

PRICE LIST CATALOGUE



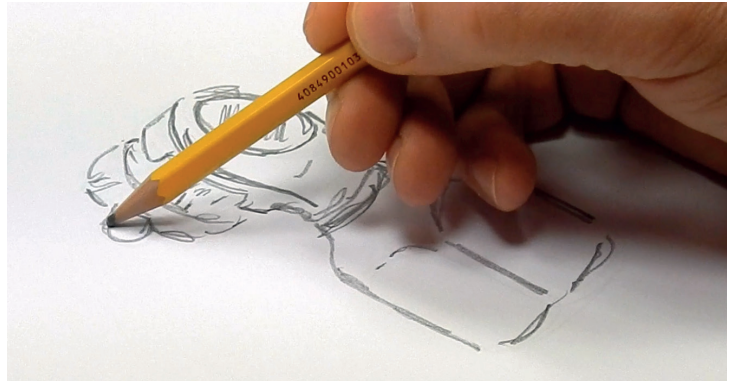


The best solutions for water treatment
in residential and industrial environments

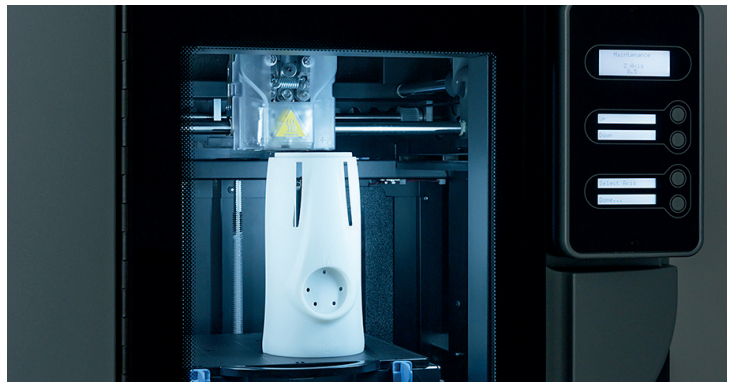


OUR MADE IN ITALY

Design



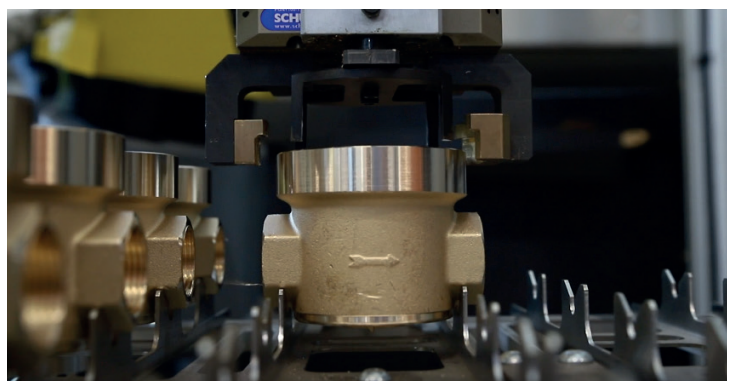
Prototyping and molds



Printing



Mechanical processing



Production



Product mixing



Training



Logistics



WHO WE ARE



ACQUA BREVETTI

is a dynamic and constantly growing company whose guiding principles are continuous innovation and quality.

The company has always focused his efforts on research and development of innovative technological solutions which led to the filing of patents and registered trademarks covering filters, dosing systems and water conditioners.

In order to ensure safe and reliable products, the design and prototyping of equipment are performed exclusively in our technical offices, using CAD-3D modern software and certified test benches.

All products designed and manufactured by Acqua Brevetti are entirely Made in Italy.



CERTIFICATIONS

Acqua Brevetti ISO 9001:2015 certified company. All moulding, machining, assembly and testing processes are placed under strict controls established by the quality management system.



Azienda certificata
ISO 9001:2015

Acqua Brevetti has started on a certification path for the schemes ISO 14001:2015 and ISO 45001:2018, demonstrating the Company's attention to the environment and good environmental practices (14001) and respect for health and safety of workers (45001).



Acqua Brevetti has adopted a Social Responsibility Management System according to the SA 8000:2014 certification, because it's important to adopt ETHICALLY correct behaviour towards all employees, demonstrating commitment to best working conditions.



Acqua Brevetti certifies hygienic safety for its products, paying the utmost attention to the entire production chain in accordance with- the Italian D.M. 174/04 and D.M. 25/12.



Based on thirty-years international production experience, which has led the company to develop products that meet the most demanding national regulations in force – worldwide - Acqua Brevetti has decided to apply a strong and simplified approach to the compliance of its products to regulations in force at international level, developing its products in order to always comply with the most demanding regulations and technical standards in the economic macro-areas that the company is approaching. For the European area, for example, any new product is developed to comply with DVGW technical standards and with KTW standard for materials features and performance in contact with water. Close collaboration with high-quality raw material suppliers and internationally renowned university departments of scientific faculties allow the company to offer products that are always at the top of quality and performance. E.g., in year 2018 Acqua Brevetti has undertaken the DVGW certification for cleaning and self-cleaning filters. This certification ensures that the filters have a very high level of structural performance according to the standards required by the main German certification body.



To get PN10 certification (maximum pressure 10 bar), filters shall withstand 30 bar constant pressure and dynamic pressure with 200.000 cycles from 1.5 bar to 13 bar, for a period of 4 seconds. To get PN16 certification (maximum pressure 16 bar), filters shall withstand 48 bar constant pressure and dynamic pressure with 200.000 cycles from 1.5 bar to 20,8 bar, for a period of 4 seconds. Again, as example, Acqua Brevetti has obtained, for the category "anti-scale systems" of the Minidue Range (cod. PM004 - PM005 and PM011S), the WRAS certification. This certification complies with the requirements in force in the United Kingdom for use with water intended for human consumption.



Acqua Brevetti is associated with Confindustria and AQUA ITALIA, as an Italian company manufacturer of water treatment equipment.



OUR ORGANIZATION

CUSTOMER CARE

commerciale@acquabrevetti.it

+39 049 8974006 option 2

ORDERS

+39 049 8974006 option 1

AFTER SALES

+39 049 8973432 direct nr.

+39 049 8974006 option 3

LEGAL WARRANTY

ACQUA BREVETTI SRL

legal warranty covers its products pursuant to the European Directive 99/44/CE.

Beneficiaries of the guarantee are only consumers, meaning any natural person using Acqua Brevetti SRL products for purposes which are not related to his trade, business, or profession.

Guarantee period is **24 months** from the date of purchase certified by tax document or documents having equivalent effect.

The guarantee covers the Acqua Brevetti SRL product and its components.

The guarantee does not cover defects of the Acqua Brevetti SRL product which:

1. depend on an incorrect installation of the product;
2. are consequence of uses not compliant with the instruction manual, tampering or consequence of an incorrect maintenance of the product;
3. derive from normal wear;
4. are related to non-functional aspects or affect the aesthetics of the product;
5. have been caused by external factors such as, by way of example, electrical or water network malfunctions, natural events, vandalism or other force majeure events;
6. prove caused by the product or the apparatus in which the product is incorporated or to which it has been connected;
7. depend on the use of Acqua Brevetti SRL non original consumables

WARRANTY EXTENSIONS

The products listed below enjoy an extended warranty.

VESSELS

VALVE (mechanical)

VALVE (electronical)

BravoCAB 10 years 5 years 3 years

BravoSTANDARD PLUS 10 years 5 years 3 years

BravoSTANDARD 5 years 2 years 2 years

PRODUCT SERIAL NUMBER

Each product is equipped with a Serial Number that serves to activate the warranty, is inserted directly through printing laser in the body of the equipment or printed on the label technical data.

Below you can see Serial Number's details:

Ex. **1111****222****06/17**

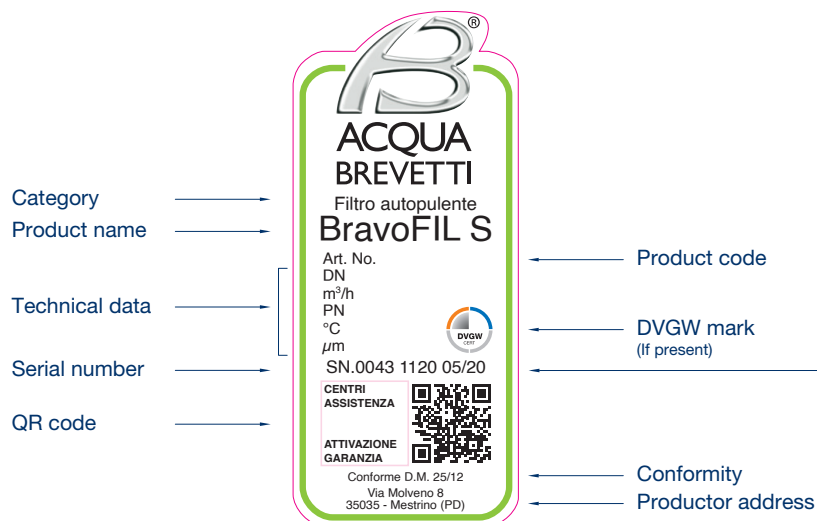
Last 4 Bar-Code numbers Batch Month/Year

SERVICE CENTER (ITALY ONLY) AND WARRANTY ACTIVATION

Each product is equipped with a QR code sticker that simplifies user access to view:

- OFFICIAL SERVICE CENTERS (ITALY ONLY)
- WARRANTY ACTIVATION

Below an example of the label:



There are two ways to activate the Acqua Brevetti guarantee:

1. Use the smartphone to frame the QR Code shown on the product label.
2. Connect to www.acquabrevetti.it and select the item "Attivazione Garanzia" in the menu and then "Registrazione Garanzia".

In both modes, a page will open where you can enter your personal data and the SN (serial number) of the purchased product. Finally click on "INVIA" and wait the confirmation message. If you don't receive any message, please contact Acqua Brevetti at servizi@acquabrevetti.it



MEANING OF THE ICONS



These symbols can be found in the TABLES of products that reach a **nominal pressure** of PN 10 or PN 16



This symbol is found in the TABLES of dedicated products for **hot water** that exceeds 30 °C



This symbol is found in the TABLES of the products that contribute to the **protection of the environment** in terms of less waste and reduced consumption



This symbol is found in the "PRATICO" TABLES to help you choose products or sizing equipment in general



This symbol is found in the "OUR BUNDLE PROPOSAL" TABLES to indicate **optimal solutions** for **purchasing products at a more convenient price**



This symbol is found in the TABLES "GUIDELINES FOR CORRECT MAINTENANCE"

Filtration	Page 1
Multi purpose device	Page 38
Water softener	Page 44
Anti-scalant system	Page 60
Water refiner and cooling gasifier systems	Page 80
Chemical conditioning	Page 90
Dirt separators and loading pumps - systems washing	Page 96
Conditioners	Page 108
Industrial filtration	Page 124
Reverse osmosis	Page 138
Professional water softening	Page 140
Professional dosing systems	Page 154
Professional chillers	Page 166
UV systems	Page 172
Legionella	Page 174
Auxiliary treatment lines and accessories	Page 182

FILTRATION

PROTECTION FILTRATION

Domestic water often contains harmful foreign bodies such as sand, flakes of oxides and coarse material which, if not removed, may cause serious damages to the system elements and to the whole system.

Such impurities can be eliminated by installing filters in compliance with current regulations. These filters must be installed upstream of the plant to protect whole water system of the house.

The current Technical Standards and Directives (European Directive 2020/2184, UNI EN 806-2 , UNI 9182 and UNI 8065:2019) require the installation of a mechanical filter. Acqua Brevetti' s cleaning and self-cleaning filters are far advanced versions developed with edge technologies (in comparison with cartridge filters). The filters are designed specifically for protection of the water system, eliminating coarse bodies such as small quantity of sand, flakes of rust and incrustations, scrap and pebbles. All our filters are equipped with semi-automatic or automatic cleaning systems able to guarantee a quick and effective cleaning both filter cartridge and the vessel. Thanks to the stainless-steel cartridge, filters can regularly undergo washing and sanitization procedures.

The standard filtration grades of the filter cartridges used are 89 or 100 microns depending on product model.

Our filters can be used to protect:

- supply and distribution systems for hot and cold domestic water
- heating and cooling installations
- distribution networks
- steam generators

Warning!

Protective filters are not suitable for filtration of water with high content of sand, silt, and suspended materials. In such cases, other filtration systems are more suitable (cyclones, multilayer filters, etc.).





- **MANUAL CLEANING, SELF CLEANING,
SEMI-AUTOMATIC AND AUTOMATIC FILTERS**
MECHANICAL FILTRATION

BRAVO

Manual cleaning filter



- ✓ compact
- ✓ small size
- ✓ dirty drain valve

CHARACTERISTICS

Bravo is a small size manual cleaning filter with dirt drain valve.

Bravo is made with brass head with threads according to EN 10226-1 and EN 228-1, bowl in Grilamid® (high strength polyamide) and built-in drain tap. The cartridge is made in stainless-steel, and it is clamped on a plastic bushing with o-ring sealing. The specific structure of the filtering cartridge makes it resistant to pressure shock eliminating problems of deformation and crushing.

Bravo is available in two models: with or without pressure gauge (measure range 0-12 bar).

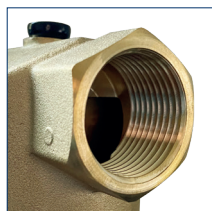
Raw water filtration occurs from IN to OUT of the stainless-steel cartridge.

Bravo is supplied with a plastic key to open the bowl and a hand brush to facilitate cleanings.

For maintenance and sanitation interventions, it is possible to contact the industry professionals.



AISI 304 stainless steel filter cartridge with o-ring seal on pinched bushing.



Thread according to EN 10226-1 and EN 228-1 Standards



Bravo filters are supplied with an opening key and a practical brush for cleaning the cartridge.

WHAT WE SUPPLY

Bravo is packed in a cardboard box; inlet and outlet connections on filter head are supplied with sealing caps preventing any contamination; they need to be removed before installation.

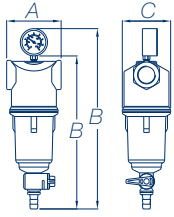
Standard supply includes Bravo filter, sump opening key, brush for cartridge cleaning, instructions for use - maintenance - assembly - installation (including declaration of conformity).

Code	Connections	Flow rate ($\Delta p = 0,5$ bar) m ³ /h	Filtration grade μm	Min/max pressure bar	Pieces per package	Kg. per package	€
FT310	1/2" F	4,2	89	1,5 - 12	12	15,6	94,00
FT312	3/4" F	6,6	89	1,5 - 12	12	15,6	97,00
FT314	1" F	8,7	89	1,5 - 12	12	15,6	99,00

Notes: 50 micron filtration degree on request

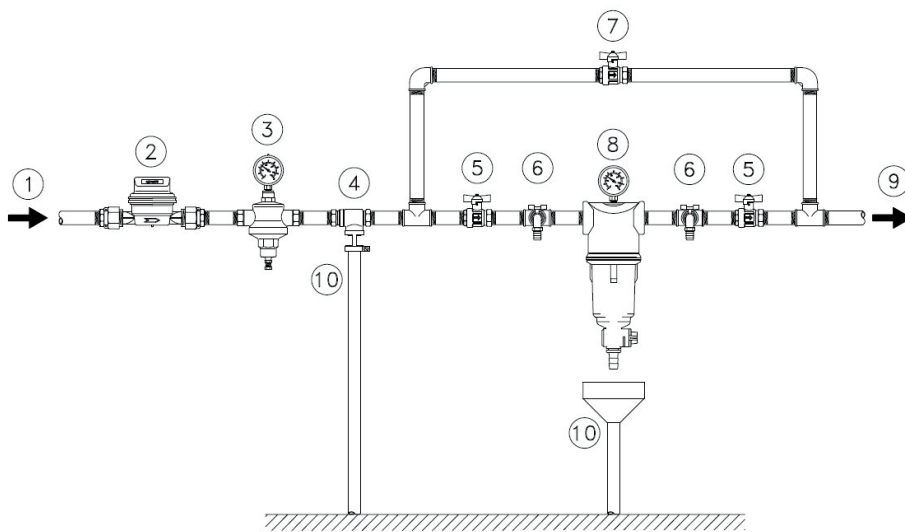
For orders, enter the degree of filtration after the code; Eg: FT312-50 - The price remains unchanged.

OVERALL DIMENSIONS EXPRESSED IN MM



Code	Width - A	Height - B	Depth - C
FT310	87	270	71
FT312	90	270	71
FT314	95	270	71

EXAMPLE OF INSTALLATION SCHEME



Legend

1. Raw water inlet
2. Main water meter
3. Pressure reducer (if any)
4. Disconnecter (if any)
5. Shut-off valve
6. Sampling tap
7. By-pass valve
8. Bravo filter
9. Treated water outlet
10. Discharge

GUIDELINES FOR CORRECT MAINTENANCE

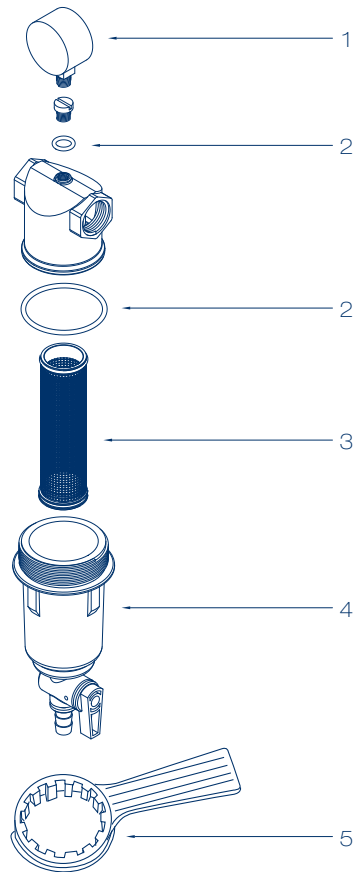


The correct operation and duration of the equipment over time depend on correct installation, proper use and methodical application of the maintenance instructions supplied.

First year	Second year	Third year	Fourth year	Fifth year
CARTRIDGE ASSEMBLY Cleaning	CARTRIDGE ASSEMBLY Cleaning	CARTRIDGE ASSEMBLY Cleaning	CARTRIDGE ASSEMBLY Cleaning	CARTRIDGE ASSEMBLY Change if necessary
SANITATION INTERVENTION Annually or for periods of inactivity exceeding 30 days	SANITATION INTERVENTION Annually or for periods of inactivity exceeding 30 days	SANITATION INTERVENTION Annually or for periods of inactivity exceeding 30 days	SANITATION INTERVENTION Annually or for periods of inactivity exceeding 30 days	SANITATION INTERVENTION When replacing the cartridge Annually or for periods of inactivity exceeding 30 days

RECOMMENDED SPARE PARTS

Pos.	Code	Description	Q.ty	€
1	23022002	Pressure gauge D. 40 / 0-12 bar	1	14,00
2	99004007	O. ring kit Bravo filter (n° 2 pieces)	1	3,80
3	99009001	Cartridge assembly 89 µm with o. ring (standard)	1	23,50
	99009003	Cartridge assembly 50 µm with o. ring	1	24,00
4	99004003	Sump assembly with o. ring and drain faucet	1	32,00
5	01022018	Key for sump opening	1	11,00



CONSUMABLES AND MAINTENANCE

Code	Description	Q.ty	€
48170005	KIT SANITY Sanitizing product for sanitation processes 1Kg. can - 4 Kg. pack	1	98,00
48105016	PEROXIDE ANALYSIS KIT for KIT SANITY The kit allows you to check whether the sanitation was done correctly	1	76,00
48500007	Food grade silicone suitable for the lubrication of mechanical parts and o.rings	1	74,00

BRAVODUE

Manual cleaning filter



- ✓ 360° swiveling attachment plate
- ✓ built-in non-return valve
- ✓ dirty drain valve

CHARACTERISTICS

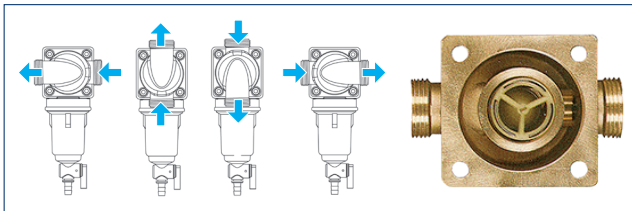
BravoDUE is manual cleaning filter with 360° adjustable wall connection plate, with built-in non-return valve and a drain valve.

BravoDUE has a brass connection plate with built-in non-return valve. The bowl is in Grilamid® (high strength polyamide) and includes a built-in drain valve. The cartridge is made in stainless-steel, and it is clamped on a plastic bushing with O-ring sealing. The specific structure of the filtering cartridge makes it resistant to pressure shock eliminating problems of deformation and crushing.

Raw water filtration occurs from OUT to IN of the stainless-steel cartridge.

BravoDUE is supplied with a plastic key to open the bowl and a hand brush to facilitate cleanings.

For maintenance and sanitation interventions, it is possible to contact the industry professionals.



360° adjustable connection plate with built-in non-return valve



Drain valve: fast cleaning

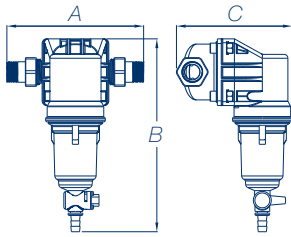
WHAT WE SUPPLY

BravoDUE is packed in a cardboard box; inlet and outlet connections on adjustable connection plate are supplied with sealing caps preventing any contamination; they need to be removed before installation.

Standard supply includes BravoDUE filter, bag with brass connections, sump opening key, instructions for use - maintenance - assembly - installation (including declaration of conformity).

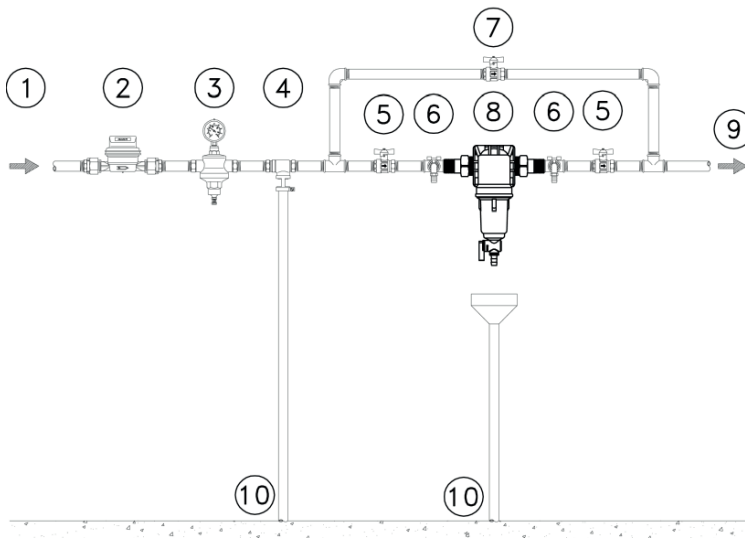
Code	Connections	Flow rate ($\Delta p = 0,5 \text{ bar}$) m^3/h	Filtration grade μm	Min/max pressure bar	Pieces per package	Kg. per package	€
FT320	3/4" M	4,2	89	1,5 - 10	10	12	135,00
FT322	1" M	4,5	89	1,5 - 10	10	12	147,00
FT324	1" 1/4 M	5,7	89	1,5 - 10	10	12	154,00

OVERALL DIMENSIONS EXPRESSED IN MM



Code	Width - A	Height - B	Depth - C
FT320	177	249	150
FT322	179	249	150
FT324	190	249	150

EXAMPLE OF INSTALLATION SCHEME



Legend

1. Raw water inlet
2. Main water meter
3. Pressure reducer (if any)
4. Disconnecter (if any)
5. Shut-off valve
6. Sampling tap
7. By-pass valve
8. BravoDUE filter
9. Treated water outlet
10. Discharge

GUIDELINES FOR CORRECT MAINTENANCE

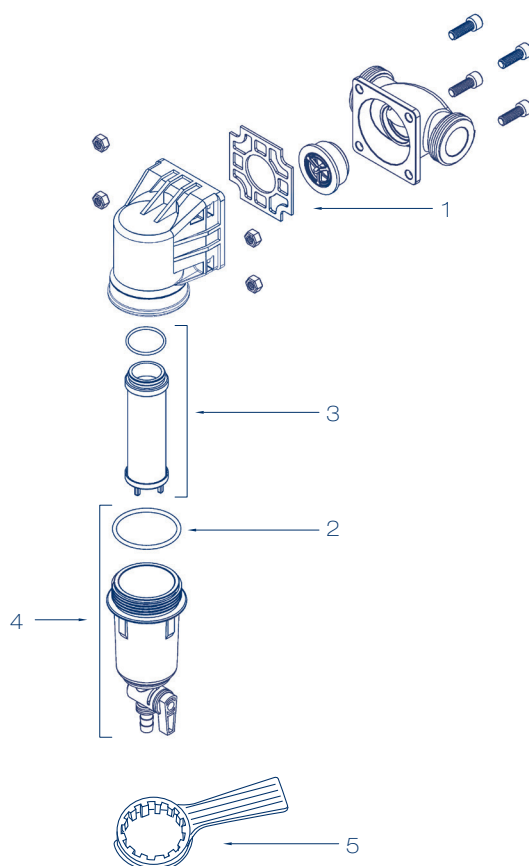


The correct operation and duration of the equipment over time depend on correct installation, proper use and methodical application of the maintenance instructions supplied.

First year	Second year	Third year	Fourth year	Fifth year
CARTRIDGE ASSEMBLY Cleaning	CARTRIDGE ASSEMBLY Cleaning	CARTRIDGE ASSEMBLY Cleaning	CARTRIDGE ASSEMBLY Cleaning	CARTRIDGE ASSEMBLY Change if necessary
SANITATION INTERVENTION Annually or for periods of inactivity exceeding 30 days	SANITATION INTERVENTION Annually or for periods of inactivity exceeding 30 days	SANITATION INTERVENTION Annually or for periods of inactivity exceeding 30 days	SANITATION INTERVENTION Annually or for periods of inactivity exceeding 30 days	SANITATION INTERVENTION When replacing the cartridge Annually or for periods of inactivity exceeding 30 days

RECOMMENDED SPARE PARTS

Pos.	Code	Description	Q.ty	€
1	17007002	Shaped gasket for filter head	1	5,00
2	17022017	O. ring 161	1	1,40
3	99009005	Cartridge assembly 89 µm with o. ring (standard)	1	18,00
4	99004003	Sump assembly with o. ring and drain faucet	1	32,00
5	01022018	Key for sump opening	1	11,00



CONSUMABLES AND MAINTENANCE

Code	Description	Q.ty	€
48170005	KIT SANITY Sanitizing product for sanitation processes 1 Kg. can - 4 Kg. pack	1	98,00
48105016	PEROXIDE ANALYSIS KIT for KIT SANITY The kit allows you to check whether the sanitation was done correctly	1	76,00
48500007	Food grade silicone suitable for the lubrication of mechanical parts and o.rings	1	74,00

PULIFIL

Semi-automatic self cleaning filter



- ✓ robust and compact
- ✓ cartridge brushing system and dirty discharge in a single operation
- ✓ excellent courses
- ✓ calendar date marker to indicate the sanitation cycle

CHARACTERISTICS

PuliFIL is a semi-automatic self-cleaning filter with high flow rate, With a patented brushing system, cleaning of the filter and a discharge of the dirt at the same time.

PuliFIL is made with brass head with threads according to EN 10226-1 and EN 228-1. The bowl is made of Grilamid® (high strength polyamide) and nylon cleaning brushes.

The cartridge is made of stainless-steel. The specific structure of the filtering cartridge makes it resistant to pressure shock eliminating problems of deformation and crushing.

1" 1/2 and 2" models are equipped with 2 pressure gauges, tangs and nuts.

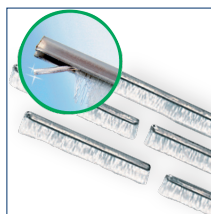
The cleaning of the PuliFIL is easy and immediate: it is enough to rotate clockwise the upper knob.

Raw water filtration occurs from OUT to IN of the stainless-steel cartridge.

For maintenance and sanitation interventions, it is possible to contact the industry professionals.



Cleaning of filtering cartridge



The filter is equipped with 5 brushes for cleaning the filter cartridge; the brushes can be equipped with silver wire to prevent bacterial proliferation inside the filter



Calendar date marker

WHAT WE SUPPLY

PuliFIL is packed in a cardboard box; inlet and outlet connections on filter head are supplied with sealing caps preventing any contamination; they need to be removed before installation.

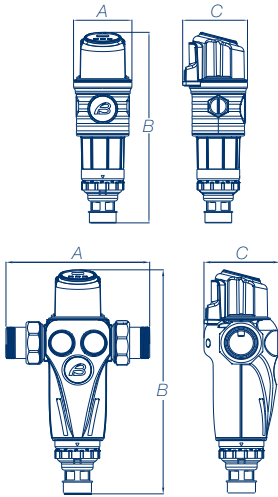
Standard supply includes PuliFIL filter, bag with brass connections kit (only for units with 1 1/2" – 2" connection), instructions for use - maintenance - assembly - installation (including declaration of conformity).

Code	Connections	Flow rate ($\Delta p = 0,5 \text{ bar}$) m^3/h	Filtration grade μm	Min/max pressure bar	Pieces per package	Kg. per package	€
FT010	3/4" F	6,4	89	1,5 - 16	8	11	177,00
FT012	1" F	9,6	89	1,5 - 16	8	11	182,00
FT014	1 1/4" F	10,6	89	1,5 - 16	8	14	188,00
FT016	1 1/2" M	22,0	89	1,5 - 16	4	20	498,00
FT018	2" M	22,6	89	1,5 - 16	4	20	518,00

Remark: upon request 30 – 50- and 150-micron filtration rating available

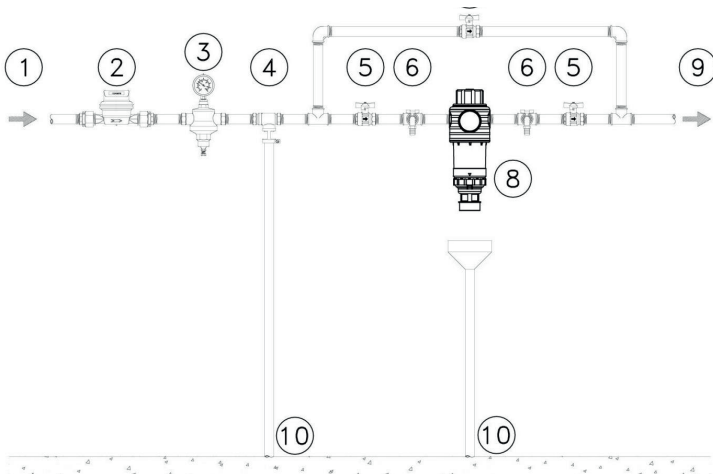
When placing orders, please specify the filtration required rating after the product nr. E. g. FT012-50. Price will not vary

OVERALL DIMENSIONS EXPRESSED IN MM



Code	Width - A	Height - B	Depth - C
FT360	110	366	122
FT362	110	366	122
FT364	110	366	122
FT366	265	416	140
FT368	265	416	140

EXAMPLE OF INSTALLATION SCHEME



Legend

1. Raw water inlet
2. Main water meter
3. Pressure reducer (if any)
4. Disconnecter (if any)
5. Shut-off valve
6. Sampling tap
7. By-pass valve
8. PuliFIL filter
9. Treated water outlet
10. Discharge

GUIDELINES FOR CORRECT MAINTENANCE

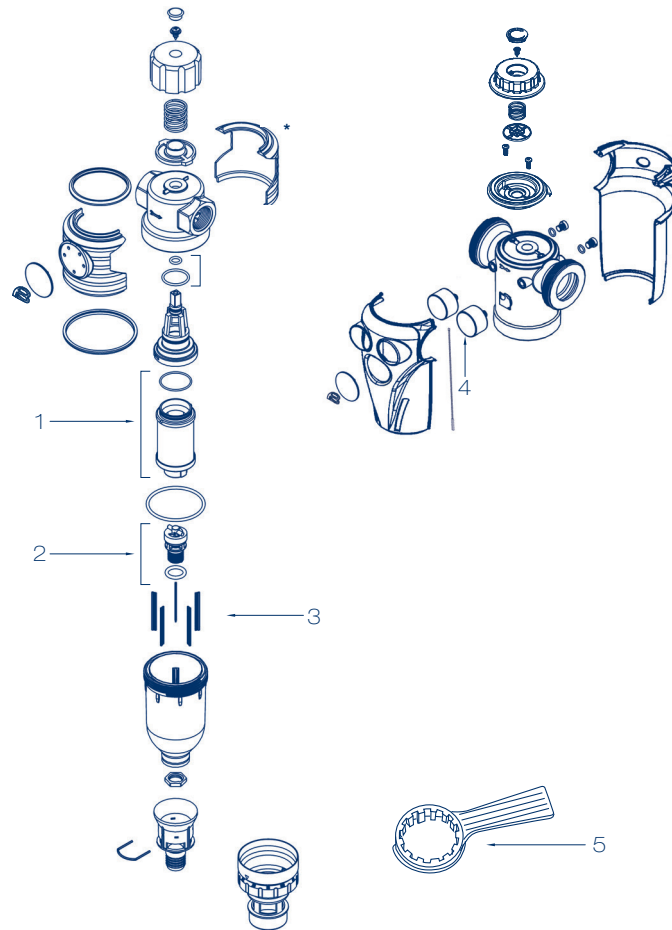


The correct operation and duration of the equipment over time depend on correct installation, proper use and methodical application of the maintenance instructions supplied.

First year	Second year	Third year	Fourth year	Fifth year
CARTRIDGE ASSEMBLY Cleaning	CARTRIDGE ASSEMBLY Cleaning	CARTRIDGE ASSEMBLY Cleaning	CARTRIDGE ASSEMBLY Cleaning	CARTRIDGE ASSEMBLY Change if necessary
SANITATION INTERVENTION Annually or for periods of inactivity exceeding 30 days	SANITATION INTERVENTION Annually or for periods of inactivity exceeding 30 days	SANITATION INTERVENTION Annually or for periods of inactivity exceeding 30 days	SANITATION INTERVENTION Annually or for periods of inactivity exceeding 30 days	SANITATION INTERVENTION When replacing the cartridge Annually or for periods of inactivity exceeding 30 days

RECOMMENDED SPARE PARTS

Pos.	Code	Description	Q.ty	€
1	99022009	Cartridge assembly 100 µm - ¾" - 1" - 1" ¼ (standard)	1	32,00
	99003002	Cartridge assembly 30 µm - ¾" - 1" - 1" ¼	1	27,00
	99003003	Cartridge assembly 50 µm - ¾" - 1" - 1" ¼	1	27,00
	99003010	Cartridge assembly 150 µm - ¾" - 1" - 1" ¼	1	27,00
	99003005	Cartridge assembly 100 µm - 1" ½ - 2" (standard)	1	32,00
	99003006	Cartridge assembly 30 µm - 1" ½ - 2"	1	36,00
	99003009	Cartridge assembly 50 µm - 1" ½ - 2"	1	36,00
	99003011	Cartridge assembly 150 µm - 1" ½ - 2"	1	36,00
2	99022001	Drain assembly with o. ring	1	29,00
3	24022002	Brush L.61 - ¾" - 1" - 1" ¼	5	5,00
	99022005	Brush L.61 - ¾" - 1" - 1" ¼ (DVGW version)	5	6,80
	24022003	Brush L.123 - 1" ½ - 2"	5	7,00
	24022002ARG	Brush L.61 with silver threads - ¾" - 1" - 1" ¼	5	5,80
	24022003ARG	Brush L.123 with silver threads - 1" ½ - 2"	5	7,80
4	23022032	Front pressure gauge Ø 40	2	15,60
5	01022020	Key for sump opening	1	14,00



CONSUMABLES AND MAINTENANCE

Code	Description	Q.ty	€
48170005	KIT SANITY Sanitizing product for sanitation processes 1 Kg. can - 4 Kg. pack	1	98,00
48105016	PEROXIDE ANALYSIS KIT for KIT SANITY The kit allows you to check whether the sanitation was done correctly	1	76,00
48500007	Food grade silicone suitable for the lubrication of mechanical parts and o.rings	1	74,00

PULIMATIC

Automatic self cleaning filter



- ✓ automatic washing and brushing of the cartridge
- ✓ customized backwash programming, wash cycle with 3 rotations
- ✓ high flow rates
- ✓ calendar date marker to indicate the sanitation cycle

CHARACTERISTICS

PuliMATIC is an automatic self-cleaning filter with high flow rate, with a patented brushing system, cleaning of the filter and dirt discharging occurring at the same time and by means of electronic control system.

PuliMATIC is made with brass head with threads according to EN 10226-1 and EN 228-1, Bowl in Grilamid® (high strength polyamide) and nylon cleaning brushes.

The cartridge is made in stainless steel. The specific structure of the filtering cartridge makes it resistant to pressure shock eliminating problems of deformation and crushing. 1" 1/2 and 2" models are equipped with 2 pressure gauges, tangs, and nuts.

The cleaning of PuliMATIC is completely automatic: cartridge brushing and dirt discharge at the same time due to electronic control. Default settings: cleaning every 4 days with 3 rotations of the brushing system. Customizable washing time and manual cleaning activation possibility. 89-micron filtration rating.

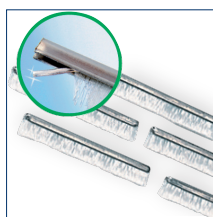
Cleaning time: 19 seconds. Water consumption per cleaning: 14 lt. (with a 6 Bar inlet pressure). No anti-flooding system.

Raw water filtration occurs from OUT to IN of the stainless-steel cartridge.

For maintenance and sanitation interventions, it is possible to contact the industry professionals.



Cleaning of the filtering cartridge



The filter is equipped with 5 brushes for cleaning the filter cartridge; the brushes can be equipped with silver wire to prevent bacterial proliferation inside the filter



Calendar date marker

WHAT WE SUPPLY

PuliMATIC is packed in a cardboard box; inlet and outlet connections on filter head are supplied with sealing caps preventing any contamination; they need to be removed before installation.

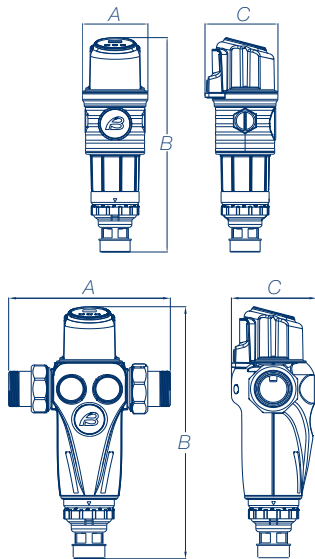
Standard supply includes PuliMATIC filter, bag with brass connections kit (only for units with 1 1/2" – 2" connection), power supply, instructions for use - maintenance - assembly - installation (including declaration of conformity).

Code	Connections	Flow rate ($\Delta p = 0,5 \text{ bar}$) m^3/h	Filtration grade μm	Min/max pressure bar	Pieces per package	Kg. per package	€
FT360	3/4" F	6,4	89	1,5 - 16	1	1,5	574,00
FT362	1" F	9,6	89	1,5 - 16	1	1,5	595,00
FT364	1 1/4" F	10,6	89	1,5 - 16	1	2	610,00
FT366	1 1/2" M	22,0	89	1,5 - 16	1	5	988,00
FT368	2" M	22,6	89	1,5 - 16	1	5	1.018,00

Remark: upon request 30 – 50- and 150-micron filtration rating available

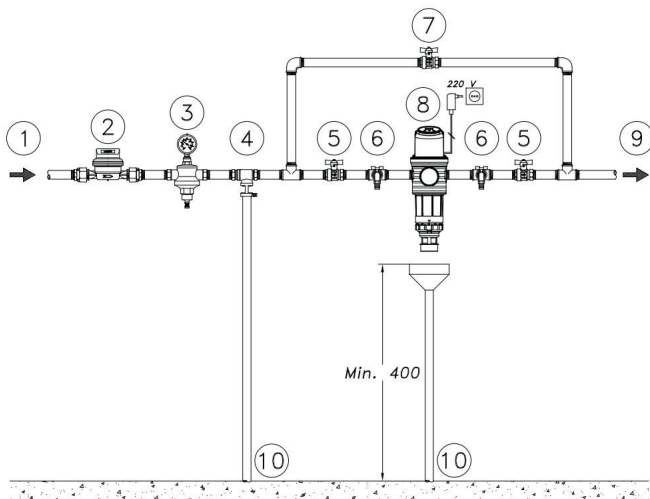
When placing orders, please specify the filtration required rating after the product nr. E. g. FT362-50. Price will not vary.

OVERALL DIMENSIONS EXPRESSED IN MM



Code	Width - A	Height - B	Depth - C
FT360	110	366	122
FT362	110	366	122
FT364	110	366	122
FT366	265	416	140
FT368	265	416	140

EXAMPLE OF INSTALLATION SCHEME



Legend

1. Raw water inlet
2. Main water meter
3. Pressure reducer (if any)
4. Disconnecter (if any)
5. Shut-off valve
6. Sampling tap
7. By-pass valve
8. PuliMATIC filter
9. Treated water outlet
10. Discharge

GUIDELINES FOR CORRECT MAINTENANCE

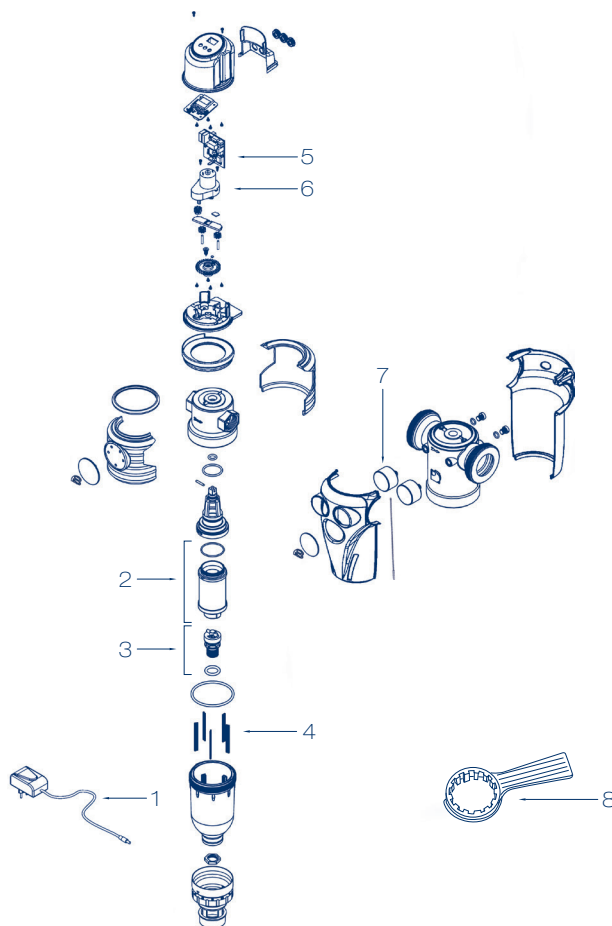


The correct operation and duration of the equipment over time depend on correct installation, proper use and methodical application of the maintenance instructions supplied.

First year	Second year	Third year	Fourth year	Fifth year
CARTRIDGE ASSEMBLY Cleaning	CARTRIDGE ASSEMBLY Cleaning	CARTRIDGE ASSEMBLY Cleaning	CARTRIDGE ASSEMBLY Cleaning	CARTRIDGE ASSEMBLY Change if necessary
SANITATION INTERVENTION Annually or for periods of inactivity exceeding 30 days	SANITATION INTERVENTION Annually or for periods of inactivity exceeding 30 days	SANITATION INTERVENTION Annually or for periods of inactivity exceeding 30 days	SANITATION INTERVENTION Annually or for periods of inactivity exceeding 30 days	SANITATION INTERVENTION When replacing the cartridge Annually or for periods of inactivity exceeding 30 days

RECOMMENDED SPARE PARTS

Pos.	Code	Description	Q.ty	€
1	99022030	230V Power supply assembly (standard)	1	40,00
	23022043	Universal power supply 100-240V (Cina - Australia)	1	44,00
2	99022009	Cartridge assembly 100 µm - ¾" - 1" - 1" ¼ (standard)	1	32,00
	99003002	Cartridge assembly 30 µm - ¾" - 1" - 1" ¼	1	27,00
	99003003	Cartridge assembly 50 µm - ¾" - 1" - 1" ¼	1	27,00
	99003010	Cartridge assembly 150 µm - ¾" - 1" - 1" ¼	1	27,00
	99003005	Cartridge assembly 100 µm - 1" ½ - 2" (standard)	1	32,00
	99003006	Cartridge assembly 30 µm - 1" ½ - 2"	1	36,00
	99003009	Cartridge assembly 50 µm - 1" ½ - 2"	1	36,00
	99003011	Cartridge assembly 150 µm - 1" ½ - 2"	1	36,00
3	99022001	Drain assembly with o. ring	1	29,00
4	24022002	Brush L.61 - ¾" - 1" - 1" ¼	5	5,00
	99022005	Brush L.61 - ¾" - 1" - 1" ¼ (DVGW version)	5	6,80
	24022003	Brush L.123 - 1" ½ - 2"	5	7,00
	24022002ARG	Brush L.61 with silver thread - ¾" - 1" - 1" ¼	5	5,80
	24022003ARG	Brush L.123 with silver thread - 1" ½ - 2"	5	7,80
5	23022044	Fixed connector circuit	1	64,00
6	99003025	Gearmotor assembly	1	80,00
7	23022032	Front pressure gauge Ø 40	2	15,60
8	01022020	Key for sump opening	1	14,00



CONSUMABLES AND MAINTENANCE

Code	Description	Q.ty	€
48170005	KIT SANITY Sanitizing product for sanitation processes 1 Kg. can - 4 Kg. pack	1	98,00
48105016	PEROXIDE ANALYSIS KIT for KIT SANITY The kit allows you to check whether the sanitation was done correctly	1	76,00
48500007	Food grade silicone suitable for the lubrication of mechanical parts and o.rings	1	74,00

BRAVOFIL S

Semi-automatic self cleaning filter



- ✓ brushing and washing system of the cartridge with filtered water
- ✓ 360° adjustable connection plate
- ✓ calendar date marker to indicate the sanitation cycle

CHARACTERISTICS

BravoFIL S is a semi-automatic self-cleaning filter with 360° adjustable connection plate.

Offering a patented brushing system performed by using clean water, with simultaneous Backwash cleaning system of the cartridge and discharging of the dirt.

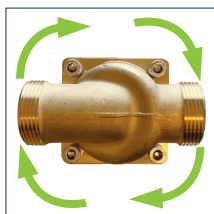
BravoFIL S is made with brass connection plate with threads according to EN 10226-1 and EN 228-1, Bowl in Grilamid® (high strength polyamide) and nylon cleaning brushes.

The cartridge is made in stainless steel. The specific structure of the filtering cartridge makes it resistant to pressure shock eliminating problems of deformation and crushing. All models are equipped with tangs and nuts.

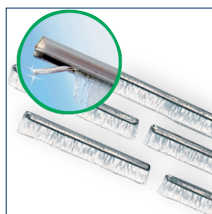
The self-cleaning system starts the backwash with clean water and the cartridge brushing at the same time.

Raw water filtration occurs from OUT to IN of the stainless-steel cartridge.

For maintenance and sanitation interventions, it is possible to contact the industry professionals.



360° adjustable connection plate



The filter is equipped with 5 brushes for cleaning the filter cartridge; the brushes can be equipped with silver wire to prevent bacterial proliferation inside the filter



Calendar date marker

WHAT WE SUPPLY

BravoFIL S is packed in a cardboard box; inlet and outlet connections on adjustable connection plate are supplied with sealing caps preventing any contamination; they need to be removed before installation.

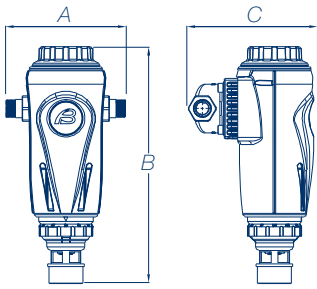
Standard supply includes: BravoFIL S filter, bag with brass connections kit, instructions for use - maintenance - assembly - installation (including declaration of conformity).

Code	Connections	Flow rate ($\Delta p = 0,5 \text{ bar}$) m^3/h	Filtration grade μm	Min/max pressure bar	Pieces per package	Kg. per package	€
FT020S	3/4" M	5,9	100	1,5 - 16	6	10	273,00
FT022S	1" M	7,5	100	1,5 - 16	6	10	289,00
FT024S	1 1/4" M	8,0	100	1,5 - 16	6	11	299,00

Remark: upon request 30 – 50- and 150-micron filtration rating available

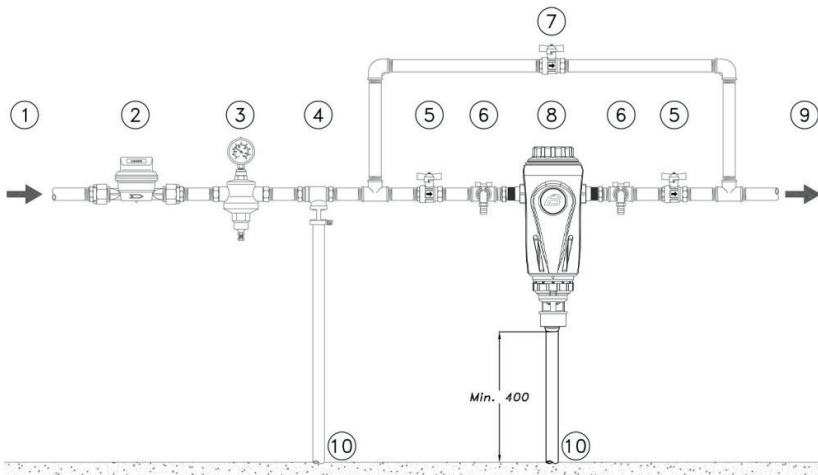
When placing orders, please specify the filtration required rating after the product nr. E. g. FT022S-50. Price will not vary

OVERALL DIMENSIONS EXPRESSED IN MM



Code	Width - A	Height - B	Depth - C
FT020S	177	344	190
FT022S	179	344	190
FT024S	190	344	190

EXAMPLE OF INSTALLATION SCHEME



Legend

1. Raw water inlet
2. Main water meter
3. Pressure reducer (if any)
4. Disconnecter (if any)
5. Shut-off valve
6. Sampling tap
7. By-pass valve
8. BravoFIL S filter
9. Treated water outlet
10. Discharge

GUIDELINES FOR CORRECT MAINTENANCE

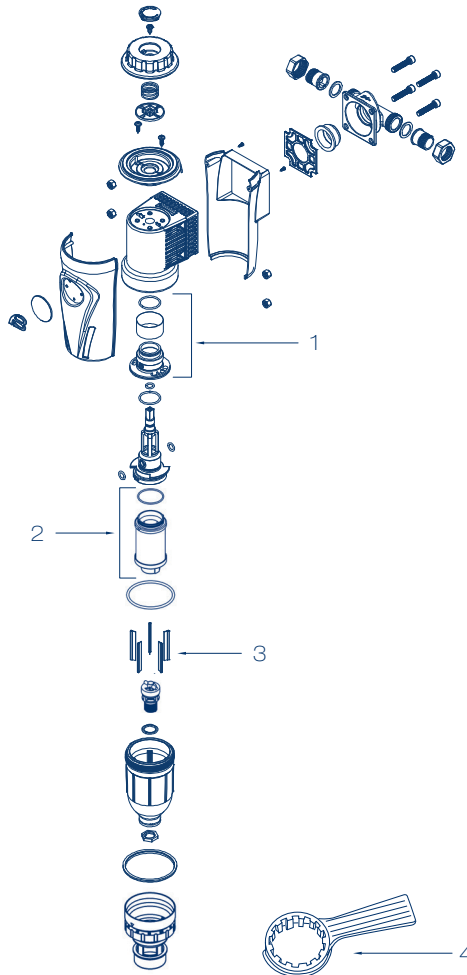


The correct operation and duration of the equipment over time depend on correct installation, proper use and methodical application of the maintenance instructions supplied.

First year	Second year	Third year	Fourth year	Fifth year
CARTRIDGE ASSEMBLY Cleaning	CARTRIDGE ASSEMBLY Cleaning	CARTRIDGE ASSEMBLY Cleaning	CARTRIDGE ASSEMBLY Cleaning	CARTRIDGE ASSEMBLY Change if necessary
SANITATION INTERVENTION Annually or for periods of inactivity exceeding 30 days	SANITATION INTERVENTION Annually or for periods of inactivity exceeding 30 days	SANITATION INTERVENTION Annually or for periods of inactivity exceeding 30 days	SANITATION INTERVENTION Annually or for periods of inactivity exceeding 30 days	SANITATION INTERVENTION When replacing the cartridge Annually or for periods of inactivity exceeding 30 days

RECOMMENDED SPARE PARTS

Pos.	Code	Description	Q.ty	€
1	99007027	Bushing assembly with cartridge reduction 100 µm with o. ring	1	18,00
2	99022009	Cartridge assembly 100 µm	1	32,00
3	99022005	Brush L.61 - ¾" - 1" - 1" ¼ (standard)	5	6,80
	24022002ARG	Brush L.61 with silver thread - ¾" - 1" - 1" ¼	5	5,80
4	01022020	Key for sump opening	1	14,00



CONSUMABLES AND MAINTENANCE

Code	Description	Q.ty	€
48170005	KIT SANITY Sanitizing product for sanitation processes 1 Kg. can - 4 Kg. pack	1	98,00
48105016	PEROXIDE ANALYSIS KIT for KIT SANITY The kit allows you to check whether the sanitation was done correctly	1	76,00
48500007	Food grade silicone suitable for the lubrication of mechanical parts and o.rings	1	74,00

BRAVOFIL

Semi-automatic self cleaning filter



- ✓ cartridge brushing and backwashing system with filtered water
- ✓ 360° rotatable connection plate with built-in non-return valve
- ✓ calendar date marker to indicate the sanitation cycle

CHARACTERISTICS

BravoFIL is a semi-automatic self-cleaning filter with 360° adjustable connection plate.

Offering a patented brushing system performed by using clean water, with simultaneous Backwash cleaning system of the cartridge and discharging of the dirt.

BravoFIL is made with brass connection plate with threads according to EN 10226-1 and EN 228-1, Bowl in Grilamid® (high strength polyamide) and nylon cleaning brushes.

The cartridge is made in stainless steel. The specific structure of the filtering cartridge makes it resistant to pressure shock eliminating problems of deformation and crushing. All models are equipped with tangs and nuts.

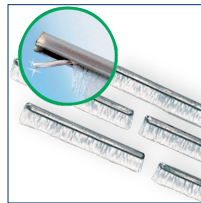
The self-cleaning system starts the backwash with clean water and the cartridge brushing at the same time.

Raw water filtration occurs from OUT to IN of the stainless-steel cartridge.

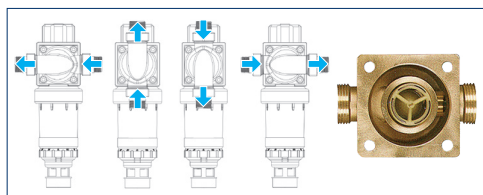
For maintenance and sanitation interventions, it is possible to contact the industry professionals.



Double cleaning internal turbojet cartridge + external brushing



The filter is equipped with 5 brushes for cleaning the filter cartridge; the brushes can be equipped with silver wire to prevent bacterial proliferation inside the filter



360° swiveling plate with built-in non-return valve

WHAT WE SUPPLY

BravoFIL is packed in a cardboard box; inlet and outlet connections on adjustable connection plate are supplied with sealing caps preventing any contamination; they need to be removed before installation.

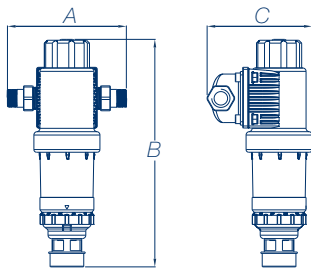
Standard supply includes: BravoFIL S filter, bag with brass connections kit, instructions for use - maintenance - assembly - installation (including declaration of conformity).

Code	Connections	Flow rate ($\Delta p = 0,5 \text{ bar}$) m^3/h	Filtration grade μm	Min/max pressure bar	Pieces per package	Kg. per package	€
FT020	3/4" M	3,2	100	1,5 - 10	8	10	252,00
FT022	1" M	4,5	100	1,5 - 10	8	10	264,00
FT024	1 1/4" M	5,0	100	1,5 - 10	8	11	271,00

Remark: upon request 30 – 50- and 150-micron filtration rating available

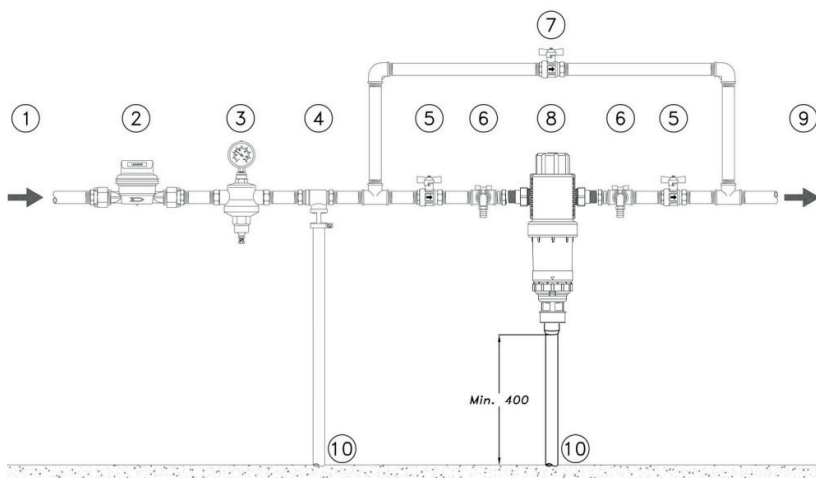
When placing orders, please specify the filtration required rating after the product nr. E. g. FT022-50. Price will not vary

OVERALL DIMENSIONS EXPRESSED IN MM



Code	Width - A	Height - B	Depth - C
FT020	177	350	136
FT022	179	350	136
FT024	190	350	136

EXAMPLE OF INSTALLATION SCHEME



Legend

1. Raw water inlet
2. Main water meter
3. Pressure reducer (if any)
4. Disconnecter (if any)
5. Shut-off valve
6. Sampling tap
7. By-pass valve
8. BravoFIL filter
9. Treated water outlet
10. Discharge

GUIDELINES FOR CORRECT MAINTENANCE

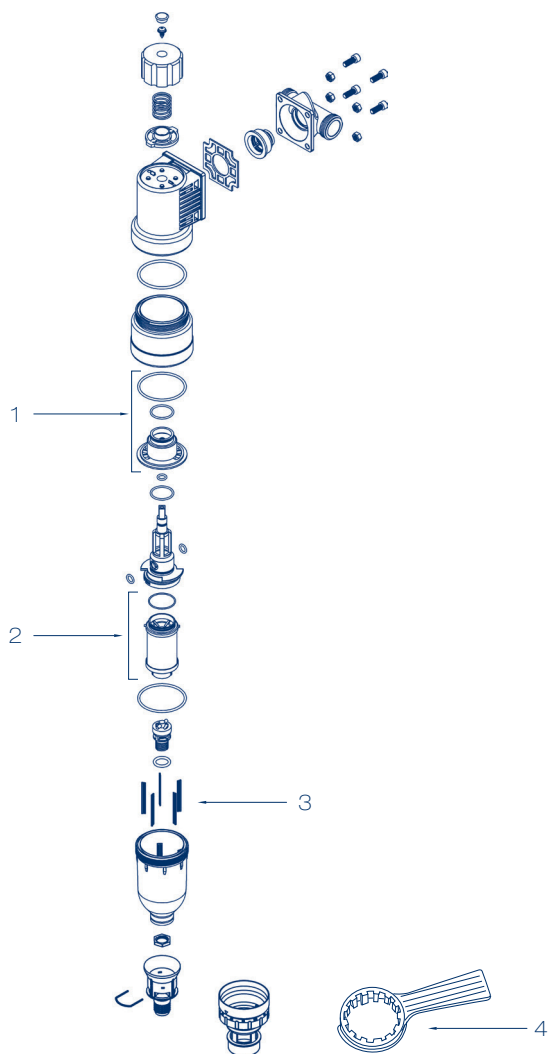


The correct operation and duration of the equipment over time depend on correct installation, proper use and methodical application of the maintenance instructions supplied.

First year	Second year	Third year	Fourth year	Fifth year
CARTRIDGE ASSEMBLY Cleaning	CARTRIDGE ASSEMBLY Cleaning	CARTRIDGE ASSEMBLY Cleaning	CARTRIDGE ASSEMBLY Cleaning	CARTRIDGE ASSEMBLY Change if necessary
SANITATION INTERVENTION Annually or for periods of inactivity exceeding 30 days	SANITATION INTERVENTION Annually or for periods of inactivity exceeding 30 days	SANITATION INTERVENTION Annually or for periods of inactivity exceeding 30 days	SANITATION INTERVENTION Annually or for periods of inactivity exceeding 30 days	SANITATION INTERVENTION When replacing the cartridge Annually or for periods of inactivity exceeding 30 days

RECOMMENDED SPARE PARTS

Pos.	Code	Description	Q.ty	€
1	99007014	Bushing assembly with cartridge 100 µ with o. ring	1	20,00
2	99007007	Cartridge assembly 100 µm - ¾" - 1" - 1" ¼ (standard)	1	34,00
	99007008	Cartridge assembly 30 µm - ¾" - 1" - 1" ¼	1	36,00
	99007009	Cartridge assembly 50 µm - ¾" - 1" - 1" ¼	1	36,00
	99007012	Cartridge assembly 150 µm - ¾" - 1" - 1" ¼	1	36,00
3	24022002	Brush L. 61 - ¾" - 1" - 1" ¼ (standard)	5	5,00
	24022002ARG	Brush L. 61 with silver thread - ¾" - 1" - 1" ¼	5	5,80
4	01022020	Key for sump opening	1	14,00



CONSUMABLES AND MAINTENANCE

Code	Description	Q.ty	€
48170005	KIT SANITY Sanitizing product for sanitation processes 1 Kg. can - 4 Kg. pack	1	98,00
48105016	PEROXIDE ANALYSIS KIT for KIT SANITY The kit allows you to check whether the sanitation was done correctly	1	76,00
48500007	Food grade silicone suitable for the lubrication of mechanical parts and o.rings	1	74,00

BRAVOFIL PLUS

Semi-automatic self cleaning filter with integrated pressure reducer



- ✓ brushing and washing system of the cartridge with filtered water
- ✓ 360° adjustable connection plate
- ✓ calendar date marker to indicate the sanitation cycle
- ✓ built-in pressure reducer

CHARACTERISTICS

BravoFIL PLUS is a semi-automatic self-cleaning filter with 360° adjustable connection plate and pressure reducer. Offering a patented brushing system performed by using clean water, with simultaneous Backwash cleaning system of the cartridge and discharging of the dirt.

BravoFIL is made with brass connection plate with threads according to EN 10226-1 and EN 228-1, Bowl in Grilamid® (high strength polyamide) and nylon cleaning brushes.

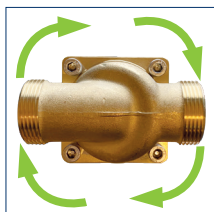
The cartridge is made in stainless steel. The specific structure of the filtering cartridge makes it resistant to pressure shock eliminating problems of deformation and crushing. All models are equipped with tangs and nuts.

The self-cleaning system starts the backwash with clean water and the cartridge brushing at the same time.

Built-in pressure reducer: regulation between 1,5 and 6 bas of outlet pressure. Default settings: 3 bar.

Raw water filtration occurs from OUT to IN of the stainless-steel cartridge.

For maintenance and sanitation interventions, it is possible to contact the industry professionals.



360° adjustable connection plate



Pressure reducer



The filter is equipped with 5 brushes for cleaning the filter cartridge; the brushes can be equipped with silver wire to prevent bacterial proliferation inside the filter

WHAT WE SUPPLY

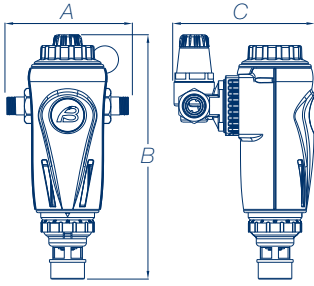
BravoFIL PLUS is packed in a cardboard box, the inlet and outlet of the filter attachment plate are equipped with sealing caps that avoid any external contamination, to be removed at the time of installation).

Code	Connections	Flow rate ($\Delta p = 0,5 \text{ bar}$) m^3/h	Filtration grade μm	Min/max pressure bar	Pieces per package	Kg. per package	€
FT120	3/4" M	2,3	89	1,5 - 16	6	12	304,00
FT122	1" M	3,6	89	1,5 - 16	6	12	310,00
FT124	1 1/4" M	5,8	89	1,5 - 16	6	12	318,00

Remark: upon request 30 – 50- and 150-micron filtration rating available

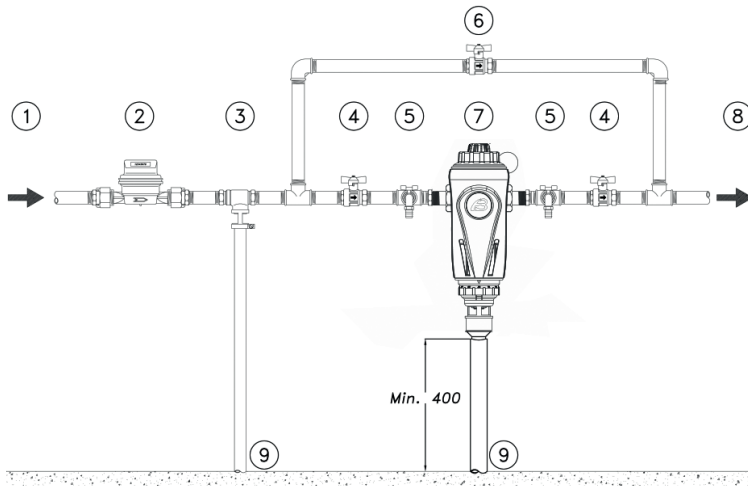
When placing orders, please specify the filtration required rating after the product nr. E. g. FT122-50. Price will not vary

OVERALL DIMENSIONS EXPRESSED IN MM



Code	Width - A	Height - B	Depth - C
FT120	177	358	209
FT122	179	358	209
FT124	190	358	209

EXAMPLE OF INSTALLATION SCHEME



Legend

1. Raw water inlet
2. Main water meter
3. Disconnecter
4. Shut-off valve
5. Sampling tap
6. By-pass valve
7. BravoFIL PLUS filter
8. Treated water outlet
9. Discharge

GUIDELINES FOR CORRECT MAINTENANCE

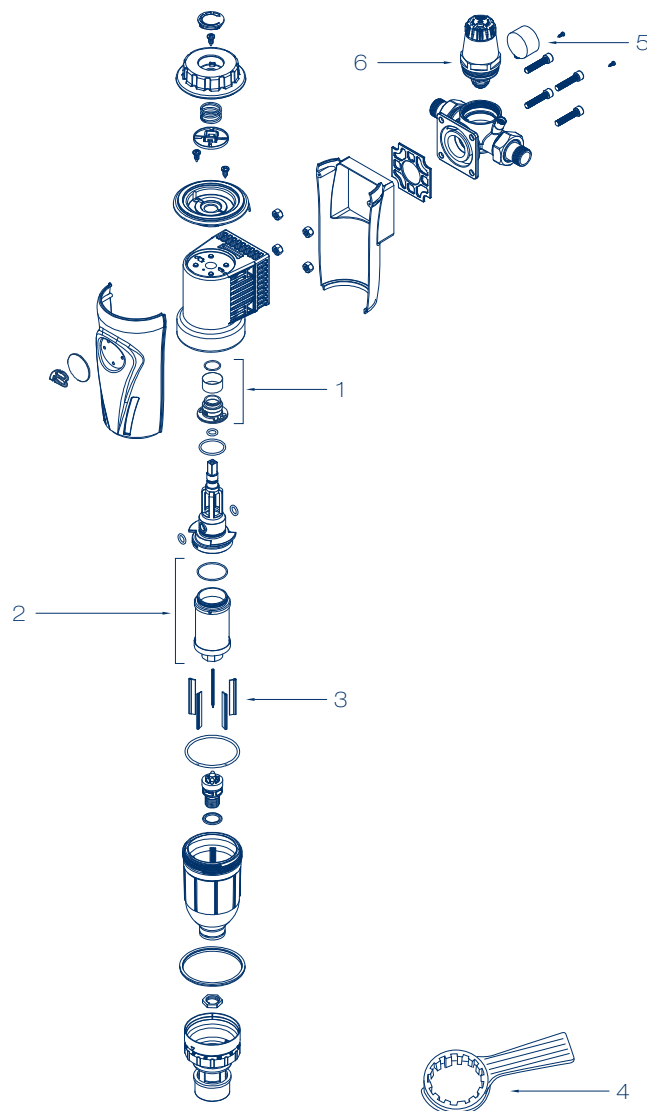


The correct operation and duration of the equipment over time depend on correct installation, proper use and methodical application of the maintenance instructions supplied.

First year	Second year	Third year	Fourth year	Fifth year
CARTRIDGE ASSEMBLY Cleaning	CARTRIDGE ASSEMBLY Cleaning	CARTRIDGE ASSEMBLY Cleaning	CARTRIDGE ASSEMBLY Cleaning	CARTRIDGE ASSEMBLY Change if necessary
SANITATION INTERVENTION Annually or for periods of inactivity exceeding 30 days	SANITATION INTERVENTION Annually or for periods of inactivity exceeding 30 days	SANITATION INTERVENTION Annually or for periods of inactivity exceeding 30 days	SANITATION INTERVENTION Annually or for periods of inactivity exceeding 30 days	SANITATION INTERVENTION When replacing the cartridge Annually or for periods of inactivity exceeding 30 days

RECOMMENDED SPARE PARTS

Pos.	Code	Description	Q.ty	€
1	99007027	Bushing assembly cartridge 100 µm with o. ring	1	18,00
2	99007007	Cartridge assembly 100 µm - ¾" - 1" - 1" ¼ (standard)	1	34,00
	99007008	Cartridge assembly 30 µm - ¾" - 1" - 1" ¼	1	36,00
	99007009	Cartridge assembly 50 µm - ¾" - 1" - 1" ¼	1	36,00
	99007012	Cartridge assembly 150 µm - ¾" - 1" - 1" ¼	1	36,00
3	24022002	Brush L. 61	5	5,00
	24022002ARG	Brush L. 61 with silver thread - ¾" - 1" - 1" ¼	5	5,80
4	01022020	Sump opening key	1	14,00
5	23022002	Pressure gauge D. 40 - 0-12 bar	1	14,00
6	23022029	Complete pressure reducer assembly	1	40,00



CONSUMABLES AND MAINTENANCE

Code	Description	Q.ty	€
48170005	KIT SANITY Sanitizing product for sanitation processes 1 Kg. can - 4 Kg. pack	1	98,00
48105016	PEROXIDE ANALYSIS KIT for KIT SANITY The kit allows you to check whether the sanitation was done correctly	1	76,00
48500007	Food grade silicone suitable for the lubrication of mechanical parts and o.rings	1	74,00

BRAVOMATIC

Automatic self-cleaning filter



- ✓ automatic backwash with filtered water and brushing of the cartridge
- ✓ customized backwash programming; wash cycle with 3 rotation and internal lighting
- ✓ external cover of the equipment for UV protection of the filter cartridge
- ✓ date ring to indicate the sanitation cycle

CHARACTERISTICS

BravoMATIC is an automatic self-cleaning filter with 360° adjustable connection plate and pressure reducer.

Cleaning of the stainless-steel cartridge occurs by means of a patented brushing system performed by using clean water, with simultaneous Backwash cleaning system and automatic discharging of the dirt.

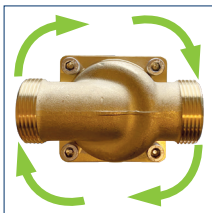
BravoMATIC is made with brass connection plate with threads according to EN 10226-1 and EN 228-1, Bowl in Grilamid® (high strength polyamide) and nylon cleaning brushes.

The cartridge is in stainless steel welded on an expanded support mesh. The specific structure of the filtering cartridge makes it resistant to pressure shock eliminating problems of deformation and crushing. All models are equipped with tangs and nuts.

The BravoMATIC washing cycle involves brushing and backwashing the cartridge; the automatic opening of the drain valve (located on the bottom of the vessel) creates a high-speed tangential flow that removes the impurities accumulated in the filter vessel.

BravoMATIC is available in a single version with programmable operating cycles; a wash cycle performs 3 complete rotations. BravoMATIC filters the water from the outside to the inside of the filter cartridge.

For maintenance and sanitation interventions, it is possible to contact the industry professionals.



360° adjustable connection plate



Automatic cleaning of the filter element



Interior lighting

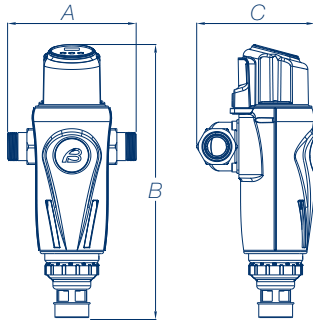
WHAT WE SUPPLY

BravoMATIC is packed in a cardboard box; inlet and outlet connections on adjustable connection plate are supplied with sealing caps preventing any contamination; they need to be removed before installation.

Standard supply includes BravoMATIC filter, bag with brass connections kit, power supply, instructions for use - maintenance - assembly - installation (including declaration of conformity).

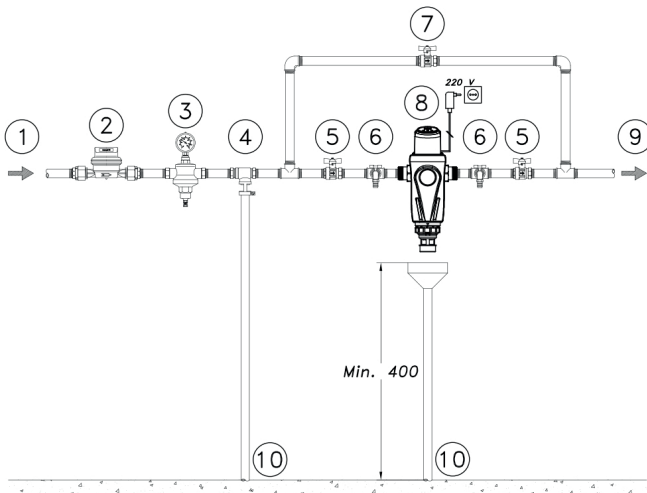
Code	Connections	Flow rate ($\Delta p = 0,5 \text{ bar}$) m^3/h	Filtration grade μm	Min/max pressure bar	Pieces per package	Kg. per package	€
FT030	3/4" M	5,9	100	1,5 - 16	1	3	614,00
FT032	1" M	7,5	100	1,5 - 16	1	3	624,00
FT034	1 1/4" M	8,0	100	1,5 - 16	1	3,5	640,00

OVERALL DIMENSIONS EXPRESSED IN MM



Code	Width - A	Height - B	Depth - C
FT030	177	405	175
FT032	179	405	175
FT034	190	405	175

EXAMPLE OF INSTALLATION SCHEME



Legend

1. Raw water inlet
2. Main water meter
3. Pressure reducer (if any)
4. Disconnecter (if any)
5. Shut-off valve
6. Sampling tap
7. By-pass valve
8. BravoMATIC filter
9. Treated water outlet
10. Discharge

GUIDELINES FOR CORRECT MAINTENANCE

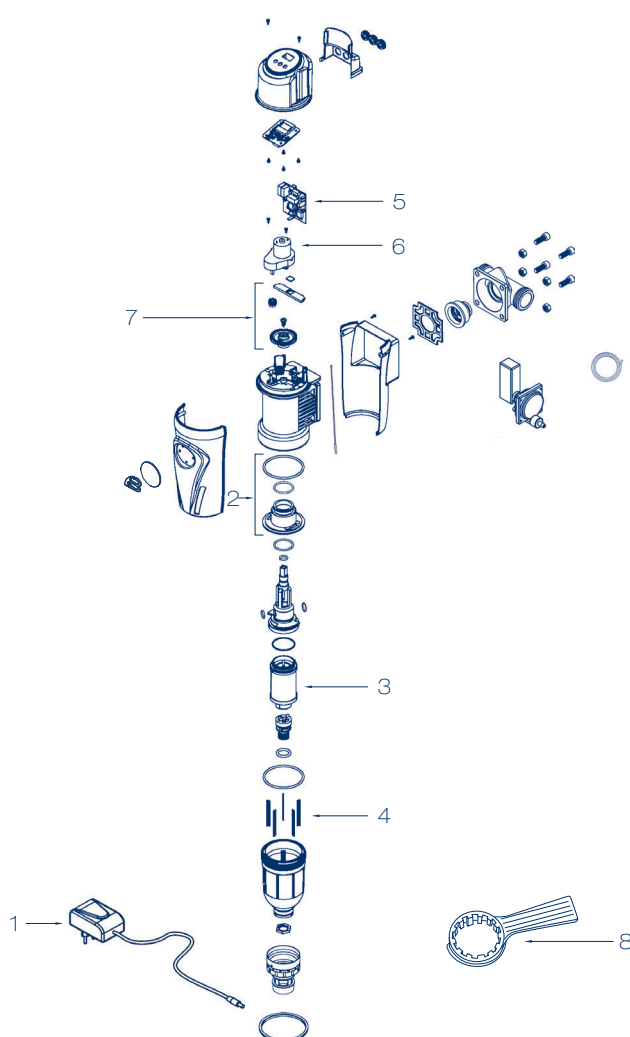


The correct operation and duration of the equipment over time depend on correct installation, proper use and methodical application of the maintenance instructions supplied.

First year	Second year	Third year	Fourth year	Fifth year
CARTRIDGE ASSEMBLY Cleaning	CARTRIDGE ASSEMBLY Cleaning	CARTRIDGE ASSEMBLY Cleaning	CARTRIDGE ASSEMBLY Cleaning	CARTRIDGE ASSEMBLY Change if necessary
SANITATION INTERVENTION Annually or for periods of inactivity exceeding 30 days	SANITATION INTERVENTION Annually or for periods of inactivity exceeding 30 days	SANITATION INTERVENTION Annually or for periods of inactivity exceeding 30 days	SANITATION INTERVENTION Annually or for periods of inactivity exceeding 30 days	SANITATION INTERVENTION When replacing the cartridge Annually or for periods of inactivity exceeding 30 days

RECOMMENDED SPARE PARTS

Pos.	Code	Description	Q.ty	€
1	99022030	Power supply assembly 230V	1	40,00
	23022043	Universal power supply 100-240V (Cina - Australia)	1	44,00
2	99007014	Bushing assembly 100 µm cartridge with o. ring	1	20,00
3	99022009	Cartridge assembly 100 µm (standard)	1	32,00
	99007008	Cartridge assembly 30 µm - ¾" - 1" - 1" ¼	1	36,00
	99007009	Cartridge assembly 50 µm - ¾" - 1" - 1" ¼	1	36,00
	99007012	Cartridge assembly 150 µm - ¾" - 1" - 1" ¼	1	36,00
4	99022005	Brush L. 61 - ¾" - 1" - 1" ¼	5	6,80
	24022002ARG	Brush L. 61 with silver thread - ¾" - 1" - 1" ¼	5	5,80
5	23022040	Circuit	1	64,00
6	99003025	Gearmotor assembly	1	80,00
7	99022024	Movement gears assembly	1	18,00
8	01022020	Key for sump opening	1	14,00



CONSUMABLES AND MAINTENANCE

Code	Description	Q.ty	€
48170005	KIT SANITY Sanitizing product for sanitation processes 1Kg. can - 4 Kg. pack	1	98,00
48105016	PEROXIDE ANALYSIS KIT for KIT SANITY The kit allows you to check whether the sanitation was done correctly	1	76,00
48500007	Food grade silicone suitable for the lubrication of mechanical parts and o.rings	1	74,00

BRAVOMAX-M

Semi-automatic self cleaning filter



- ✓ brushing system and dirty discharge in a single operation
- ✓ pressure gauges
- ✓ high flow rates

CHARACTERISTICS

BravoMAX-M is a semi-automatic self-cleaning filter ideal for the filtration of high water flows, with cartridge brushing system and dirt discharge.

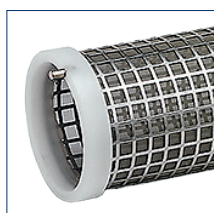
BravoMAX-M is made entirely of stainless steel. The cartridge is made of stainless steel welded to an expanded support mesh. The specific structure of the cartridge makes it resistant to pressure shocks, reducing the problem of deformation and crushing. The nylon brushes have a stainless-steel support.

It is complete with gauges for detecting pressure, and available in the version with threaded and flanged connections.

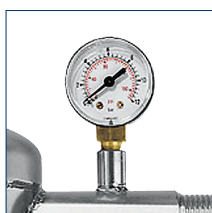
The washing operation is started by turning the upper knob clockwise: this movement activates, with each click, the brushing and draining system. The opening of the drain valve (located at the bottom of the vessel) creates a high-speed tangential flow that removes the impurities accumulated in the filter vessel.

BravoMAX-M filters the water from the inside to the outside of the filter cartridge.

For maintenance and sanitation interventions, it is possible to contact the industry professionals.



304 stainless steel filter element



Pressure gauge for detecting decrease in pressure which indicates the need to clean the cartridge



Flanged connections

WHAT WE SUPPLY

BravoMAX-M is packed in a wooden box.

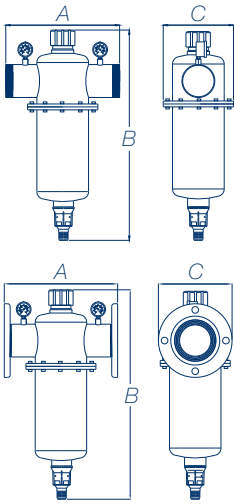
The standard supply includes: BravoMAX-M filter, 2# flanges (for flanged models), 2# glycerine pressure gauges, instructions for use and management, declaration of installation form (including warranty certificate).

Code	Connections	Flow rate ($\Delta p = 0,5$ bar) m ³ /h	Filtration grade μm	Min/max pressure bar	Pieces per package	Kg. per package	€
FT040	1" 1/2 M	30,0	150	1,8 - 10	1	5,0	1.600,00
FT042	2" M	40,0	150	1,8 - 10	1	5,3	1.750,00
FT044	2" 1/2 M	49,6	150	1,8 - 10	1	7,2	1.850,00
FT046	3" M	54,0	150	1,8 - 10	1	9,0	1.890,00
FT140	DN40	30,0	150	1,8 - 10	1	6,0	1.735,00
FT142	DN50	40,0	150	1,8 - 10	1	6,3	1.880,00
FT144	DN65	49,6	150	1,8 - 10	1	8,2	2.035,00
FT146	DN80	54,0	150	1,8 - 10	1	10,0	2.110,00

Notes: 100 - 200-micron filtration degree on request

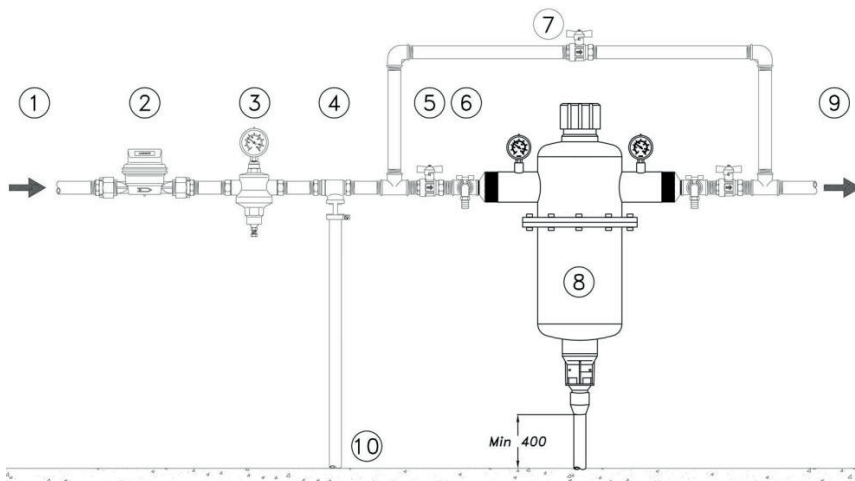
For orders, enter the degree of filtration after the code; Eg: FT044-200 - The price remains unchanged.

OVERALL DIMENSIONS EXPRESSED IN MM



Code	Width - A	Height - B	Depth - C
FT040 - FT140	310	510	190
FT042 - FT142	310	510	190
FT044 - FT144	310	578	190
FT046 - FT146	310	578	190

EXAMPLE OF INSTALLATION SCHEME



Legend

1. Raw water inlet
2. Main water meter
3. Pressure reducer (if any)
4. Disconnecter (if any)
5. Shut-off valve
6. Sampling tap
7. By-pass valve
8. BravoMAX-M filter
9. Treated water outlet
10. Discharge

GUIDELINES FOR CORRECT MAINTENANCE

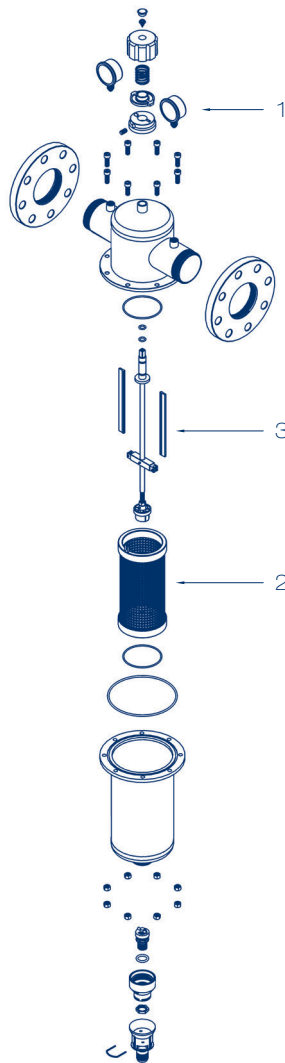


The correct operation and duration of the equipment over time depend on correct installation, proper use and methodical application of the maintenance instructions supplied.

First year	Second year	Third year	Fourth year	Fifth year
CARTRIDGE ASSEMBLY Cleaning	CARTRIDGE ASSEMBLY Cleaning	CARTRIDGE ASSEMBLY Cleaning	CARTRIDGE ASSEMBLY Cleaning	CARTRIDGE ASSEMBLY Change if necessary
SANITATION INTERVENTION Annually or for periods of inactivity exceeding 30 days	SANITATION INTERVENTION Annually or for periods of inactivity exceeding 30 days	SANITATION INTERVENTION Annually or for periods of inactivity exceeding 30 days	SANITATION INTERVENTION Annually or for periods of inactivity exceeding 30 days	SANITATION INTERVENTION When replacing the cartridge Annually or for periods of inactivity exceeding 30 days

RECOMMENDED SPARE PARTS

Pos.	Code	Description	Q.ty	€
1	23022013	Pressure gauge D. 50 - 0-16 bar	2	20,00
2	11008042	Cartridge assembly 150 µm - 1" ½ - 2" / DN40-50 (standard)	1	168,00
	11008042-50	Cartridge assembly 50 µm - 1" ½ - 2" / DN40-50	1	178,00
	11008042-100	Cartridge assembly 100 µm - 1" ½ - 2" / DN40-50	1	178,00
	11008042-200	Cartridge assembly 200 µm - 1" ½ - 2" / DN40-50	1	178,00
	11008052	Cartridge assembly 150 µm - 2" ½ - 3" / DN65-80 (standard)	1	190,00
	11008052-50	Cartridge assembly 50 µm - 2" ½ - 3" / DN65-80	1	198,00
	11008052-100	Cartridge assembly 100 µm - 2" ½ - 3" / DN65-80	1	198,00
	11008052-200	Cartridge assembly 200 µm - 2" ½ - 3" / DN65-80	1	198,00
3	24022005ARG	Brush L.110 for 1" ½ - 2" filter	2	12,00
	24022006ARG	Brush L.170 for 2" ½ - 3" filter	2	15,00



CONSUMABLES AND MAINTENANCE

Code	Description	Q.ty	€
48170005	KIT SANITY Sanitizing product for sanitation processes 1 Kg. can - 4 Kg. pack	1	98,00
48105016	PEROXIDE ANALYSIS KIT for KIT SANITY The kit allows you to check whether the sanitation was done correctly	1	76,00
48500007	Food grade silicone suitable for the lubrication of mechanical parts and o.rings	1	74,00

BRAVOMAX-A

Automatic self cleaning filter
with differential pressure switch
and motorized solenoid
discharge valve
12 - 24 - 36 - 48 h wash



- ✓ automatic brushing and dirty discharge system pressure gauges
- ✓ high flow rates
- ✓ electronic management with timed program
- ✓ built-in pressure differential with washing intervention ΔP 1 bar

CHARACTERISTICS

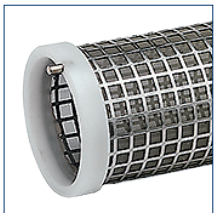
BravoMAX-A is an automatic self-cleaning filter with pressure differential and motorized drain solenoid valve; ideal for filtration of high-water flows, with cartridge brushing system and dirt discharge.

BravoMAX-A is made entirely of stainless steel. The cartridge is made of stainless steel welded to an expanded support mesh. The specific structure of the cartridge makes it resistant to pressure shocks, reducing the problem of deformation and crushing. The nylon brushes have a stainless-steel support.

It is provided with pressure gauges for detecting pressure, and available in the version with threaded or flanged connections. BravoMAX-A is managed by a time program and electro-hydraulic differential for cleaning the filter cartridge, with simultaneous brushing and dirty discharging; equipped with a motorized solenoid valve for opening and closing of the drain. The pressure differential continuously checks the degree of clogging of the filter element and activates the backwash when a pressure difference $\Delta P = 0.8$ Bar occurs; this device therefore allows to avoid clogging of the filter. The washing operation activates the brushing and dirt discharge system creating a high-speed tangential flow that removes the impurities accumulated in the filter vessel.

BravoMAX-A filters the water from the inside to the outside of the filter cartridge.

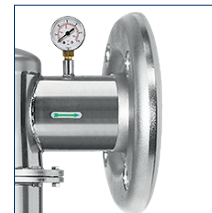
For maintenance and sanitation interventions, it is possible to contact the industry professionals.



304 stainless steel filter element



Motorized valve for closing / opening filter discharge



Flanged connections

WHAT WE SUPPLY

BravoMAX-A is packed in a wooden box.

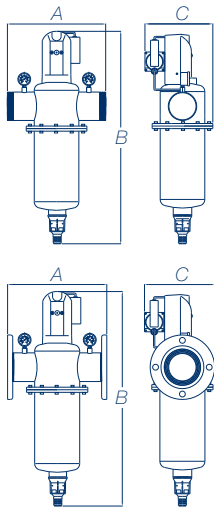
The standard supply includes: BravoMAX-A filter, power supply, 2# flanges (for flanged models), 2# glycerine pressure gauges, instructions for use and management, declaration of installation form (including warranty certificate).

Code	Connections	Flow rate ($\Delta p = 0,5$ bar) m ³ /h	Filtration grade μm	Min/max pressure bar	Pieces per package	Kg. per package	€
FT060E	1" 1/2 M	30,0	150	2,0 - 10	1	7,2	2.690,00
FT062E	2" M	40,0	150	2,0 - 10	1	7,5	2.700,00
FT064E	2" 1/2 M	49,6	150	2,0 - 10	1	10,0	2.730,00
FT066E	3" M	54,0	150	2,0 - 10	1	13,0	2.745,00
FT160E	DN40	30,0	150	2,0 - 10	1	8,2	2.820,00
FT162E	DN50	40,0	150	2,0 - 10	1	8,5	2.850,00
FT164E	DN65	49,6	150	2,0 - 10	1	11,0	2.865,00
FT166E	DN80	54,0	150	2,0 - 10	1	14,0	2.950,00

Notes: 100 - 200-micron filtration degree on request

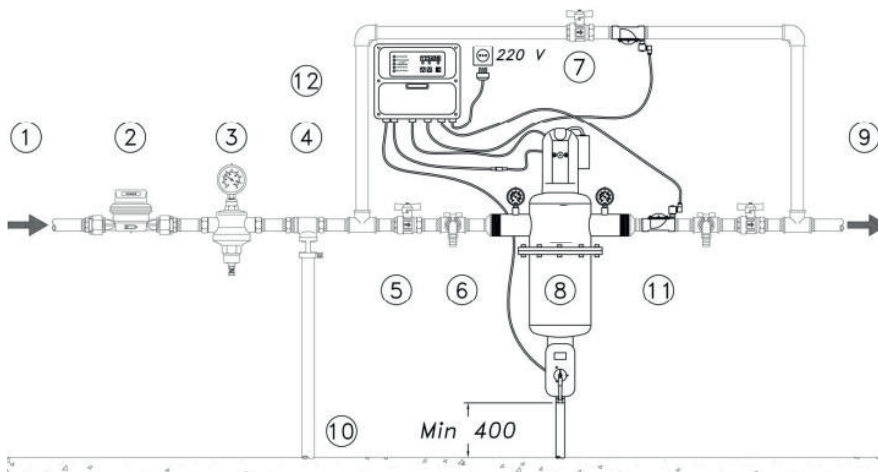
For orders, enter the degree of filtration after the code; Eg: FT044-200 - The price remains unchanged.

OVERALL DIMENSIONS EXPRESSED IN MM



Code	Width - A	Height - B	Depth - C
FT060E - FT160E	310	640	220
FT062E - FT162E	310	640	220
FT064E - FT164E	310	700	220
FT066E - FT166E	310	700	220

EXAMPLE OF INSTALLATION SCHEME



Legend

1. Raw water inlet
2. Main water meter
3. Pressure reducer
4. Disconnecter
5. Shut-off valve
6. Sampling tap
7. By-pass valve
8. BravoMAX-A filter
9. Treated water outlet
10. Discharge
11. Solenoid valves
12. Control panel

GUIDELINES FOR CORRECT MAINTENANCE

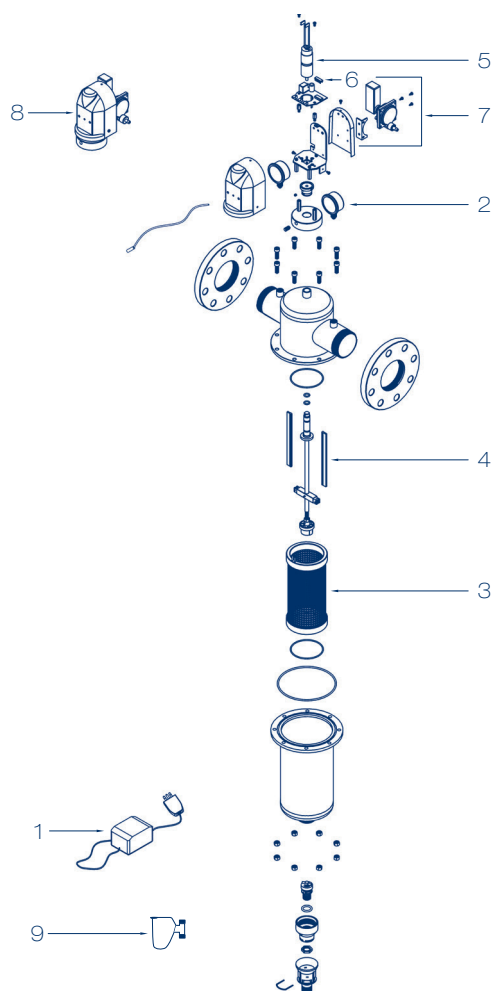


The correct operation and duration of the equipment over time depend on correct installation, proper use and methodical application of the maintenance instructions supplied.

First year	Second year	Third year	Fourth year	Fifth year
CARTRIDGE ASSEMBLY Cleaning	CARTRIDGE ASSEMBLY Cleaning	CARTRIDGE ASSEMBLY Cleaning	CARTRIDGE ASSEMBLY Cleaning	CARTRIDGE ASSEMBLY Change if necessary
SANITATION INTERVENTION Annually or for periods of inactivity exceeding 30 days	SANITATION INTERVENTION Annually or for periods of inactivity exceeding 30 days	SANITATION INTERVENTION Annually or for periods of inactivity exceeding 30 days	SANITATION INTERVENTION Annually or for periods of inactivity exceeding 30 days	SANITATION INTERVENTION When replacing the cartridge Annually or for periods of inactivity exceeding 30 days

RECOMMENDED SPARE PARTS

Pos.	Code	Description	Q.ty	€
1	23022006	Power supply 230V	1	60,00
2	99008025	Pressure gauge assembly with connector	2	36,00
3	11008042	Cartridge assembly 150 µm - 1" ½ - 2" / DN40-50 (standard)	1	168,00
	11008042-50	Cartridge assembly 50 µm - 1" ½ - 2" / DN40-50	1	178,00
	11008042-200	Cartridge assembly 200 µm 1" ½ - 2" - DN40-50	1	178,00
	11008042-100	Cartridge assembly 100 µm -1" ½-2" / DN40-50	1	178,00
	11008052	Cartridge assembly 150 µm -2" ½-3" / DN65-80 (standard)	1	190,00
	11008052-50	Cartridge assembly 50 µm - 2" ½ - 3" / DN65-80	1	198,00
	11008052-100	Cartridge assembly 100 µm - 2" ½ - 3" / DN65-80	1	198,00
4	11008052-200	Cartridge assembly 200 µm - 2" ½ - 3" / DN65-80	1	198,00
	24022005ARG	Brush L.110 filter 1" ½ - 2"	2	12,00
	24022006ARG	Brush L.170 filter 2" ½ - 3"	2	15,00
5	99020003	Gearmotor assembly	1	84,00
6	23022018	Circuit microchip - program 10 cycles 12 hours	1	18,00
7	99020005	Pressure differential assembly	1	124,00
8	99008024	Electronic head assembly	1	482,00
9	23022038	Drain solenoid valve - 24V (supplied from 05/2018)	1	160,00



CONSUMABLES AND MAINTENANCE

Code	Description	Q.ty	€
48170005	KIT SANITY Sanitizing product for sanitation processes 1 Kg. can - 4 Kg. pack	1	98,00
48105016	PEROXIDE ANALYSIS KIT for KIT SANITY The kit allows you to check whether the sanitation was done correctly	1	76,00
48500007	Food grade silicone suitable for the lubrication of mechanical parts and o.rings	1	74,00

BRAVOCALOR

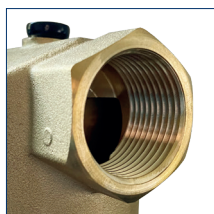
Manual cleaning filter
Temperature 5/90 °C



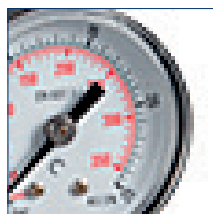
- ✓ suitable for high temperatures
- ✓ small size
- ✓ dirt discharge

CHARACTERISTICS

BravoCALOR is a manual cleaning filter for hot water 5/90 ° C, of compact dimensions and equipped with a drain cock. BravoCALOR has brass connection head and vessel with threads according to the EN 10226-1 and EN 228-1 Standards; it is available in two versions, with or without pressure gauge (scale 0-25 bar); BravoCALOR is equipped with an AISI 304 stainless steel filter cartridge. The cleaning of the filter is easy to carry out by simply opening the drain cock. For maintenance and sanitation interventions, it is possible to contact the industry professionals.



Thread according to
EN 10226-1 and
EN 228-1 Standards



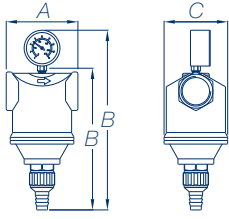
Withstands up to 90 ° C

WHAT WE SUPPLY

BravoCALOR is packed in a plastic bag and placed inside a smooth cardboard box. The standard dotations includes: BravoCALOR filter, instructions for use (including declaration of conformity).

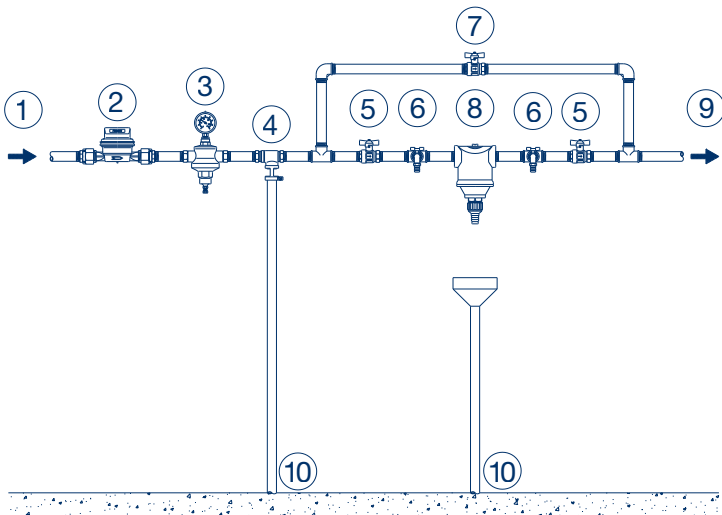
Code	Connections	Flow rate ($\Delta p = 0,5$ bar) m ³ /h	Filtration grade μm	Min/max pressure bar	Pieces per package	Kg. per package	€
FT220	1/2" F	3,0	89	1,5 - 16	12	13	107,00
FT222	3/4" F	4,0	89	1,5 - 16	12	13	107,00
FT224	1" F	8,1	89	1,5 - 16	12	13	107,00

OVERALL DIMENSIONS EXPRESSED IN MM



Code	Width - A	Height - B	Depth - C
FT230	80	160	71
FT232	80	160	71
FT234	80	160	71
FT220	80	205	71
FT222	80	205	71
FT224	80	205	71

EXAMPLE OF INSTALLATION SCHEME



Legend

1. Raw water inlet
2. Main water meter
3. Pressure reducer (if any)
4. Disconnecter (if any)
5. Shut-off valve
6. Sampling tap
7. By-pass valve
8. BravoCALOR filter
9. Treated water outlet
10. Discharge

GUIDELINES FOR CORRECT MAINTENANCE

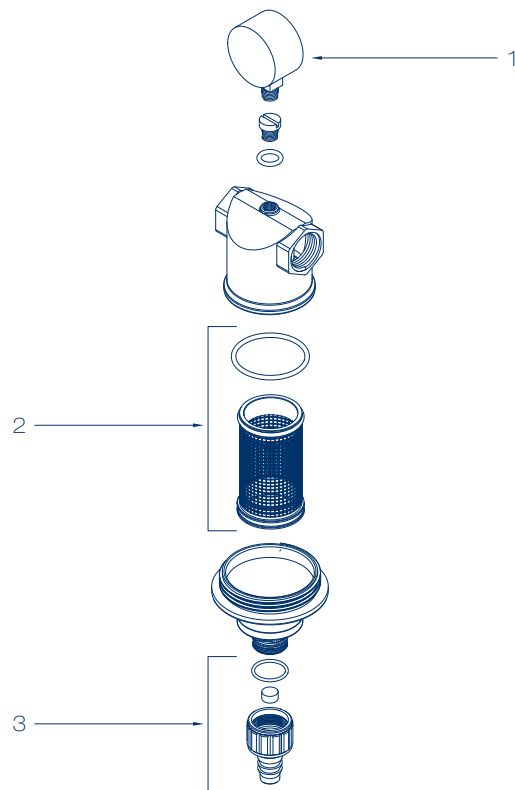


The correct operation and duration of the equipment over time depend on correct installation, proper use and methodical application of the maintenance instructions supplied.

First year	Second year	Third year	Fourth year	Fifth year
CARTRIDGES Cleaning every six months or as needed	CARTRIDGES Cleaning every six months or as needed	CARTRIDGES Cleaning every six months or as needed	CARTRIDGES Cleaning every six months or as needed	CARTRIDGES Change if necessary
SANITATION INTERVENTION (if installed cold water inlet) Annually or for periods of inactivity longer than 30 days	SANITATION INTERVENTION (if installed cold water inlet) Annually or for periods of inactivity longer than 30 days	SANITATION INTERVENTION (if installed cold water inlet) Annually or for periods of inactivity longer than 30 days	SANITATION INTERVENTION (if installed cold water inlet) Annually or for periods of inactivity longer than 30 days	SANITATION INTERVENTION (if installed cold water inlet) Annually or for periods of inactivity longer than 30 days

RECOMMENDED SPARE PARTS

Pos.	Code	Description	Q.ty	€
1	23022004	Pressure gauge Ø 40 - 0-25 bar - 120°C	1	15,00
2	99009002	89 µm cartridge assembly with o. ring	1	18,00
3	99009004	Drain faucet assembly with o. ring and pastiglia	1	16,00



FCO SILVER

Contenitore a 3 pezzi
Temperatura 5/90 °C



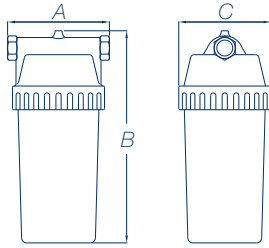
CHARACTERISTICS

3-piece brass body containers, trogamid jar - suitable for housing filter cartridges - convenient ring nut to facilitate the disassembly and reassembly of the filter element.
Technological use.

Code	Model	Connections	Unladen delivery m ³ /h	Pieces per package	Kg. per package	€
C1309030	9" 3/4	3/4"	6,0	6	15	120,50
C1309040	9" 3/4	1"	6,3	6	15	148,50
C1309050	9" 3/4	1" 1/4	12,0	6	18	166,00
C1309060	9" 3/4	1" 1/2	13,0	6	18	166,00
C1309070	9" 3/4	2"	14,0	6	21	183,50

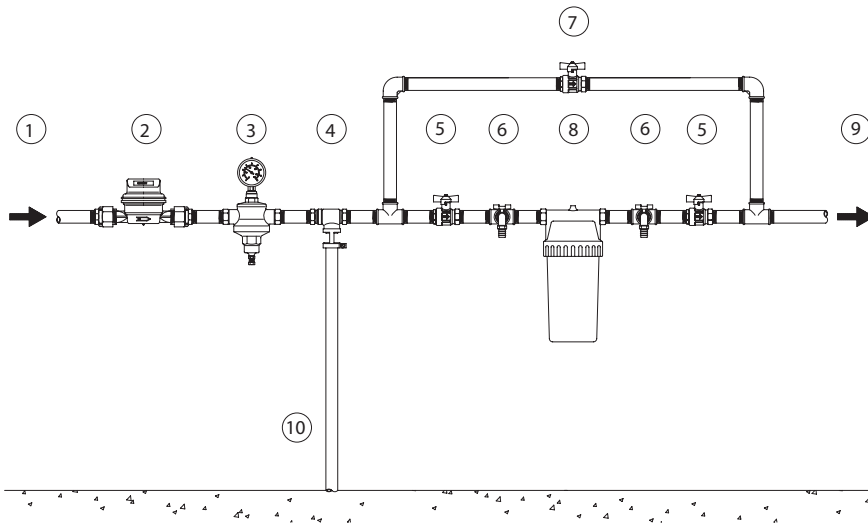
ATTENTION: For orders of non-whole packs, 5% discount reduction

OVERALL DIMENSIONS EXPRESSED IN MM



Connections	Width - A	Height - B	Depth - C
3/4"	160	340	90
1"	160	340	90
1" 1/4	160	340	90
1 1/2"	160	340	90
2"	160	340	90

EXAMPLE OF INSTALLATION SCHEME



Legend

1. Raw water inlet
2. Main water meter
3. Pressure reducer (if any)
4. Disconnect (if any)
5. Shut-off valve
6. Sampling tap
7. By-pass valve
8. Filter
9. Treated water outlet
10. Discharge

GUIDELINES FOR CORRECT MAINTENANCE

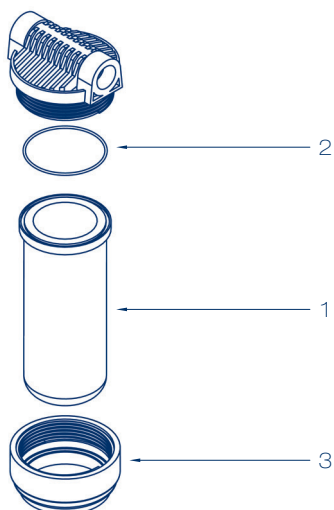


The correct operation and duration of the equipment over time depend on correct installation, proper use and methodical application of the maintenance instructions supplied.

First year	Second year	Third year	Fourth year	Fifth year
CARTRIDGES Cleaning every six months or as needed	CARTRIDGES Cleaning every six months or as needed	CARTRIDGES Cleaning every six months or as needed	CARTRIDGES Cleaning every six months or as needed	CARTRIDGES Change if necessary
SANITATION INTERVENTION (if installed cold water inlet) Annually or for periods of inactivity longer than 30 days	SANITATION INTERVENTION (if installed cold water inlet) Annually or for periods of inactivity longer than 30 days	SANITATION INTERVENTION (if installed cold water inlet) Annually or for periods of inactivity longer than 30 days	SANITATION INTERVENTION (if installed cold water inlet) Annually or for periods of inactivity longer than 30 days	SANITATION INTERVENTION (if installed cold water inlet) Annually or for periods of inactivity longer than 30 days

RECOMMENDED SPARE PARTS

Pos.	Code	Description	Q.ty	€
1	C5050118	9" SAN sump with o. ring	1	23,10
	C5050110	9" TROGAMID sump with o. ring	1	42,60
2	C5050114	NBR O. ring sump	1	6,12
3	C5050121	Brass head ring	1	30,80



CONSUMABLES AND MAINTENANCE

Code	Description	Q.ty	€
48170005	KIT SANITY Sanitizing product for sanitation processes 1 Kg. can - 4 Kg. pack	1	98,00
48105016	PEROXIDE ANALYSIS KIT for KIT SANITY The kit allows you to check whether the sanitation was done correctly	1	76,00
48500007	Food grade silicone suitable for the lubrication of mechanical parts and o.rings	1	74,00

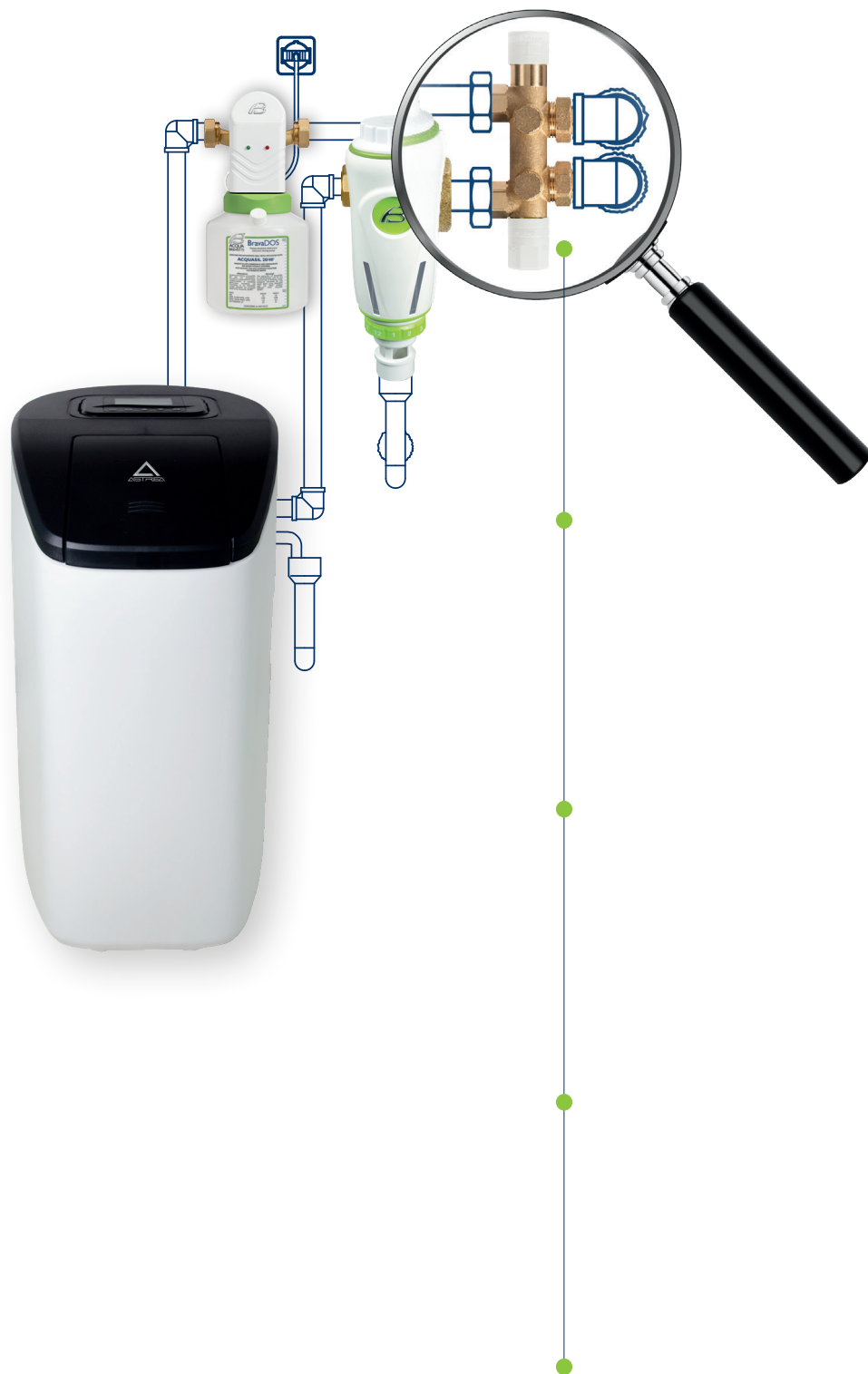
MULTI PURPOSE DEVICE

5 GOOD REASONS TO INSTALL KIT FACILE

All in just 21 cm to save time, space, and money. The Italian D.M. 25/12 requires that the plumbing systems made for the installation of water treatment equipment to be equipped with a by-pass device and taps for taking water samples upstream and downstream of the equipment.

Respecting these requirements is no longer a problem. KIT FACILE combines in a single device a softener by-pass and two predispositions for taps to take a water sample to check the effective quality of water before and after the treatment. It is designed to simplify and standardize the construction of all water treatment installations prescribed by current regulations such as, for example, filters, softeners, and dosing pumps. It is equipped, in addition to the provisions of the D.M. 25/12, of an easy-to-use water hardness mixer.



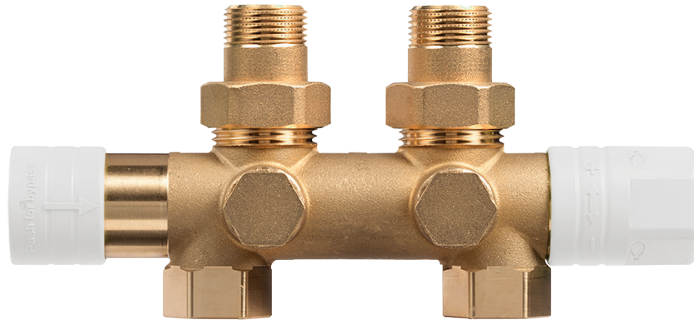


- **KIT FACILE**

SIMPLIFIES AND STANDARDIZES THE REALIZATION OF ALL INSTALLATIONS OF TREATMENT DEVICES AT THE POINT OF ENTRY

KIT FACILE

All-in-one multifunctional device



CHARACTERISTICS

Kit Facile is a multifunctional device to facilitate and standardize the installation of Acqua Brevetti systems.

Kit Facile is made with brass body, by-pass button and hardness adjustment valve; nuts and tangs are supplied for the hydraulic connection. The white pressure knob marked by an arrow accompanied by the wording "Push for by-pass" and the by-pass button. The white screw knob marked with a double arrow and the symbols "+" and "-" and the valve for adjusting the hardness. In the front part of Kit Facile there are the predispositions for the assembly of two sampling taps. The taps allow you to take water upstream and downstream of the treatment to check its characteristics (degree of softening, dosage of anti-scaling and anti-corrosive).

For maintenance and sanitation interventions, it is possible to contact the industry professionals.



Without Kit Facile



With Kit Facile

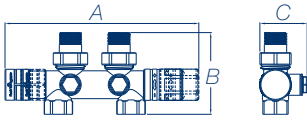
WHAT WE SUPPLY

KIT FACILE is packed in a plastic bag and placed inside a smooth cardboard box.

The standard supply includes KIT FACILE with 2# 1/2" plugs, 2# 3/4" nuts and shanks, instruction manual. The sampling taps are excluded from the supply

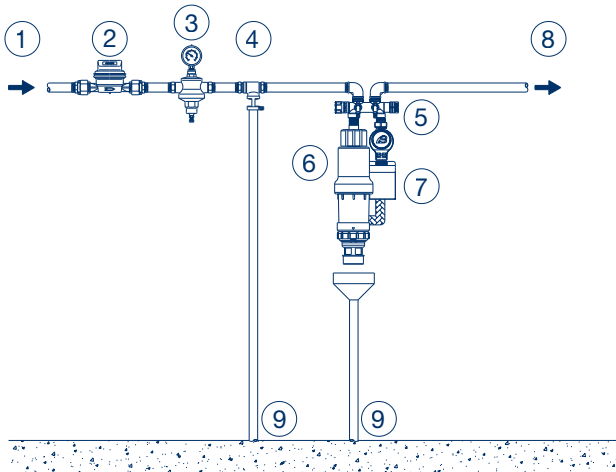
Code	Model	Connections IN/OUT	Flow rate m ³ /h	Pieces per package	€
KT100	Kit facile	1" M threading for 3/4" pipe coupling	2,0	8	144,00

OVERALL DIMENSIONS EXPRESSED IN MM



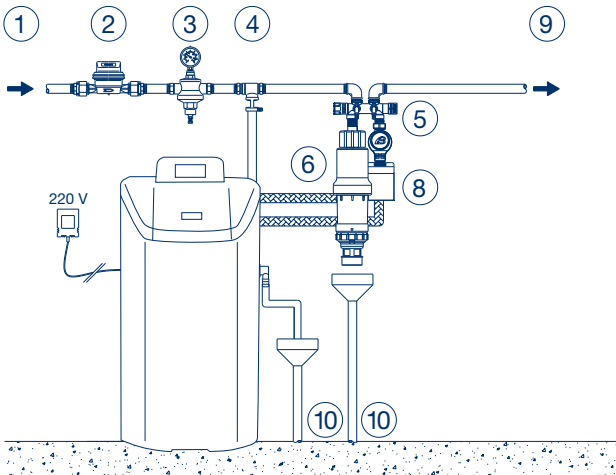
Code	Width - A	Height - B	Depth - C
KT100	230	97	56

EXAMPLE OF INSTALLATION SCHEME



Legend

1. Raw water inlet;
2. Main water meter;
3. Pressure reducer;
4. Disconnector;
5. KIT FACILE;
6. BravoFIL filter;
7. MiniDUE dosing pump;
8. Treated water outlet;
9. Discharge.



Legend

1. Raw water inlet;
2. Main water meter;
3. Pressure reducer;
4. Disconnector;
5. KIT FACILE;
6. BravoFIL filter;
7. ASTREA water softener;
8. MiniDUE dosing pump;
9. Treated water outlet;
10. Discharge.

GUIDELINES FOR CORRECT MAINTENANCE

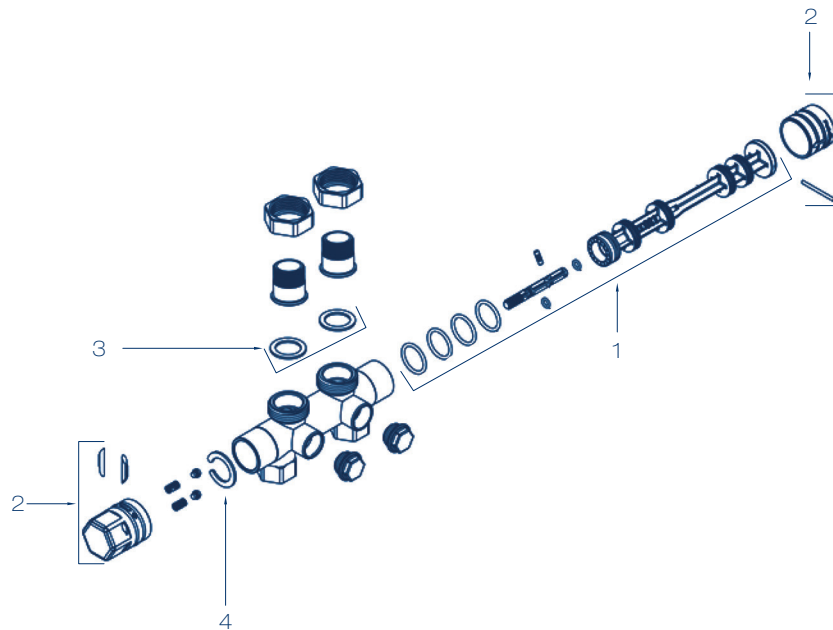


The correct operation and duration of the equipment over time depend on correct installation, proper use and methodical application of the maintenance instructions supplied.

First year	Second year	Third year	Fourth year	Fifth year
O-RING	O-RING	O-RING	O-RING	O-RING
Check tightness, in case of leakage change	Check tightness, in case of leakage change	Check tightness, in case of leakage change	Check tightness, in case of leakage change	Check tightness, in case of leakage change
SANITATION INTERVENTION	SANITATION INTERVENTION	SANITATION INTERVENTION	SANITATION INTERVENTION	SANITATION INTERVENTION
Annually or for periods of inactivity exceeding 30 days	Annually or for periods of inactivity exceeding 30 days	Annually or for periods of inactivity exceeding 30 days	Annually or for periods of inactivity exceeding 30 days	Annually or for periods of inactivity exceeding 30 days

RECOMMENDED SPARE PARTS

Pos.	Code	Description	Q.ty	€
1	99021001	Selector shaft assembly (n° 9 pieces)	1	52,00
2	99021003	Knobs assembly (n° 5 pieces)	1	28,00
3	18022001	1" gasket for 3/4" shank (n° 2 pieces)	1	1,80
4	01021003	Seiger	1	3,00



CONSUMABLES AND MAINTENANCE

Code	Description	Q.ty	€
48170005	KIT SANITY Sanitizing product for sanitation processes 1 Kg. can - 4 Kg. pack	1	98,00
48105016	PEROXIDE ANALYSIS KIT for KIT SANITY The kit allows you to check whether the sanitation was done correctly	1	76,00
48500007	Food grade silicone suitable for the lubrication of mechanical parts and o.rings	1	74,00

OUR PACK PROPOSAL

For your saving



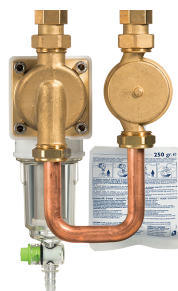
BRAVOMIX DUE PACK

Code	Pack composition				Pieces for package	€
		Filter	Pump			
56022052	Kit Facile cod. KT100	BravoDue att. 3/4" cod. FT320	Minidue att. 3/4" cod. PM011S	Connection kit cod. 99022023	1	520,00



BRAVOMIX PACK

Code	Pack composition				Pieces for package	€
		Filter	Pump			
56022054	Kit Facile cod. KT100	BravoFil att. 3/4" cod. FT020	Minidue att. 3/4" cod. PM011S	Connection kit cod. 99022023	1	640,00



Connection kit - Not sold separately

WATER SOFTENING

SOFTENING FOR DOMESTIC AND TECHNOLOGICAL USE

The presence of minerals in water is due to the type of rocks and material that water has been flowing through, and that have changed its chemical compositions. Calcium and magnesium are two elements commonly present in the composition of natural waters and are responsible for the "hardness" of the water. This term indicates that (hard) water is depositing limestone in heat exchange devices and in general in sanitary systems, including household appliances.

Damages caused by hardness are particularly evident where heat exchange processes occur, that involve heating of the water. Above 50 ° C, in fact, the calcium and magnesium salts present in the form of soluble bicarbonates are transformed into insoluble carbonates capable of precipitating, thus forming encrustations.

When the water is hard, it is good practice to perform a softening treatment. In the case of hydro-thermo-sanitary systems, the UNI 8065:2019 standard prescribes softening as mandatory for hardness greater than 15 ° f (for systems with a thermal power of the hearth > 100 kW). Regardless of the size of the heating generator, the softening treatment is recommended if the water hardness exceeds 15 ° f.

In choosing the softener, the basic hydraulic parameters that lead to the choice are:

- Instant flow: this is the maximum flow rate that the softener can pass through for which the exchange process is still guaranteed. If the softener is fed with a higher flow rate, water is crossing the ion-exchange bed at a so high speed that will cause inevitably hardness leaks.
- Cyclic capacity: it is measured in cubic meters per ° f and represents the exchange capacity of the softener. This data is of fundamental importance in order to establish the interval between two successive regenerations.

Softeners exist in two versions:

- Cabinets: they are the ideal solution for domestic applications as they are of compact and regular dimensions. They are ideal for applications where low flow rates or limited cyclic flow rates are required.
- Twin body: resin tank and brine tank are separate. These units are the ideal solution for applications where high peak flow rates or cyclic flow rates are required.





- **CABINET AND TWIN BODY WATER SOFTENERS**
VOLUMETRIC AND STATISTICAL PROPORTIONAL REGENERATION
BUILT-IN BY-PASS
REDUCED CONSUMPTION OF SALT AND WATER

ASTREA

Cabinet softener



- ✓ Certified quality and performance
- ✓ Easy installation and maintenance
- ✓ A modern appliance!
- ✓ 2 years warranty on the softener

VALUE FOR MONEY

Compact and essential design. High-strength automotive quality plastics. Ergonomic thanks to the backlit mobile display. Optical salt level sensor. Innovative hardness adjustment system. Latest construction methods. Extremely safe thanks to its Holiday Mode. Efficiency and reliability at the top of the market. Excellence certified by third parties. Available in three sizes suitable for domestic installation. For drinking water only.

EASY AND RELIABLE



Backlit mobile and ergonomic display



Combined drain + overflow = simplifying installation



On board pre-set water blending



8 lt

15 lt

22 lt



Modern design, essential colours



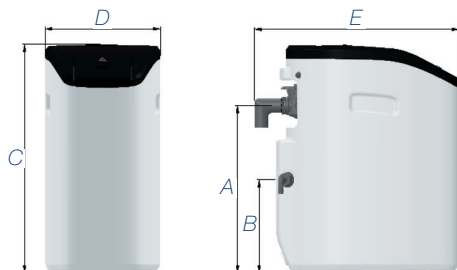
100% safe and clean

Code	Model	Volume resin lt	Nominal flow m ³ /h	Peak flow m ³ /h	Capacity m ³ x °f	Salt/regen consumption Kg.	Weight Kg.	€
CD60208	Astrea 8 lt.	8	1,16	1,57	31,39	0,68	15,10	1.100,00
CD60215	Astrea 15 lt.	15	1,41	1,92	71,22	1,28	25,70	1.240,00
CD60222	Astrea 22 lt.	22	1,38	1,90	108,83	1,87	32,60	1.380,00

WHAT WE SUPPLY

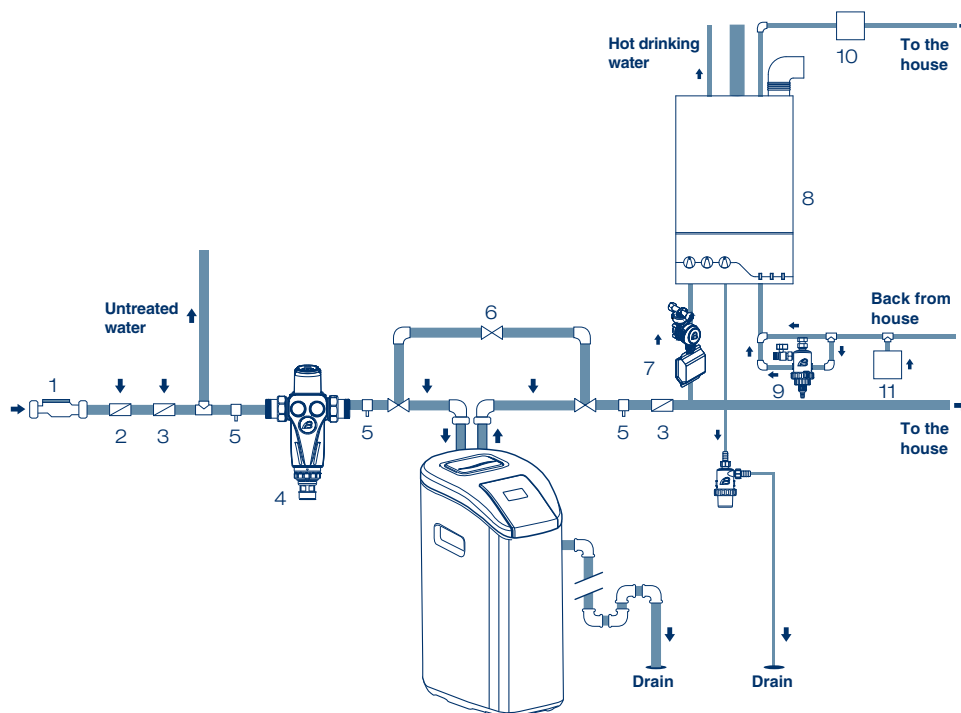
Softener, transformer, 90 ° elbow fittings, drain hose, 9V battery, quick installation guide, user and installation manual, spare clips kit, chlorine generator kit (optional).

OVERALL DIMENSIONS EXPRESSED IN MM



Code	Connections height A	Brine discharge height B	Cabin height C	Cabinet width D	Cabinet depth E
CD60208	390	215	530	280	480
CD60215	613	445	750	280	480
CD60215	825	650	965	280	480

EXAMPLE OF INSTALLATION SCHEME



Legend

1. Counter;
2. Pressure reducer (if present);
3. Non-return valve;
4. Mechanical safety filter;
5. Water sampling point;
6. Mechanical by-pass with dedicated valves;
7. Equipment for the chemical conditioning of the water to the boiler;
8. Boiler;
9. Dirt separator;
10. Degasser;
11. Apparatus for chemical conditioning dosage.

GUIDELINES FOR CORRECT MAINTENANCE

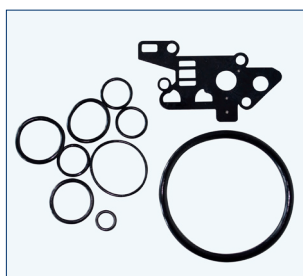


Functioning and duration of the equipment over time depend on correct installation, proper use and by the methodical application of the maintenance instructions provided.

First year	Second year	Third year	Each following year
ANNUAL ORDINARY MAINTENANCE	ORDINARY MAINTENANCE REPLACEMENT OF CHLORINE GENERATOR (every two years - if installed on the unit)	ORDINARY MAINTENANCE DISTRIBUTION KIT REPLACEMENT (every three years)	COMPLY WITH THE PERIODICITY DESCRIBED FOR THE FIRST THREE YEARS
SANITIZATION Performed annually or for periods of inactivity exceeding 30 days	SANITIZATION Performed annually or for periods of inactivity exceeding 30 days	SANITIZATION Performed annually or for periods of inactivity exceeding 30 days	SANITIZATION Performed annually or for periods of inactivity exceeding 30 days

RECOMMENDED SPARE PARTS

Code	Description	Q.ty	€
99022053	Seals kit	1	24,00
99022054	Astrea injectors kit 8 L	1	26,00
99022055	Astrea injectors kit 15 L - 22 L	1	26,00
99022037	Chlorine generator kit	1	52,00
99022056	Distributor kit	1	89,00
99022057	Optical salt level sensor	1	92,00
99022058	Drain + overflow kit	1	28,00
99022059	Astrea control panel	1	80,00
99022060	Flow meter kit	1	48,00



Seals kit



Injectors kit



Chlorine generator kit



Distributor kit

PRATICO

How to size and configure your perfect installation



Hardness	from 15 °f to 25 °f		from 25 °f to 35 °f		over 35 °f	
	Description	Code	Description	Code	Description	Code
1	BravoFIL ¾" Astrea 8 lt BravaDOS ¾" AcquaSIL 20/40®	FT020 CD60208 PM012 PC002	BravoFIL ¾" Astrea 15 lt BravaDOS ¾" AcquaSIL 20/40®	FT020 CD60215 PM012 PC002	BravoFIL ¾" Astrea 15 lt BravaDOS ¾" AcquaSIL 20/40®	FT020 CD60215 PM012 PC002
2	BravoFIL ¾" Astrea 15 lt BravaDOS ¾" AcquaSIL 20/40®	FT020 CD60215 PM012 PC002	BravoFIL ¾" Astrea 15 lt BravaDOS ¾" AcquaSIL 20/40®	FT020 CD60215 PM012 PC002	BravoFIL ¾" Astrea 22 lt BravaDOS ¾" AcquaSIL 20/40®	FT020 CD60222 PM012 PC002
3	BravoFIL 1" Astrea 15 lt BravaDOS 1" AcquaSIL 20/40®	FT022 CD60215 PM014 PC003	BravoFIL 1" Astrea 22 lt BravaDOS 1" AcquaSIL 20/40®	FT022 A-ADD-006 PM014 PC003	BravoFIL 1" Astrea 22 lt BravaDOS 1" AcquaSIL 20/40®	FT022 CD60222 PM014 PC003

BRAVOCAB

Cabinet softener

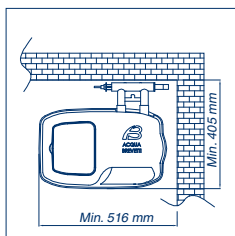


- ✓ 3 years guarantee on the salt vat
- ✓ 3 years warranty on electronics
- ✓ 3 years warranty on the valve
- ✓ 10 years warranty on the tank

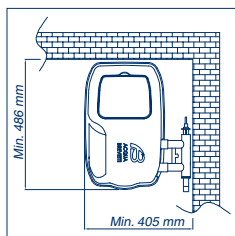
CHARACTERISTICS

Water softener consisting of a polypropylene cabinet, glass fibres reinforced polypropylene resin tank, strong cationic sodium-cycle resin, electronic control valve with daily statistical management of actual consumption - dissolution and use only of the salt necessary for regeneration - up flow volumetric regeneration – unit complete with by-pass, hardness calibrator, hardness analysis kit - working temperature: min / max 5/40 ° C - water temperature: min / max 5/30 ° C - operating pressure: min / max 1.5 / 9 Bar.

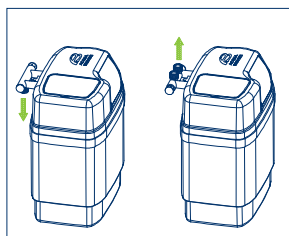
VERSATILITY OF INSTALLATION



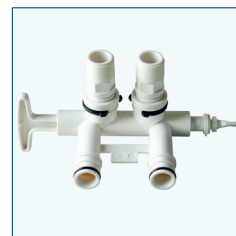
View from above
Front positioning of BravoCAB



View from above
Lateral positioning of BravoCAB



By-pass connection adjustable upwards and / or downwards



By-pass supplied

WHAT WE SUPPLY

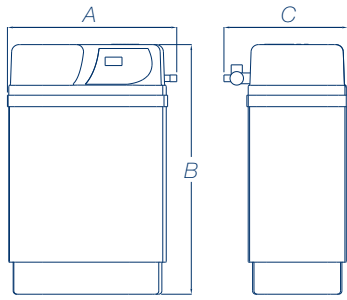
BravoCAB is placed in a protective plastic packaging inside a smooth cardboard box.

The standard supply includes: BravoCAB softener, by-pass valve, hardness analysis kit, instructions for use (including declaration of conformity).

Code	Model	Connections with by-pass	Resin volume lt	Peak flow m ³ /h	Cyclic capacity m ³ x °f	Salt consumption Kg.	Kg. for pieces	€
CD10409	Kid 9	1" M	9	4	26	0,5	18	1.432,00
					38	0,8		
					49	1,5		
CD10411	11	1" M	11	4	28	0,4	20	1.520,00
					45	0,8		
					61	1,6		
CD10417	17	1" M	17	4	58	0,8	27	1.610,00
					87	1,4		
					117	2,6		
CD10422	22	1" M	22	4	89	1,2	33	1.775,00
					155	3,4		
					183	5,6		

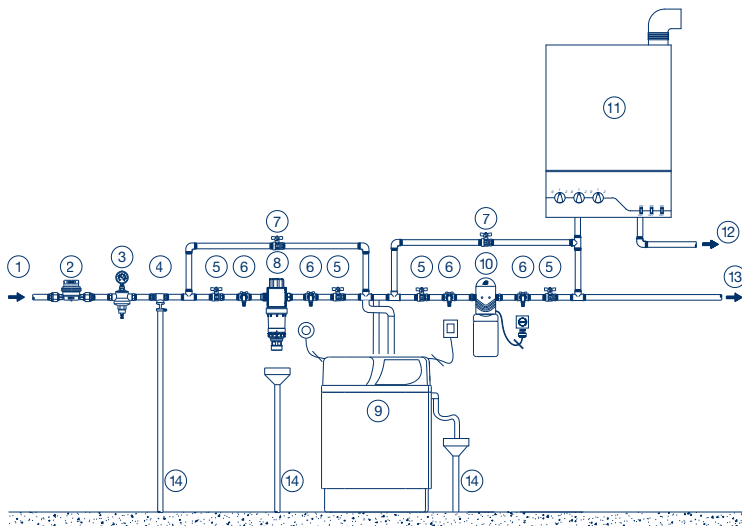
Notes: the maximum flow rate indicated refers to water of 30 ° f (IN) mixed at 15 ° f (OUT)

OVERALL DIMENSIONS EXPRESSED IN MM



Code	Weidth - A	Height - B	Diameter - C
CD10409	510	527	400
CD10411	510	654	400
CD10417	510	822	400
CD10422	510	1067	400

EXAMPLE OF INSTALLATION SCHEME



Legend

1. Raw water inlet;
2. Main water meter;
3. Pressure reducer;
4. Disconnecter;
5. Shut-off valve ;
6. Sampling tap ;
7. By-pass valve;
8. Protection filter;
9. BravoCAB water softener;
10. BravaDOS dosing pump;
11. Water heater;
12. Treated hot water outlet ;
13. Cold treated water outlet ;
14. Discharge.

GUIDELINES FOR CORRECT MAINTENANCE

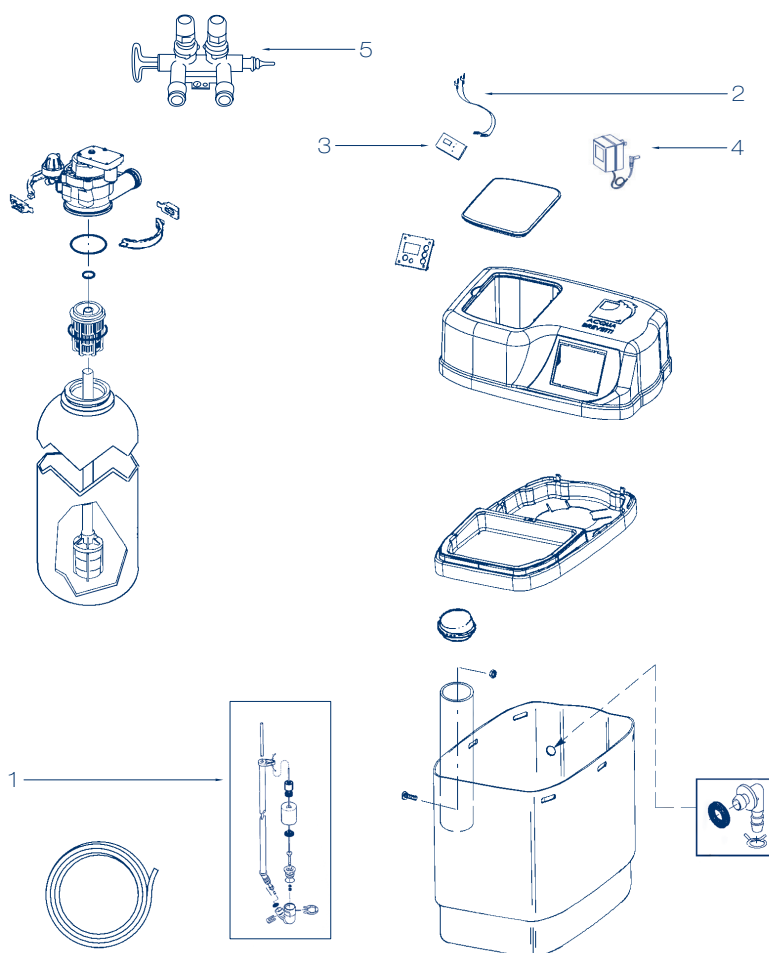


The correct operation and duration of the equipment over time depend on correct installation, proper use and methodical application of the maintenance instructions supplied.

First year	Second year	Third year	Fourth year	Fifth year
		CHLORINE PRODUCER (If present) Replacement is required		
VENTURI GROUP BRINE VALVE BRINE VESSEL Cleaning, checking operation, change in case of loss	VENTURI GROUP BRINE VALVE BRINE VESSEL Cleaning, checking operation, change in case of loss	VENTURI GROUP BRINE VALVE BRINE VESSEL Cleaning, checking operation, change in case of loss	VENTURI GROUP BRINE VALVE BRINE VESSEL Cleaning, checking operation, change in case of loss	VENTURI GROUP BRINE VALVE BRINE VESSEL Cleaning, checking operation, change in case of loss
SANITATION INTERVENTION To be performed annually or for periods of inactivity longer than 30 days	SANITATION INTERVENTION To be performed annually or for periods of inactivity longer than 30 days	SANITATION INTERVENTION To be performed annually or for periods of inactivity longer than 30 days	SANITATION INTERVENTION To be performed annually or for periods of inactivity longer than 30 days	SANITATION INTERVENTION To be performed annually or for periods of inactivity longer than 30 days

RECOMMENDED SPARE PARTS

Pos.	Code	Description	Q.ty	€
1	C7310113	Complete brine valve lt. 9	1	75,00
	C7310139	Complete brine valve lt. 11	1	75,00
	C7310163	Complete brine valve lt. 15-17	1	75,00
	C7310202	Complete brine valve lt. 22	1	75,00
2	C7250826	Alimentation cable	1	22,00
3	C7285651	BravoCAB timer lt. 9	1	222,00
	C7285821	BravoCAB timer lt. 11-15-22	1	222,00
	C7381449	BravoCAB UD timer (in gestione da 07/2020)	1	216,00
4	32015099	Power supply	1	33,40
	31015258	BravoCAB chlorine generator module	1	42,00
5	32015128	By-pass att.1" with threaded fittings	1	120,00



CONSUMABLES AND MAINTENANCE

Code	Description	Q.ty	€
48170005	KIT SANITY Sanitizing product for sanitation processes 1 Kg. can - 4 Kg. pack	1	98,00
48170008	SANITIZING KIT FOR CABINET SOFTENERS	1	45,00
48105016	PEROXIDE ANALYSIS KIT for KIT SANITY The kit allows you to check whether the sanitation was done correctly	1	76,00
48500007	Food grade silicone suitable for the lubrication of mechanical parts and o.rings	1	74,00
48105020	HARDNESS TEST KIT single reagent	1	14,00
48100007	TABLET SALT - 25 Kg. bag	1	18,80
48100002	ION EXCHANGE RESIN C10E FOR SOFTENERS - 25 Kg. bag	1	118,80

OUR PACK PROPOSAL

For your saving

START BASIC PACK



Code	Pack composition			Pieces per pack	€
	Filter	Water softener	Dosing pump		
56022060	Bravo ¾" connections cod. FT312	BravoCAB 11 lt. cod. CD10411	Minidue ¾" connections with refill cod. PM011S	1	1.849,00
56022066		BravoCAB 17 lt. cod. CD10417		1	1.939,00
56022064		BravoCAB 22 lt. cod. CD10422		1	2.104,00

START PACK



Code	Pack composition			Pieces per pack	Pieces per pack	€
	Filter	Water softener	Dosing pump			
56022036	BravoFil ¾" connections cod. FT020	BravoCAB 11 lt. cod. CD10411	BravaDos ¾" connections cod. PM012	AcquaSIL 20/40® Kg. 1 bottle cod. PC002	1	2.117,60
56022046		BravoCAB 17 lt. cod. CD10417			1	2.207,60
56022040		BravoCAB 22 lt. cod. CD10422			1	2.372,60

START PLUS PACK



Code	Pack composition			Pieces per pack	Pieces per pack	€
	Filter	Water softener	Dosing pump			
56022070	BravoMatic ¾" connections cod. FT030	BravoCAB 11 lt. cod. CD10411	BravaDos ¾" connections cod. PM012	AcquaSIL 20/40® Kg. 1 bottle cod. PC002	1	2.479,60
56022072		BravoCAB 17 lt. cod. CD10417			1	2.569,60
56022074		BravoCAB 22 lt. cod. CD10422			1	2.734,60

PRATICO

How to size and configure your perfect installation



Hardness	from 15 °f to 25 °f		from 25 °f to 35 °f		over 35 °f	
N° of apartments with two bathrooms	Description	Code	Description	Code	Description	Code
1	BravoFIL ¾" BravoCAB 9 LT BravaDOS ¾" AcquaSIL 20/40®	FT020 CD10409 PM012 PC002	BravoFIL ¾" BravoCAB 11 LT BravaDOS ¾" AcquaSIL 20/40®	FT020 CD10411 PM012 PC002	BravoFIL ¾" BravoCAB 17 LT BravaDOS ¾" AcquaSIL 20/40®	FT020 CD10417 PM012 PC002
2	BravoFIL ¾" BravoCAB 11 LT BravaDOS ¾" AcquaSIL 20/40®	FT020 CD10411 PM012 PC002	BravoFIL ¾" BravoCAB 17 LT BravaDOS ¾" AcquaSIL 20/40®	FT020 CD10417 PM012 PC002	BravoFIL ¾" BravoCAB 22 LT BravaDOS ¾" AcquaSIL 20/40®	FT020 CD10422 PM012 PC002
3	BravoFIL 1" BravoCAB 17 LT BravaDOS 1" AcquaSIL 20/40®	FT022 CD10417 PM014 PC003	BravoFIL 1" BravoCAB 22 LT BravaDOS 1" AcquaSIL 20/40®	FT022 CD10422 PM014 PC003	BravoFIL 1" BravoCAB 22 LT BravaDOS 1" AcquaSIL 20/40®	FT022 CD10422 PM014 PC003
4	BravoFIL 1" ¼ BravoSTANDARD PLUS 28 LT BravaDOS 1" ¼ AcquaSIL 20/40®	FT024 ST19428 PM016 PC003	BravoFIL 1" ¼ BravoSTANDARD PLUS 35 LT BravaDOS 1" ¼ AcquaSIL 20/40®	FT024 ST19435 PM016 PC003	BravoFIL 1" ¼ BravoSTANDARD PLUS 35 LT BravaDOS 1" ¼ AcquaSIL 20/40®	FT024 ST19435 PM016 PC003
5	BravoFIL S 1"¼ M BravoSTANDARD PLUS 42 LT BravaDOS 1"¼ M AcquaSIL 20/40®	FT024S ST19442 PM016 PC003	BravoFIL S 1"¼ M BravoSTANDARD PLUS 57 LT BravaDOS 1"¼ M AcquaSIL 20/40®	FT024S ST19457 PM016 PC003	BravoFIL S 1"¼ M BravoSTANDARD PLUS 57 LT BravaDOS 1"¼ M AcquaSIL 20/40®	FT024S ST19457 PM016 PC003
6	BravoFIL S 1"¼ M BravoSTANDARD PLUS 42 LT Pompa APG 603 SER 220 COMPLETO Contatore lancia impulsori 1" ¼ AcquaSIL 5/10 kg.20	FT024S ST19457 PM062 SD110100 9900400004 PC014	BravoFIL S 1"¼ M BravoSTANDARD PLUS 57 LT Pompa APG 603 SER 220 COMPLETO Contatore lancia impulsori 1" ¼ AcquaSIL 5/10 kg.20	FT024S ST19457 PM062 SD110100 9900400004 PC014	BravoFIL S 1"¼ M BravoSTANDARD PLUS 57 LT Pompa APG 603 SER 220 COMPLETO Contatore lancia impulsori 1" ¼ AcquaSIL 5/10 kg.20	FT024S ST19457 PM062 SD110100 9900400004 PC014

BRAVOSTANDARD PLUS V

TIME / VOLUME
Cabinet softener



CHARACTERISTICS

Twin body softener with variable regenerative level, complete with fiberglass reinforced polypropylene resin tank, electronic control valve with daily statistical management of regeneration - complete with: by-pass with hardness blending function, hardness analysis kit - working temperature: min / max 5/40 ° C - water working temperature: min / max 5/30 ° C - operating pressure: min / max 1.5 / 8.6 bar - power supply voltage: 230 VAC / 50 Hz



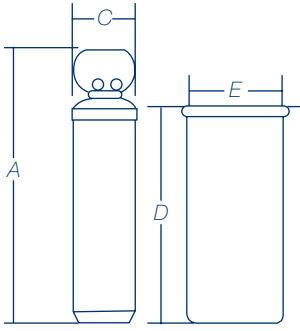
By-pass supplied

WHAT WE SUPPLY

BravoSTANDARD PLUS is placed in a protective plastic packaging inside a smooth cardboard box. The standard supply includes: BravoSTANDARD PLUS softener, hardness analysis kit, bypass valve with hardness mixing function, instructions for use (including declaration of conformity).

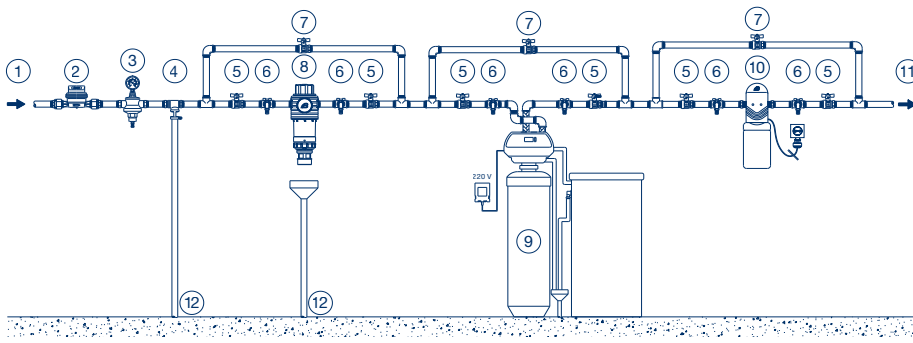
Code	Model	Connections	Resin volume lt	Peak flow m ³ /h	Cyclic capacity m ³ x °f	Salt consumption Kg.	€
ST19028	ST PLUS 28	1" ¼	28	3,5	93	1,35	1.688,00
					141	2,28	
					220	6,12	
ST19035	ST PLUS 35	1" ¼	35	3,5	116	1,68	1.728,00
					175	2,84	
					275	7,63	
ST19042	ST PLUS 42	1" ¼	42	3,5	150	2,04	2.164,00
					196	3,74	
					332	6,94	
ST19057	ST PLUS 57	1" ¼	57	3,5	200	2,72	2.303,00
					322	4,99	
					443	9,25	
ST19085	ST PLUS 85	1" ¼	85	5,1	280	4,13	2.933,00
					458	8,03	
					583	12,38	
ST190115	ST PLUS 115	1" ¼	115	5,1	369	5,44	3.310,00
					611	10,70	
					777	16,51	

OVERALL DIMENSIONS EXPRESSED IN MM



Code	Height - A	Weight -C	Vat height - D	Vat diameter - E
ST19028	1480	355	990	460
ST19428				
ST19035	1480	355	990	460
ST19035				
ST19042	1630	355	990	460
ST19042				
ST19057	1630	355	990	460
ST19057				
ST19085	1362	365	1150	635
ST19485				
ST190115	1388	451	1150	635
ST190115				

EXAMPLE OF INSTALLATION SCHEME



Legend

1. Raw water inlet;
2. General counter;
3. Pressure reducer;
4. Disconnector;
5. Shut-off valve;
6. Sampling tap;
7. By-pass valve;
8. PuliFIL filter;
9. BravoStandard Plus softener;
10. BravaDOS pump;
11. Treated water outlet;
12. Discharge.

GUIDELINES FOR CORRECT MAINTENANCE

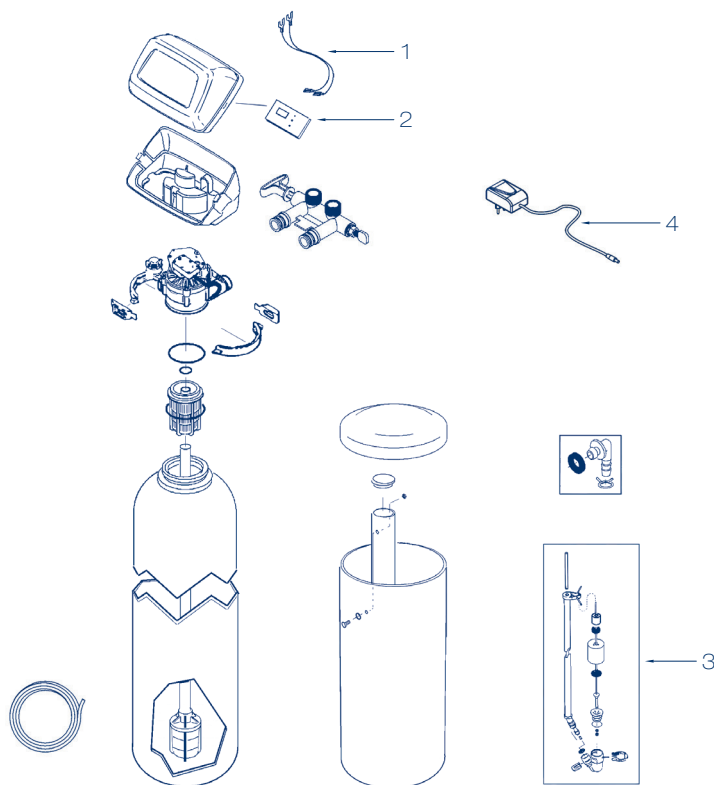


The correct operation and duration of the equipment over time depend on correct installation, proper use and methodical application of the maintenance instructions supplied.

First year	Second year	Third year	Fourth year	Fifth year
		CHLORINE PRODUCER (if present) Replacement is required		
VENTURI GROUP BRINE VALVE BRINE VESSEL Cleaning, checking operation, change in case of loss	VENTURI GROUP BRINE VALVE BRINE VESSEL Cleaning, checking operation, change in case of loss	VENTURI GROUP BRINE VALVE BRINE VESSEL Cleaning, checking operation, change in case of loss	VENTURI GROUP BRINE VALVE BRINE VESSEL Cleaning, checking operation, change in case of loss	VENTURI GROUP BRINE VALVE BRINE VESSEL Cleaning, checking operation, change in case of loss
SANITATION INTERVENTION To be performed annually or for periods of inactivity longer than 30 days	SANITATION INTERVENTION To be performed annually or for periods of inactivity longer than 30 days	SANITATION INTERVENTION To be performed annually or for periods of inactivity longer than 30 days	SANITATION INTERVENTION To be performed annually or for periods of inactivity longer than 30 days	SANITATION INTERVENTION To be performed annually or for periods of inactivity longer than 30 days

RECOMMENDED SPARE PARTS

Pos.	Code	Description	Q.ty	€
1	C7250826	Power supply cable	1	22,00
3	C7332220	Timer	1	227,00
3	C7310210	Brine valve assembly (28 - 57 litres)	1	69,00
	C7231254	Brine valve assembly (85-115 litres)	1	584,00
4	32015099	Power supply 24V	1	33,40
--	99022010	Chlorine generator module	1	59,00



CONSUMABLES AND MAINTENANCE

Code	Description	Q.ty	€
48170005	KIT SANITY Sanitizing product for sanitation processes 1Kg. can - 4 Kg. pack	1	98,00
48105016	PEROXIDE ANALYSIS KIT for KIT SANITY The kit allows you to check whether the sanitation was done correctly	1	76,00
48500007	Food grade silicone suitable for the lubrication of mechanical parts and o.rings	1	74,00
48105020	HARDNESS TEST KIT single reagent	1	14,00
48100007	TABLET SALT - 25 Kg. bag	1	18,80
48100002	ION EXCHANGE RESIN C100E FOR SOFTENERS - 25 Kg. bag	1	118,80

BRAVOSTANDARD PLUS VED

TIME / VOLUME
WITH DISINFECTION
Cabinet softener



CHARACTERISTICS

Twin body softener with variable regenerative level, complete with fiberglass reinforced polypropylene resin tank, electronic control valve with daily statistical management of regeneration - complete with: by-pass with hardness blending function, hardness analysis kit - working temperature: min / max 5/40 ° C - water working temperature: min / max 5/30 ° C - operating pressure: min / max 1.5 / 8.6 bar - power supply voltage: 230 VAC / 50 Hz



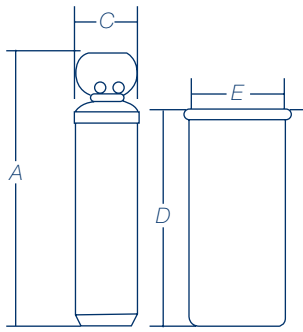
By-pass supplied

WHAT WE SUPPLY

BravoSTANDARD PLUS is placed in a protective plastic packaging inside a smooth cardboard box. The standard supply includes: BravoSTANDARD PLUS softener, hardness analysis kit, universal chlorine generator module (for VED models), bypass valve with hardness mixing function, instructions for use (including declaration of conformity).

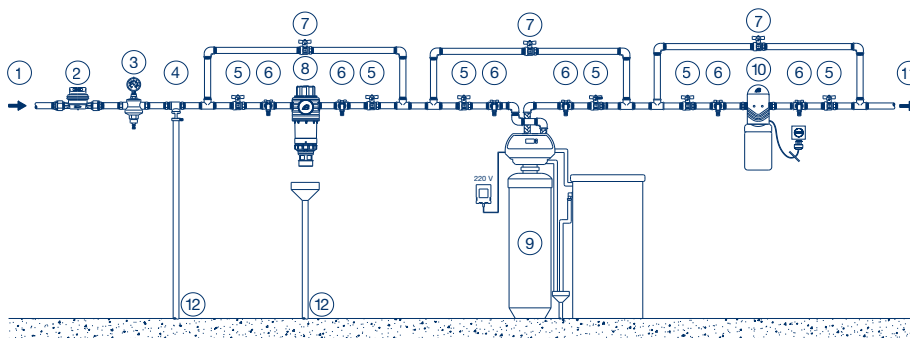
Code	Model	Connections	Resin volume lt	Peak flow m ³ /h	Cyclical capacity m ³ x 'f	Salt consumption Kg.	€
ST19428	ST PLUS 28	1" ¼	28	3,5	93	1,35	1.731,00
					141	2,28	
					220	6,12	
ST19435	ST PLUS 35	1" ¼	35	3,5	116	1,68	1.770,00
					175	2,84	
					275	7,63	
ST19442	ST PLUS 42	1" ¼	42	3,5	150	2,04	2.107,00
					196	3,74	
					332	6,94	
ST19457	ST PLUS 57	1" ¼	57	3,5	200	2,72	2.346,00
					322	4,99	
					443	9,25	
ST19485	ST PLUS 85	1" ¼	85	5,1	280	4,13	2.986,00
					458	8,03	
					583	12,38	
ST194115	ST PLUS 115	1" ¼	115	5,1	369	5,44	3.364,00
					611	10,70	
					777	16,51	

OVERALL DIMENSIONS EXPRESSED IN MM



Code	Height - A	Weidht -C	Vat height - D	Vat diameter - E
ST19028	1480	355	990	460
ST19428				
ST19035	1480	355	990	460
ST19035				
ST19042	1630	355	990	460
ST19042				
ST19057	1630	355	990	460
ST19057				
ST19085	1362	365	1150	635
ST19485				
ST190115	1388	451	1150	635
ST190115				

EXAMPLE OF INSTALLATION SCHEME



Legend

1. Raw water inlet;
2. General counter;
3. Pressure reducer;
4. Disconnector;
5. Shut-off valve;
6. Sampling tap;
7. By-pass valve;
8. PuliFIL filter;
9. BravoStandard Plus softener;
10. BravaDOS pump;
11. Treated water outlet;
12. Discharge.

GUIDELINES FOR CORRECT MAINTENANCE

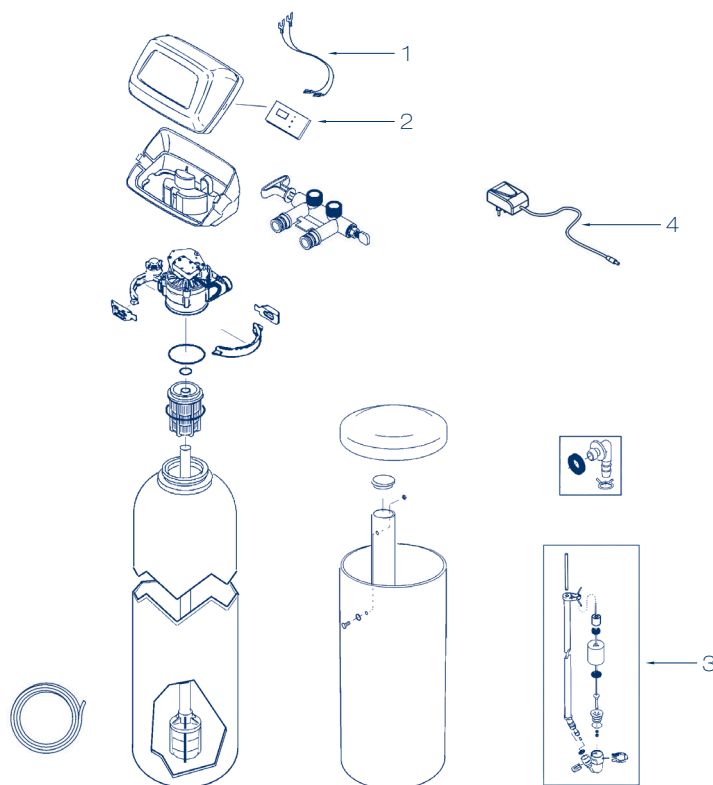


The correct operation and duration of the equipment over time depend on correct installation, proper use and methodical application of the maintenance instructions supplied.

First year	Second year	Third year	Fourth year	Fifth year
VENTURI GROUP BRINE VALVE BRINE VESSEL Cleaning, checking operation, change in case of loss	VENTURI GROUP BRINE VALVE BRINE VESSEL Cleaning, checking operation, change in case of loss	VENTURI GROUP BRINE VALVE BRINE VESSEL Cleaning, checking operation, change in case of loss	VENTURI GROUP BRINE VALVE BRINE VESSEL Cleaning, checking operation, change in case of loss	VENTURI GROUP BRINE VALVE BRINE VESSEL Cleaning, checking operation, change in case of loss
SANITATION INTERVENTION To be performed annually or for periods of inactivity longer than 30 days	SANITATION INTERVENTION To be performed annually or for periods of inactivity longer than 30 days	SANITATION INTERVENTION To be performed annually or for periods of inactivity longer than 30 days	SANITATION INTERVENTION To be performed annually or for periods of inactivity longer than 30 days	SANITATION INTERVENTION To be performed annually or for periods of inactivity longer than 30 days

RECOMMENDED SPARE PARTS

Pos.	Code	Description	Q.ty	€
1	C7250826	Power supply cable	1	22,00
3	C7332220	Timer	1	227,00
3	C7310210	Brine valve assembly (28 - 57 litres)	1	69,00
	C7231254	Brine valve assembly (85-115 litres)	1	584,00
4	32015099	Power supply 24V	1	33,40
--	99022010	Chlorine generator module	1	59,00



CONSUMABLES AND MAINTENANCE

Code	Description	Q.ty	€
48170005	KIT SANITY Sanitizing product for sanitation processes 1 Kg. can - 4 Kg. pack	1	98,00
48105016	PEROXIDE ANALYSIS KIT for KIT SANITY The kit allows you to check whether the sanitation was done correctly	1	85,00
48500007	Food grade silicone suitable for the lubrication of mechanical parts and o.rings	1	74,00
48105020	HARDNESS TEST KIT single reagent	1	14,00
48100007	TABLET SALT - 25 Kg. bag	1	18,80
48100002	ION EXCHANGE RESIN C100E FOR SOFTENERS - 25 Kg. bag	1	118,80

ANTI-SCALANT SYSTEMS

PRODUCTS DOSAGE

Mechanical and electronic volumetric dosing pumps MiniDUE and BravaDOS are perfect to dose small quantities of anti-scaling anti-corrosive product – AcquaSIL® range. The dosage occurs in a proportional manner into the hydraulic circuits for the protection of equipment (boilers, kettles, washing machines, dishwashers, etc.).

AcquaSIL® line is a solution of food-grade mineral salts composed of raw materials that comply with the treatment of water intended for human consumption. These salts are dosed in the quantity required by current international regulations. MiniDUE and BravaDOS are the only valid solution for dosing anticorrosive and anti-encrusting polyphosphates in domestic and technological applications. The Technical Standards in force (EU 2020/2184, EN 14812, UNI 8065, UNI 9182 and UNI EN 806-2) describe and prescribe a chemical conditioning treatment.

The equipment is made with materials compliant with the D.M. n. 174/04 ("Materials suitable for the treatment of water intended for human consumption").





- **PROPORTIONAL VOLUMETRIC DOSING PUMPS**

FOR THE DOSAGE OF THE ACQUASIL® LINE,
ANTI-CORROSIVE ANTI-SCALING PRODUCT SUITABLE FOR THE
TOTAL PROTECTION OF THE HEALTH RANGE, FOR THE PROTECTION
OF WALL-MOUNTED AND BUILT-IN BOILERS

MINIDUE FILTRO

Cleaning filter and shut-off valve
+ compact mechanical volumetric dosing pump



- ✓ self-priming, with injection valve that also acts as a non-return valve
- ✓ fully mechanical operation
- ✓ complete with 89 μ 304 stainless steel cartridge
- ✓ precise dosage, effective treatment with AcquaSIL 2/15®

CHARACTERISTICS

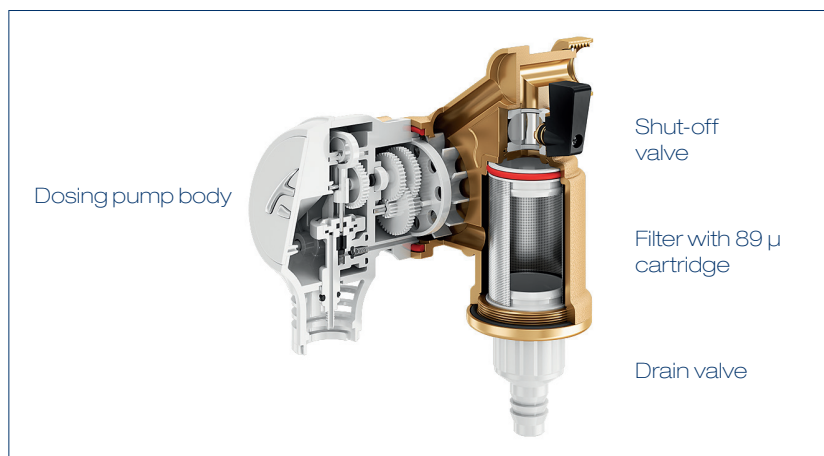
MiniDUE FILTRO is the first compact combined system that integrates in a single device a mechanical filter and mechanical volumetric dosing pump for dosing AcquaSIL 2/15® an anti-scaling and anti-corrosion product.

MiniDUE FILTRO is made with connection plate and filter cartridge housing in brass, pump body in plastic material, filter cartridge in stainless steel clamped on bush with O-ring seal; the cartridge filters dangerous particles present in water, thanks to its stainless-steel cartridge with size greater than 89 microns.

AcquaSIL 2/15® product is supplied in disposable bags of gr. 250 or of 1 kg, to be connected directly to the pump body or to be used with the remote kit connection provided with the standard product.

MiniDUE FILTRO prevents mechanical damage due to coarse materials that could enter the heating systems, such as rust flakes, small stones, processing scraps, etc. By means of the dosage of polyphosphate-based products, even at very low concentrations, can efficiently prevent the formation of limescale and corrosion in the hot- and cold-water distribution lines, thus protecting the heat exchangers and the heat generators' parts from premature breakage.

For maintenance and sanitation interventions, please contact the industry professionals.



First AcquaSIL 2/15® refill and remote kit supplied

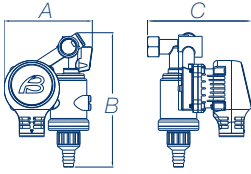
WHAT WE SUPPLY

MiniDUE FILTRO is placed inside a smooth cardboard box.

The standard supply includes: MiniDUE FILTRO dosing pump, 250 g AcquaSIL 2/15® refill, remote installation kit and instructions manual.

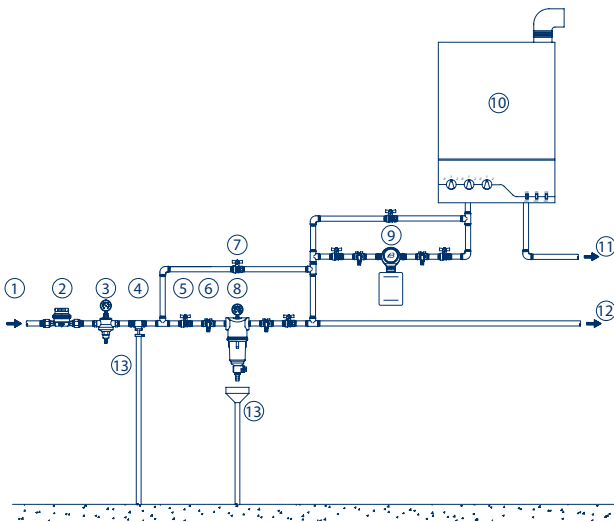
Code	Connections	Flow rate m ³ /h	Min/max pressure bar	Pieces per package	Kg. per package	€
PM006S	1/2" F	0,9	1,5 - 10	10	20,0	202,00

OVERALL DIMENSIONS EXPRESSED IN MM



Code	Weidth - A	Height - B	Depth - C
PM006S	107	162	126

EXAMPLE OF INSTALLATION SCHEME



Legend

1. Raw water inlet;
2. General counter;
3. Pressure reducer;
4. Disconnect;
5. Shut-off valve;
6. Sampling tap;
7. By-pass valve;
8. Filter;
9. MiniDUE dosing pump;
10. Boiler;
11. Hot water outlet;
12. Cold water outlet;
13. Discharge.

GUIDELINES FOR CORRECT MAINTENANCE

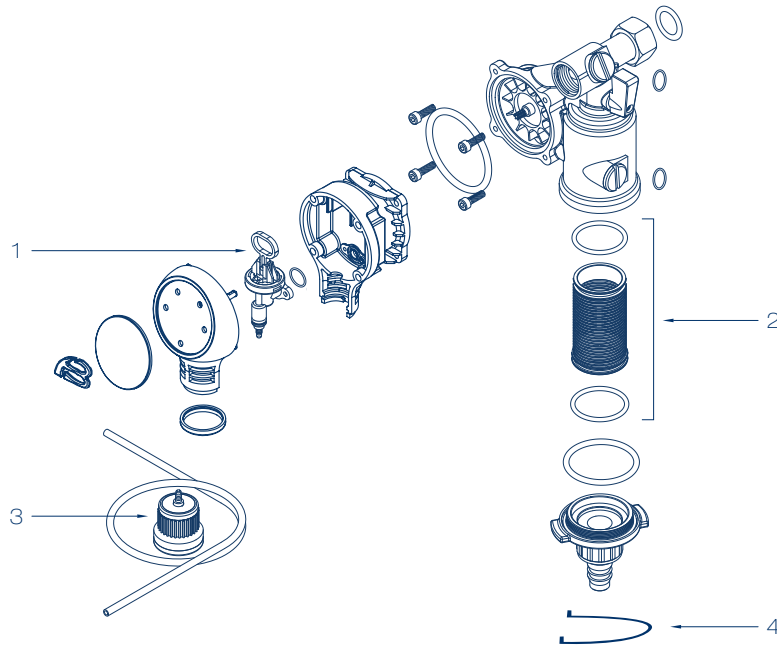


The correct operation and duration of the equipment over time depend on correct installation, proper use and methodical application of the maintenance instructions supplied.

First year	Second year	Third year	Fourth year	Fifth year
CHAMBER ASSEMBLY Clean or lubricate with food grade silicone	CHAMBER ASSEMBLY Clean or lubricate with food grade silicone	CHAMBER ASSEMBLY Replace	CHAMBER ASSEMBLY Clean or lubricate with food grade silicone	CHAMBER ASSEMBLY Clean or lubricate with food grade silicone
SANITATION INTERVENTION Annually or for periods of inactivity longer than 30 days	SANITATION INTERVENTION Annually or for periods of inactivity longer than 30 days	SANITATION INTERVENTION Annually or for periods of inactivity longer than 30 days	SANITATION INTERVENTION Annually or for periods of inactivity longer than 30 days	SANITATION INTERVENTION Annually or for periods of inactivity longer than 30 days

RECOMMENDED SPARE PARTS

Pos.	Code	Description	Q.ty	€
1	99006021	Dosing chamber assembly 1/2"	1	16,00
2	99009002	Cartridge assembly with o.ring	1	18,00
3	99006020	Remote kit assembly	1	20,00
4	11006013	Opening key	1	5,00



CONSUMABLES AND MAINTENANCE

Code	Description	Q.ty	€
48170005	KIT SANITY Sanitizing product for sanitation processes 1Kg. can - 4 Kg. pack	1	98,00
48105016	PEROXIDE ANALYSIS KIT for KIT SANITY The kit allows you to check whether the sanitation was done correctly	1	76,00
48500007	Food grade silicone suitable for the lubrication of mechanical parts and o.rings	1	74,00
PC100	AcquaSIL 2/15® - anti-scale anti-corrosion product Box with n° 4 refill (250 gr. / each)	1	16,50
PC104	AcquaSIL 2/15® - anti-scale anti-corrosion product Box with n° 1 refill (1 Kg.)	1	16,50

MINIDUE 360

Compact volumetric dosing pump



- ✓ self-priming, with injection valve that also acts as a non-return valve
- ✓ universal 'dima' attachment
- ✓ fully mechanical operation
- ✓ precise dosage, effective treatment with AcquaSIL 2/15®

CHARACTERISTICS

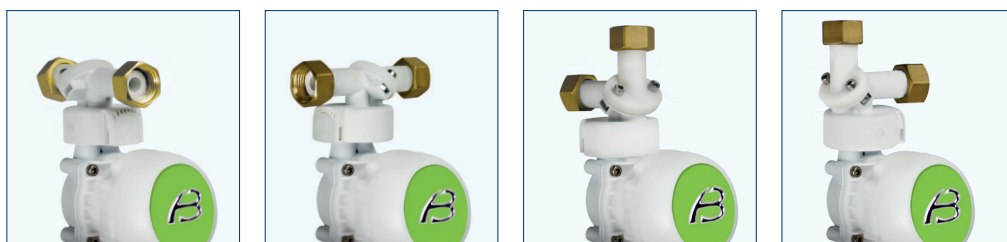
MiniDUE 360 is the new mechanical volumetric dosing pump for dosing AcquaSIL 2 / 15®, an anticorrosive anti-scale product, with a revolutionary template fixing designed to satisfy any installations need and simplifying and reducing installation times.

MiniDUE 360 is made with body and connection plate in plastic material; template fixing parts in plastic material with brass ring nuts and nuts.

AcquaSIL 2/15® product is supplied in disposable bags of gr. 250 or of 1 kg, to be connected directly to the pump body or to be used with the remote kit connection provided with the standard product.

MiniDUE 360 with the dosing of polyphosphate-based products, even at very low concentrations, will prevent the formation of limescale and corrosion in the hot water distribution lines.

For maintenance and sanitation interventions, please contact the industry professionals.



New dima attachment, versatility of installation in any configuration



First AcquaSIL 2/15® refill and remote kit supplied

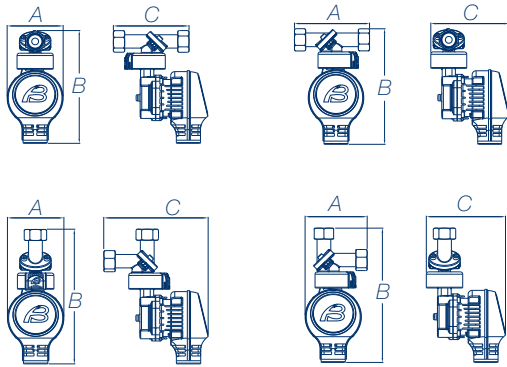
WHAT WE SUPPLY

MiniDUE 360 is placed inside a smooth cardboard box.

The standard supply includes: MiniDUE 360 dosing pump, 250 g AcquaSIL 2/15® refill, remote installation kit, DIMA 360 swivelling connection ("template" brass connection for quick & easy installation), and instructions manual.

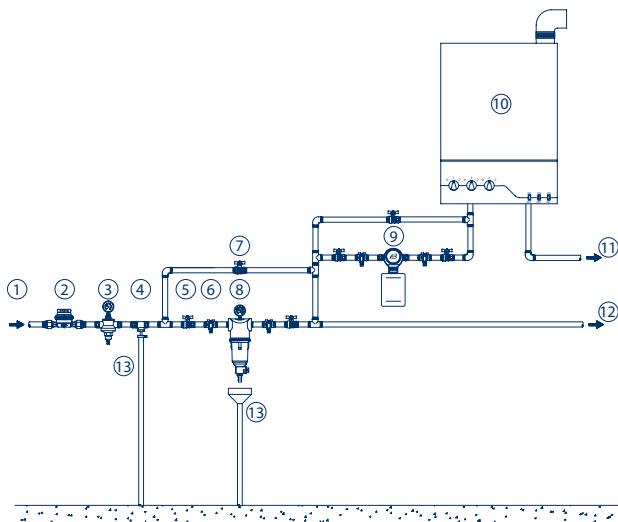
Code	Connections	Flow rate m ³ /h	Min/max pressure bar	Pieces per package	Kg. per package	€
PM007S	1/2" F	0,8	1,5 - 10	24	21,0	110,00

OVERALL DIMENSIONS EXPRESSED IN MM



Code	Weidth - A	Height - B	Depth - C
PM007S	70	144	94
	94	144	98
	70	171	101
	77	171	98

EXAMPLE OF INSTALLATION SCHEME



Legend

1. Raw water inlet;
2. General counter;
3. Pressure reducer;
4. Disconnect;
5. Shut-off valve;
6. Sampling tap;
7. By-pass valve;
8. Filter;
9. MiniDUE dosing pump;
10. Boiler;
11. Hot water outlet;
12. Cold water outlet;
13. Discharge.

GUIDELINES FOR CORRECT MAINTENANCE

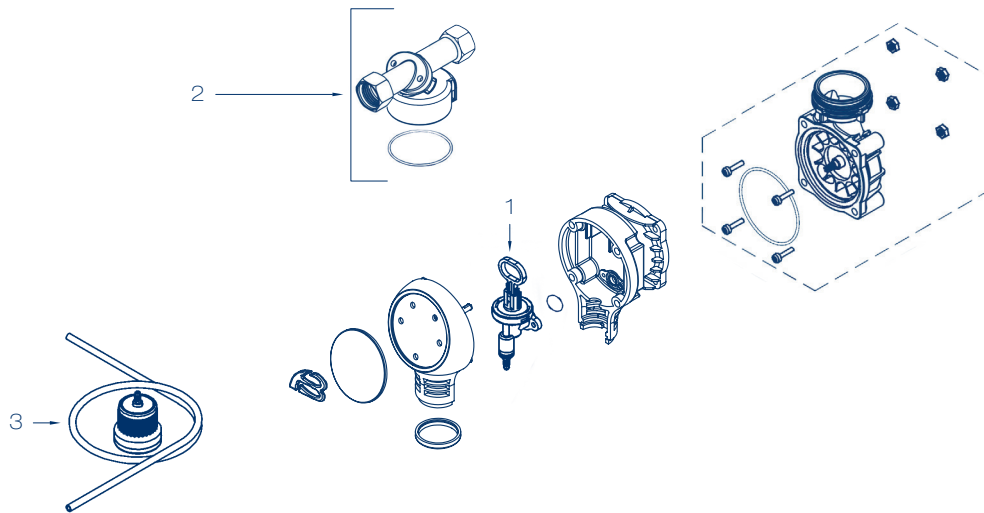


The correct operation and duration of the equipment over time depend on correct installation, proper use and methodical application of the maintenance instructions supplied.

First year	Second year	Third year	Fourth year	Fifth year
CHAMBER ASSEMBLY Clean or lubricate with food grade silicone	CHAMBER ASSEMBLY Clean or lubricate with food grade silicone	CHAMBER ASSEMBLY Replace	CHAMBER ASSEMBLY Clean or lubricate with food grade silicone	CHAMBER ASSEMBLY Clean or lubricate with food grade silicone
SANITATION INTERVENTION Annually or for periods of inactivity longer than 30 days	SANITATION INTERVENTION Annually or for periods of inactivity longer than 30 days	SANITATION INTERVENTION Annually or for periods of inactivity longer than 30 days	SANITATION INTERVENTION Annually or for periods of inactivity longer than 30 days	SANITATION INTERVENTION Annually or for periods of inactivity longer than 30 days

RECOMMENDED SPARE PARTS

Pos.	Code	Description	Q.ty	€
1	99006021	Dosing chamber assembly 1/2"	1	16,00
2	99006006	"Dima 360" connection assembly	1	26,00
3	99006020	Remote kit assembly	1	20,00



CONSUMABLES AND MAINTENANCE

Code	Description	Q.ty	€
48170005	KIT SANITY Sanitizing product for sanitation processes 1 Kg. can - 4 Kg. pack	1	98,00
48105016	PEROXIDE ANALYSIS KIT for KIT SANITY The kit allows you to check whether the sanitation was done correctly	1	76,00
48500007	Food grade silicone suitable for the lubrication of mechanical parts and o.rings	1	74,00
PC100	AcquaSIL 2/15® - anti-scale anti-corrosion product Box with n° 4 refill (250 gr. / each)	1	16,50
PC104	AcquaSIL 2/15® - anti-scale anti-corrosion product Box with n° 1 refill (1 Kg.)	1	16,50

MINIDUE

Compact volumetric dosing pump



- ✓ self-priming, with injection valve that also acts as a non-return valve
- ✓ fully mechanical operation
- ✓ precise dosage, effective treatment with AcquaSIL 2/15®

CHARACTERISTICS

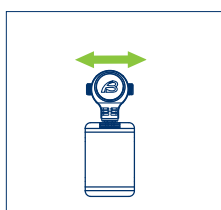
MiniDUE is the new mechanical volumetric dosing pump for dosing AcquaSIL 2/15®, an anti-scaling anti-corrosion product, version with horizontal connection template.

MiniDUE is made with body and connection plate in plastic material; template connection in plastic material with brass ring nuts and nuts;

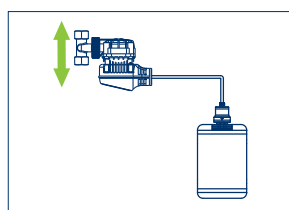
AcquaSIL 2/15® product is supplied in disposable bags of gr. 250 or of 1 kg, to be connected directly to the pump body or to be used with the remote kit connection provided with the standard product.

MiniDUE with the dosage of products based on polyphosphates, even at very low concentrations, will prevent the formation of limescale and corrosion in the hot water distribution lines.

For maintenance and sanitation interventions, please contact the industry professionals.



Version with bag attached to the pump body



Version with remote bag



First AcquaSIL 2/15® refill and remote kit supplied

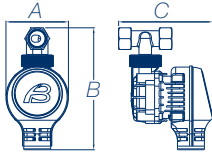
WHAT WE SUPPLY

MiniDUE is placed inside a smooth cardboard box.

The standard supply includes: MiniDUE dosing pump, 250 g AcquaSIL 2/15® refill, remote installation kit, DIMA swivelling connection ("template" brass connection for quick & easy installation), and instructions manual

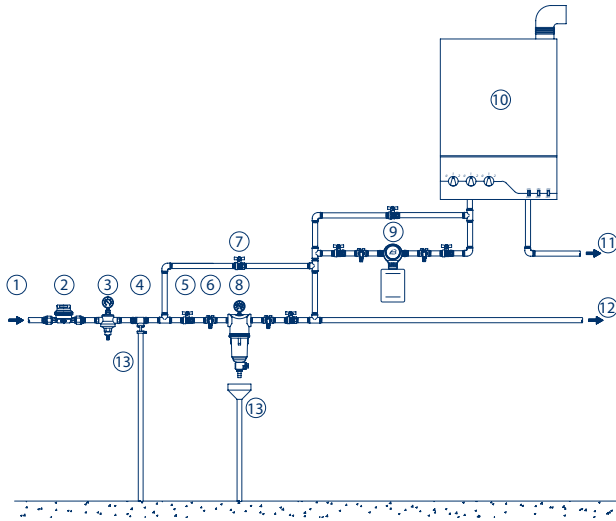
Code	Connections	Flow rate m ³ /h	Min/max pressure bar	Pieces per package	Kg. per package	€
PM005S	½" F	0,8	1,5 - 10	24	19,2	99,00

OVERALL DIMENSIONS EXPRESSED IN MM



Code	Weidth - A	Height - B	Depth - C
PM005S	70	136	105

EXAMPLE OF INSTALLATION SCHEME



Legend

1. Raw water inlet;
2. General counter;
3. Pressure reducer;
4. Disconnect;
5. Shut-off valve;
6. Sampling tap;
7. By-pass valve;
8. Filter;
9. MiniDUE dosing pump;
10. Boiler;
11. Hot water outlet;
12. Cold water outlet;
13. Discharge.

GUIDELINES FOR CORRECT MAINTENANCE

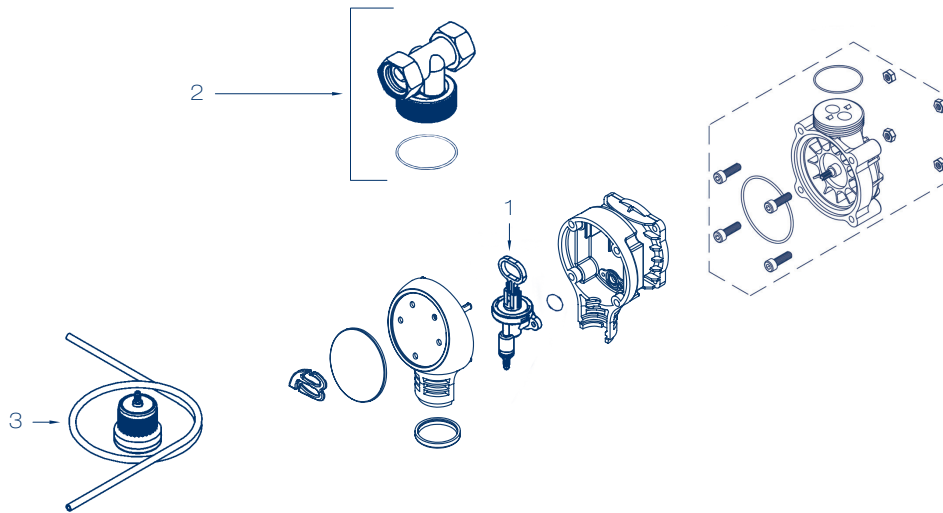


The correct operation and duration of the equipment over time depend on correct installation, proper use and methodical application of the maintenance instructions supplied.

First year	Second year	Third year	Fourth year	Fifth year
CHAMBER ASSEMBLY Clean or lubricate with food grade silicone	CHAMBER ASSEMBLY Clean or lubricate with food grade silicone	CHAMBER ASSEMBLY Replace	CHAMBER ASSEMBLY Clean or lubricate with food grade silicone	CHAMBER ASSEMBLY Clean or lubricate with food grade silicone
SANITATION INTERVENTION Annually or for periods of inactivity longer than 30 days	SANITATION INTERVENTION Annually or for periods of inactivity longer than 30 days	SANITATION INTERVENTION Annually or for periods of inactivity longer than 30 days	SANITATION INTERVENTION Annually or for periods of inactivity longer than 30 days	SANITATION INTERVENTION Annually or for periods of inactivity longer than 30 days

RECOMMENDED SPARE PARTS

Pos.	Code	Description	Q.ty	€
1	99006021	Dosing chamber assembly 1/2"	1	16,00
2	99006003	"Dima" connection assembly	1	28,00
3	99006020	Remote kit assembly	1	20,00



CONSUMABLES AND MAINTENANCE

Code	Description	Q.ty	€
48170005	KIT SANITY Sanitizing product for sanitation processes 1Kg. can - 4 Kg. pack	1	98,00
48105016	PEROXIDE ANALYSIS KIT for KIT SANITY The kit allows you to check whether the sanitation was done correctly	1	76,00
48500007	Food grade silicone suitable for the lubrication of mechanical parts and o.rings	1	74,00
PC100	AcquaSIL 2/15® - anti-scale anti-corrosion product Box with n° 4 refill (250 gr. / each)	1	16,50
PC104	AcquaSIL 2/15® - anti-scale anti-corrosion product Box with n° 1 refill (1 Kg.)	1	16,50

MINIDUE OTTONE

Compact volumetric dosing pump



- ✓ self-priming, with injection valve that also acts as a non-return valve
- ✓ fully mechanical operation
- ✓ precise dosage, effective treatment with AcquaSIL 2/15®

CHARACTERISTICS

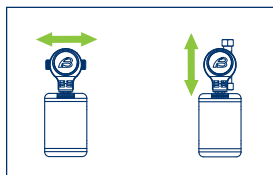
Range of new mechanical volumetric dosing pumps for dosing AcquaSIL 2/15®, anti-corrosion anti-scale product, pump equipped with horizontal or vertical connection.

MiniDUE OTTONE is made with a brass attachment plate and a plastic pump body; in the MiniDUE version it is supplied with nuts and tangs for hydraulic installation;

AcquaSIL 2/15® product is supplied in disposable bags of gr. 250 or of 1 kg, to be connected directly to the pump body or to be used with the remote kit connection provided with the standard product.

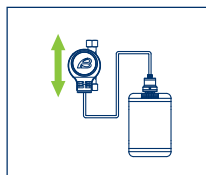
MiniDUE OTTONE with the dosage of products based on polyphosphates, even at very low concentrations, will prevent the formation of limescale and corrosion in the hot water distribution lines.

For maintenance and sanitation interventions, please contact the industry professionals .



PM002S PM003/2S

Version with bag attached to the pump body



PM003/2S

Version with remote bag



Brass outer F



First AcquaSIL 2/15® refill and remote kit supplied

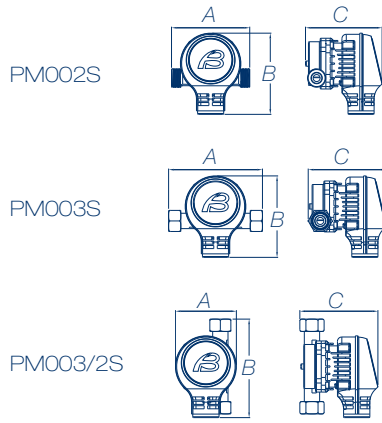
WHAT WE SUPPLY

MiniDUE OTTONE is placed inside a smooth cardboard box.

The standard supply includes: MiniDUE OTTONE dosing pump, 250 g AcquaSIL 2/15® refill, remote installation kit, instructions manual.

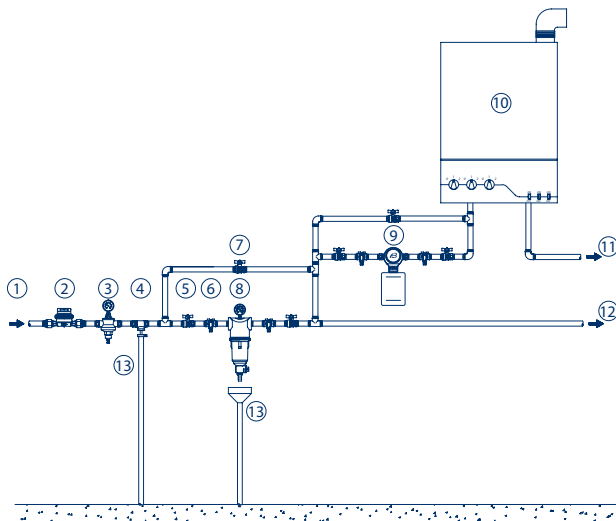
Code	Connections	Flow rate m ³ /h	Min/max pressure bar	Pieces per package	Kg. per package	€
PM002S	1/2" M	1,2	1,5 - 10	24	18	110,00
PM003S	1/2" F	1,2	1,5 - 10	24	20,4	114,00
PM003/2S	1/2" F	1,2	1,5 - 10	24	20,4	114,00

OVERALL DIMENSIONS EXPRESSED IN MM



Code	Width - A	Height - B	Depth - C
PM002S	90	92	88
PM003S	108	92	89
PM003/2S	70	112	90

EXAMPLE OF INSTALLATION SCHEME



Legend

1. Raw water inlet;
2. General counter;
3. Pressure reducer;
4. Disconnect;
5. Shut-off valve;
6. Sampling tap;
7. By-pass valve;
8. Filter;
9. MiniDUE dosing pump;
10. Boiler;
11. Hot water outlet;
12. Cold water outlet;
13. Discharge.

GUIDELINES FOR CORRECT MAINTENANCE

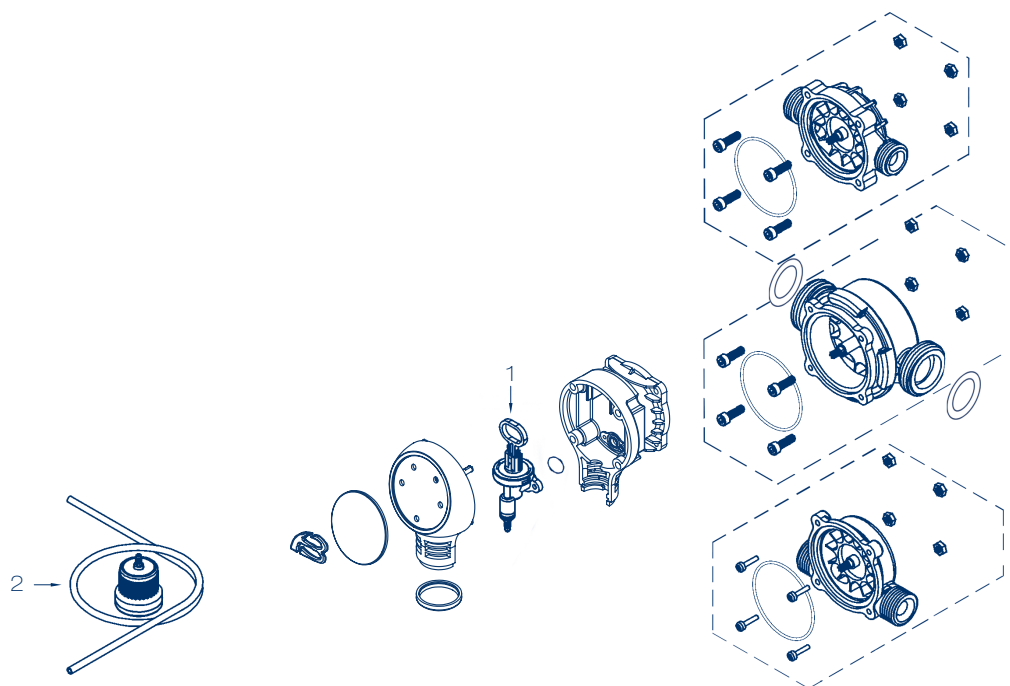


The correct operation and duration of the equipment over time depend on correct installation, proper use and methodical application of the maintenance instructions supplied.

First year	Second year	Third year	Fourth year	Fifth year
CHAMBER ASSEMBLY Clean or lubricate with food grade silicone	CHAMBER ASSEMBLY Clean or lubricate with food grade silicone	CHAMBER ASSEMBLY Replace	CHAMBER ASSEMBLY Clean or lubricate with food grade silicone	CHAMBER ASSEMBLY Clean or lubricate with food grade silicone
SANITATION INTERVENTION Annually or for periods of inactivity longer than 30 days	SANITATION INTERVENTION Annually or for periods of inactivity longer than 30 days	SANITATION INTERVENTION Annually or for periods of inactivity longer than 30 days	SANITATION INTERVENTION Annually or for periods of inactivity longer than 30 days	SANITATION INTERVENTION Annually or for periods of inactivity longer than 30 days

RECOMMENDED SPARE PARTS

Pos.	Code	Description	Q.ty	€
1	99006021	Dosing chamber assembly 1/2"	1	16,00
2	99006020	Remote kit assembly	1	20,00



CONSUMABLES AND MAINTENANCE

Code	Description	Q.ty	€
48170005	KIT SANITY Sanitizing product for sanitation processes 1 Kg. can - 4 Kg. pack	1	98,00
48105016	PEROXIDE ANALYSIS KIT for KIT SANITY The kit allows you to check whether the sanitation was done correctly	1	76,00
48500007	Food grade silicone suitable for the lubrication of mechanical parts and o.rings	1	74,00
PC100	AcquaSIL 2/15® - anti-scale anti-corrosion product Box with n° 4 refill (250 gr. / each)	1	16,50
PC104	AcquaSIL 2/15® - anti-scale anti-corrosion product Box with n° 1 refill (1 Kg.)	1	16,50

MINIDUE 3/4

Compact volumetric dosing pump



- ✓ self-priming, with injection valve that also acts as a valve of no return
- ✓ suitable for installation upstream of the treatment systems of the entire sanitary line

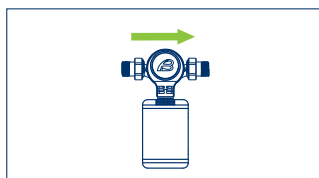
CHARACTERISTICS

Range of new mechanical volumetric dosing pumps for dosing AcquaSIL 2/15®, anti-corrosion anti-scale product, pump equipped with horizontal or vertical connection. MiniDUE 3/4 is made with a brass attachment plate and a plastic pump body; in the MiniDUE version it is supplied with nuts and tangs for hydraulic installation;

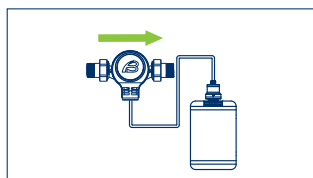
AcquaSIL 2/15® product is supplied in disposable bags of gr. 250 or of 1 kg, to be connected directly to the pump body or to be used with the remote kit connection provided with the standard product.

MiniDUE 3/4 with the dosage of products based on polyphosphates, even at very low concentrations, will prevent the formation of limescale and corrosion in the hot water distribution lines.

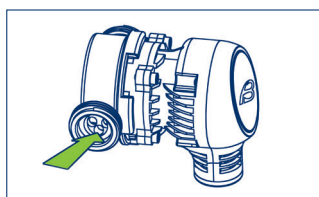
For maintenance and sanitation interventions, please contact the industry professionals.



Version with bag attached to the pump body



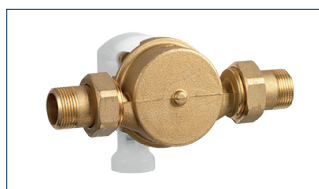
Version with remote bag



Attention: entry only from the side of the 3 holes



Unscrew the screw, rotate and change the water inlet/outlet direction



Brass counter tangs and nuts supplied



First AcquaSIL 2/15® refill and remote kit supplied

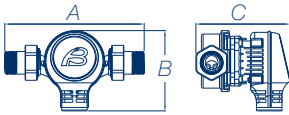
WHAT WE SUPPLY

MiniDUE 3/4 is placed inside a smooth cardboard box.

The standard supply includes: MiniDUE 3/4 dosing pump, 250 g AcquaSIL 2/15® refill, remote installation kit, instructions manual.

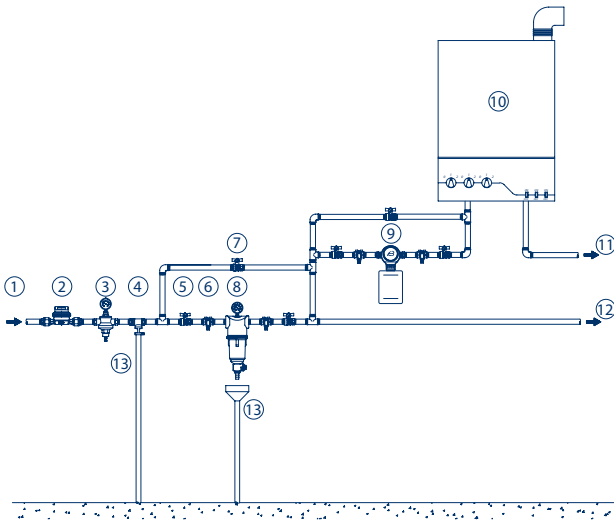
Code	Connections	Flow rate m ³ /h	Min/max pressure bar	Pieces per package	Kg. per package	€
PM011S	3/4" M	1,8	1,5 - 10	24	26,4	232,00

OVERALL DIMENSIONS EXPRESSED IN MM



Code	Weidth - A	Height - B	Depth - C
PM011S	164	94	111

EXAMPLE OF INSTALLATION SCHEME



Legend

1. Raw water inlet;
2. General counter;
3. Pressure reducer;
4. Disconnecter;
5. Shut-off valve;
6. Sampling tap;
7. By-pass valve;
8. Filter;
9. MiniDUE dosing pump;
10. Boiler;
11. Hot water outlet;
12. Cold water outlet;
13. Discharge.

GUIDELINES FOR CORRECT MAINTENANCE

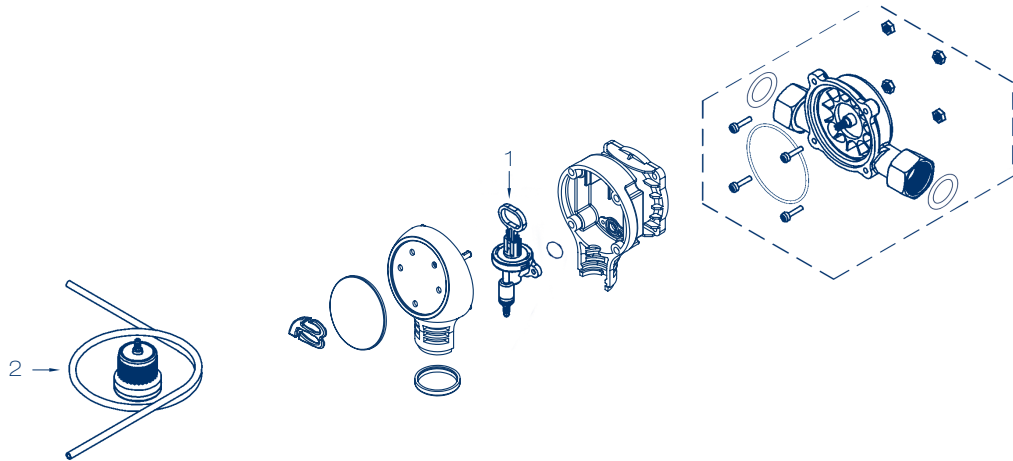


The correct operation and duration of the equipment over time depend on correct installation, proper use and methodical application of the maintenance instructions supplied.

First year	Second year	Third year	Fourth year	Fifth year
CHAMBER ASSEMBLY Clean or lubricate with food grade silicone	CHAMBER ASSEMBLY Clean or lubricate with food grade silicone	CHAMBER ASSEMBLY Replace	CHAMBER ASSEMBLY Clean or lubricate with food grade silicone	CHAMBER ASSEMBLY Clean or lubricate with food grade silicone
SANITATION INTERVENTION Annually or for periods of inactivity longer than 30 days	SANITATION INTERVENTION Annually or for periods of inactivity longer than 30 days	SANITATION INTERVENTION Annually or for periods of inactivity longer than 30 days	SANITATION INTERVENTION Annually or for periods of inactivity longer than 30 days	SANITATION INTERVENTION Annually or for periods of inactivity longer than 30 days

RECOMMENDED SPARE PARTS

Pos.	Code	Description	Q.ty	€
1	99006028	Dosing chamber assembly 3/4"	1	17,00
2	99006020	Remote kit assembly	1	20,00



CONSUMABLES AND MAINTENANCE

Code	Description	Q.ty	€
48170005	KIT SANITY Sanitizing product for sanitation processes 1 Kg. can - 4 Kg. pack	1	98,00
48105016	PEROXIDE ANALYSIS KIT for KIT SANITY The kit allows you to check whether the sanitation was done correctly	1	76,00
48500007	Food grade silicone suitable for the lubrication of mechanical parts and o.rings	1	74,00
PC100	AcquaSIL 2/15® - anti-scale anti-corrosion product Box with n° 4 refill (250 gr. / each)	1	16,50
PC104	AcquaSIL 2/15® - anti-scale anti-corrosion product Box with n° 1 refill (1 Kg.)	1	16,50

BRAVADOS

Electronic volumetric dosing pump



- ✓ self-priming
- ✓ the injection valve also acts as a non-return valve
- ✓ suitable for the complete treatment of up to 20 apartments of the entire sanitary line

CHARACTERISTICS

BravaDOS is an electronic volumetric proportional dosing pump for dosing AcquaSIL 20/40®, an anti-scaling anti-corrosion product. BravaDOS is made with a brass connection plate, pump body in plastic material. In models with 3/4" - 1" - 1 1/4" connections, nuts and tangs are supplied for hydraulic installation

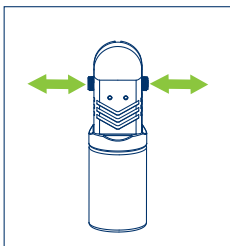
BravaDOS is designed for the dosage of products based on polyphosphates, even at low concentrations, to prevent the formation of limescale and corrosion on the sanitary line.

For maintenance and sanitation interventions, please contact the industry professionals.

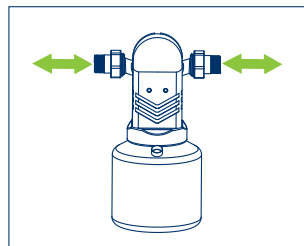


FUNCTION INDICATORS

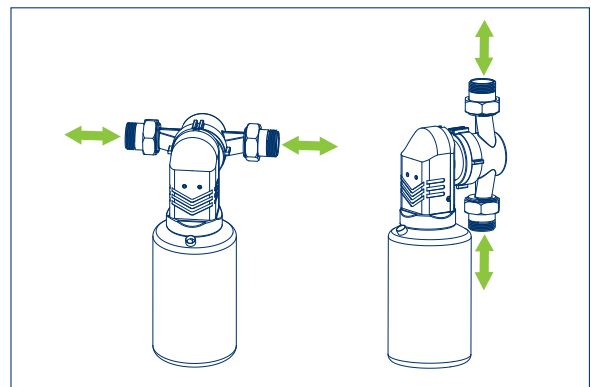
- green led on: voltage
- flashing green LED: AcquaSIL 20/40® product dosage
- red led on + acoustic signal: product reserve



PM010



PM012



PM014 - PM016

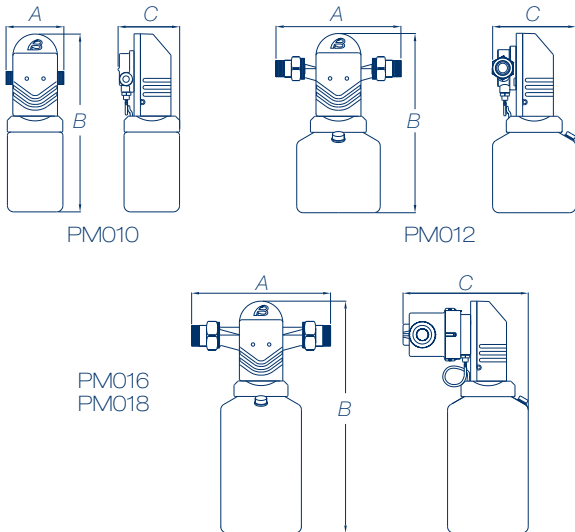
WHAT WE SUPPLY

BravaDOS is placed inside a smooth cardboard box.

The standard equipment includes: BravaDOS pump, nuts and tangs (for models PM012, PM014, PM016), instructions for use.

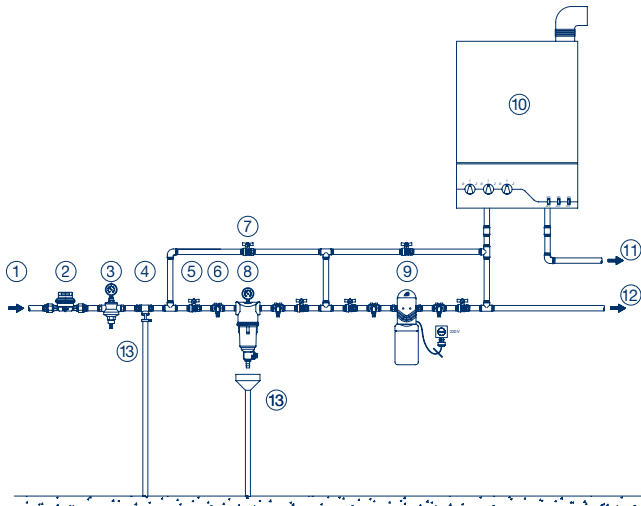
Code	Connections	Flow rate m³/h	Min/max pressure bar	Pieces per package	Kg. per package	€
PM010	1/2" M	1,5	1,5 - 6	6	6,3	266,00
PM012	3/4" M	3,0	1,5 - 6	6	7,5	330,00
PM014	1" M	4,5	1,5 - 6	4	13,7	485,00
PM016	1 1/4" M	6,0	1,5 - 6	4	14,5	625,00

OVERALL DIMENSIONS EXPRESSED IN MM



Code	Weidth - A	Height - B	Depth - C
PM010	90	282	97
PM012	185	282	130
PM014	230	380	202
PM016	235	380	202

EXAMPLE OF INSTALLATION SCHEME



Legend

1. Raw water inlet;
2. General counter;
3. Pressure reducer;
4. Disconnector;
5. Shut-off valve;
6. Sampling tap;
7. By-pass valve;
8. Filter;
9. MiniDUE dosing pump;
10. Boiler;
11. Hot water outlet;
12. Cold water outlet;
13. Discharge.

GUIDELINES FOR CORRECT MAINTENANCE

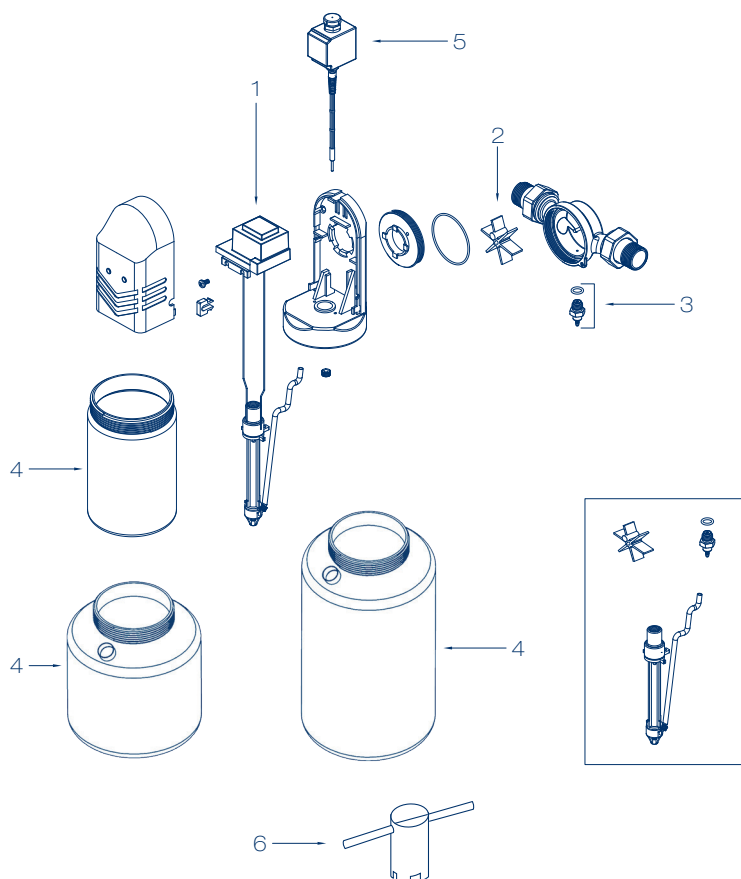


The correct operation and duration of the equipment over time depend on correct installation, proper use and methodical application of the maintenance instructions supplied.

First year	Second year	Third year	Fourth year	Fifth year
CHAMBER ASSEMBLY Clean or lubricate with food grade silicone	CHAMBER ASSEMBLY Clean or lubricate with food grade silicone	CHAMBER ASSEMBLY Replace	CHAMBER ASSEMBLY Clean or lubricate with food grade silicone	CHAMBER ASSEMBLY Clean or lubricate with food grade silicone
INJECTION VALVE ASSEMBLY Clean or lubricate with food grade silicone	INJECTION VALVE ASSEMBLY Clean or lubricate with food grade silicone	INJECTION VALVE ASSEMBLY Replace	INJECTION VALVE ASSEMBLY Clean or lubricate with food grade silicone	INJECTION VALVE ASSEMBLY Clean or lubricate with food grade silicone
SANITATION INTERVENTION Annually or for periods of inactivity longer than 30 days	SANITATION INTERVENTION Annually or for periods of inactivity longer than 30 days	SANITATION INTERVENTION Annually or for periods of inactivity longer than 30 days	SANITATION INTERVENTION Annually or for periods of inactivity longer than 30 days	SANITATION INTERVENTION Annually or for periods of inactivity longer than 30 days

RECOMMENDED SPARE PARTS

Pos.	Code	Description	Q.ty	PM010	PM012	PM014	PM016	€
1	99005007	Circuit assembly	1	✓	✓	✓	✓	63,00
	99005002	Impeller assembly	1	✓				9,80
2	99005010	Impeller assembly	1		✓			11,60
	99005018	Impeller assembly	1			✓	✓	32,00
3	99006001	Injection valve assembly	1	✓	✓	✓	✓	24,00
	25005001	500 ml. tank with serigraphy	1	✓				12,00
4	25005002	1000 ml. tank with serigraphy	1		✓			14,00
	99005013	2500 ml. tank with label	1			✓	✓	18,00
5	99005016	Reel and shaft assembly	1	✓	✓			42,00
	99005017	Reel and shaft assembly	1			✓	✓	44,00
6	AV100	Counter diaphragm disassembly wrench				✓		18,00



CONSUMABLES AND MAINTENANCE

Code	Description	Q.ty	€
48170005	KIT SANITY Prodotto sanificante per processi di igienizzazione barattoli da 1 Kg. - confezione da Kg. 4	1	98,00
48105016	PEROXIDE ANALYSIS KIT for KIT SANITY The kit allows you to check whether the sanitation was done correctly	1	76,00
48500007	Food grade silicone suitable for the lubrication of mechanical parts and o.rings	1	74,00
PC002	AcquaSIL 20/40® - anti-scale anti-corrosion product Kg. 1 bottle	1	15,60
PC003	AcquaSIL 20/40® - anti-scale anti-corrosion product Kg. 5 tank	1	70,00

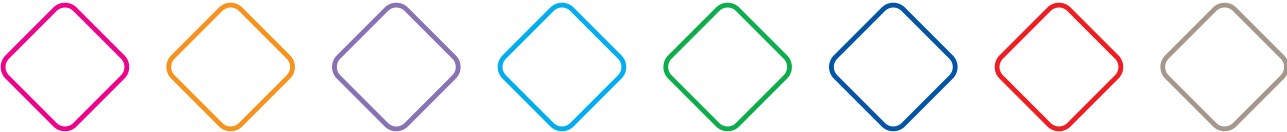
WATER REFINER AND COOLING GASIFIER SYSTEMS

REFINING DRINKING WATER

Water distributed through the water mains, even if strictly controlled to ensure its potability, may contain substances that make its taste unpleasant.

Kits are available for additional water treatment at the point of use, capable of making water good and pure, equipment such as osmosis and chillers are also available to obtain light, still, fresh and sparkling water.

The benefits are huge: low cost, convenience of use, no storage of bottles, no disposal of plastic or glass.





- **HOME SYSTEMS
FOR DRINKING WATER MICROFILTRATION**

MINIMAL MAINTENANCE
ENVIRONMENTAL PROTECTION

KIT BRAVO-PRO

Water refiner with 1-way tap



- ✓ improves the organoleptic characteristics of your mains water
- ✓ removes unpleasant tastes and odours
- ✓ without electrical connections
- ✓ sintered activated carbon cartridge with silver added
- ✓ litre-counter tap with led indicating that cartridge change is required
- ✓ practical, compact and easy to handle

CHARACTERISTICS

The BRAVO-PRO KIT is suitable to remove turbidity, unwanted smells and tastes. It reduces the content of chlorine and organic compounds, making water fine and good so as to replace bottled water, thereby reducing costs and eliminating plastic disposal.

BRAVO-PRO KIT is composed of a SMALL cartridge made of Carbon Block and silver ions, with a nominal filtration degree of 0.5 micron, cartridge connection header, 10-6 in out quick fittings and a smart 1 way tap with swan neck in stainless steel 304 and chromed brass support base, with a led indicating that the BRAVO-PRO KIT filter is exhausted.



ITEMS NOT INCLUDED

BravoPRO pre-treatment filter, CO2 cylinder, pressure reducer, tap, drip tray, litre counter.

Code	In/out couplings	Flow rate lt/min	min/max pressure bar	Pieces per package	Kg. per package	€
DP0200	10 - 6	3,0	2 - 6	1	1,8	279,00

GUIDELINES FOR CORRECT MAINTENANCE



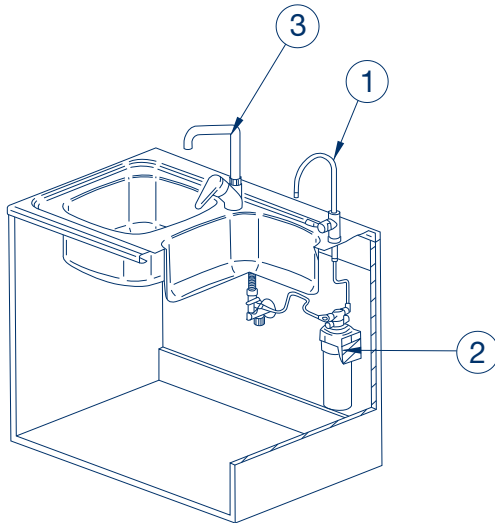
The correct operation and duration of the equipment over time depend on correct installation, proper use and methodical application of the maintenance instructions supplied.

First year	Second year	Third year	Fourth year	Fifth year
SMALL CARTRIDGE (10600 L service life)	SMALL CARTRIDGE (10600 L service life)	SMALL CARTRIDGE (10600 L service life)	SMALL CARTRIDGE (10600 L service life)	SMALL CARTRIDGE (10600 L service life)
MEDIUM CARTRIDGE (16900 L service life)	MEDIUM CARTRIDGE (16900 L service life)	MEDIUM CARTRIDGE (16900 L service life)	MEDIUM CARTRIDGE (16900 L service life)	MEDIUM CARTRIDGE (16900 L service life)
Replace as needed	Replace as needed	Replace as needed	Replace as needed	Replace as needed
SANITATION To be carried out when replacing cartridges or when not used for longer than 30 days	SANITATION To be carried out when replacing cartridges or when not used for longer than 30 days	SANITATION To be carried out when replacing cartridges or when not used for longer than 30 days	SANITATION To be carried out when replacing cartridges or when not used for longer than 30 days	SANITATION To be carried out when replacing cartridges or when not used for longer than 30 days

RECOMMENDED SPARE PARTS

Codice	Description	Max service life	Q.ty	€
32016200	Small cartridge	10600 lt	1	52,00
32016202	Medium cartridge	16900 lt	1	76,50

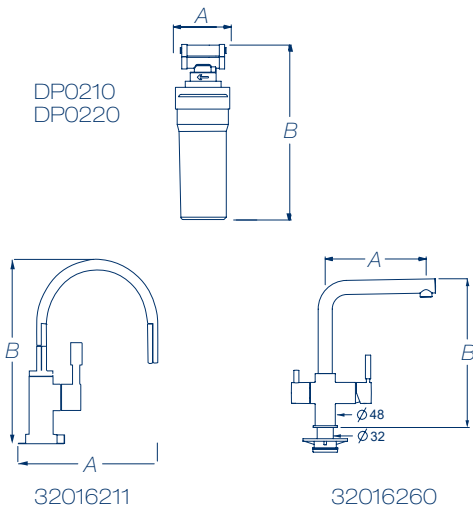
EXAMPLE OF INSTALLATION SCHEME



Legend

1. Dedicated over-sink tap for dispensing filtered treated water;
2. KIT BRAVO-PRO
3. Mains water mixer already present

OVERALL DIMENSIONS EXPRESSED IN MM



Code	Width - A	Height - B	Depth - C
DP0210	145	300	100
DP0220	145	420	100
32016211	170	280	
32016260	200	295	

KIT BRAVO-PRO 2

Water refiner with 3-way tap



- ✓ improves the organoleptic characteristics of your mains water
- ✓ removes unpleasant tastes and odours
- ✓ without electrical connections
- ✓ sintered activated carbon cartridge with silver added
- ✓ litre-counter tap with led indicating that cartridge change is required
- ✓ practical, compact and easy to handle

CHARACTERISTICS

The KIT BRAVO-PRO 2 is suitable to remove turbidity, unwanted smells and tastes. It reduces the content of chlorine and organic compounds, making water fine and good so as to replace bottled water, thereby reducing costs and eliminating plastic disposal.

KIT BRAVO-PRO 2 is composed of a SMALL cartridge made of Carbon Block and silver ions, with a nominal filtration degree of 0.5 micron, cartridge connection header, 10-6 in out quick fittings and a smart 3 way tap with swan neck in stainless steel 304 and chromed brass support base, with a led indicating that the KIT BRAVO-PRO filter is exhausted.



ITEMS NOT INCLUDED

BravoPRO pre-treatment filter, CO2 cylinder, pressure reducer, tap, drip tray, litre counter.

Code	In/out couplings	Flow rate lt/min	min/max pressure bar	Pieces per package	Kg. per package	€
DP0202	10 - 6	4,5	2 - 6	1	2,1	798,00

GUIDELINES FOR CORRECT MAINTENANCE



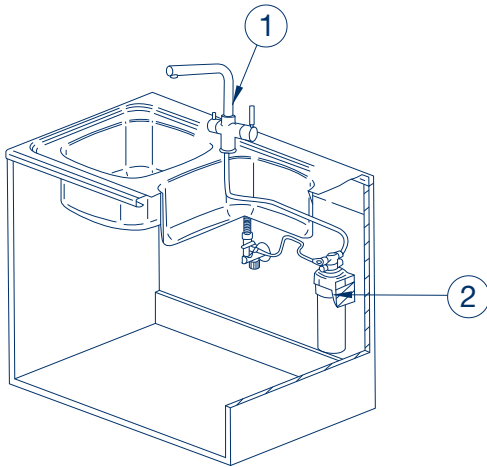
The correct operation and duration of the equipment over time depend on correct installation, proper use and methodical application of the maintenance instructions supplied.

First year	Second year	Third year	Fourth year	Fifth year
SMALL CARTRIDGE (10600 L service life)	SMALL CARTRIDGE (10600 L service life)	SMALL CARTRIDGE (10600 L service life)	SMALL CARTRIDGE (10600 L service life)	SMALL CARTRIDGE (10600 L service life)
MEDIUM CARTRIDGE (16900 L service life)	MEDIUM CARTRIDGE (16900 L service life)	MEDIUM CARTRIDGE (16900 L service life)	MEDIUM CARTRIDGE (16900 L service life)	MEDIUM CARTRIDGE (16900 L service life)
Replace as needed	Replace as needed	Replace as needed	Replace as needed	Replace as needed
SANITATION To be carried out when replacing cartridges or when not used for longer than 30 days	SANITATION To be carried out when replacing cartridges or when not used for longer than 30 days	SANITATION To be carried out when replacing cartridges or when not used for longer than 30 days	SANITATION To be carried out when replacing cartridges or when not used for longer than 30 days	SANITATION To be carried out when replacing cartridges or when not used for longer than 30 days

RECOMMENDED SPARE PARTS

Codice	Description	Max service life	Q.ty	€
32016200	Small cartridge	10600 lt	1	52,00
32016202	Medium cartridge	16900 lt	1	76,50

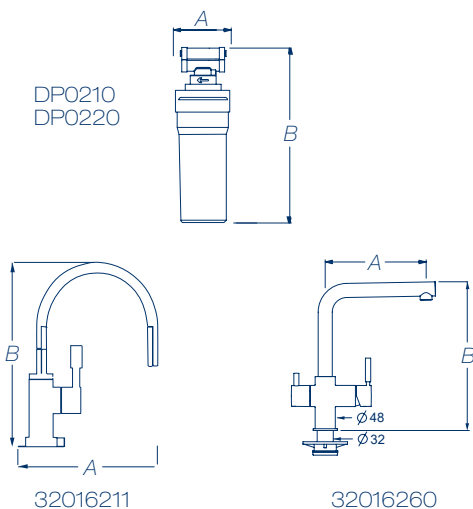
EXAMPLE OF INSTALLATION SCHEME



Legend

- 3-way tap for supplying mains water and filtered treated water;
- KIT BRAVO PRO 2

OVERALL DIMENSIONS EXPRESSED IN MM



Code	Width - A	Height - B	Depth - C
DP0210	145	300	100
DP0220	145	420	100
32016211	170	280	
32016260	200	295	

CASAMIA®

Fridge gasifier



- ✓ supplies chilled and carbonated drinking water at room temperature
- ✓ built-in microfiltration system that reduces chlorine and other trace substances
- ✓ small size

CHARACTERISTICS

Equipment for microfiltrating and dispensing chilled and carbonated drinking water at room temperature - equipped with KW802S activated carbon filter with header + disposable CO₂ 600 gr cylinder + pressure reducer + water connection kit with 4x6 pipe and fitting + 4.5 litre top water container (Alternative to water connection) - mains pressure: 1.8 - 4.5 Bar - mechanical water temperature adjustment: 3°C - 8°C - supply voltage: 230 V 50 Hz 190W

You can operate CasaMIA® with a refillable cylinder of higher CO₂ capacity, by choosing the solutions on the next page and purchasing the adapter for the pressure reducer fitted in the piece of equipment.



Operation even without hydraulic installation, with the practical 4.5 lt upper water tank



CO₂ cylinder and filter, easily accessible by opening the front panel



Personalized front panels - Standard version black front panel

WHAT WE SUPPLY

Standard equipment includes: CasaMIA® fridge-gasifier, KW802S activated carbon filter with header, disposable CO₂ 600 gr cylinder, pressure reducer, water connection kit with 4x6 pipe and fitting, 4.5 litre upper water container.

Code	Water inlet couplings	Flow rate lt/h	Min/max pressure bar	Pieces per package	Kg. per package	€
RF200	6 x 4	12	1,8 - 4,5	1	20,0	1.460,00

GUIDELINES FOR CORRECT MAINTENANCE



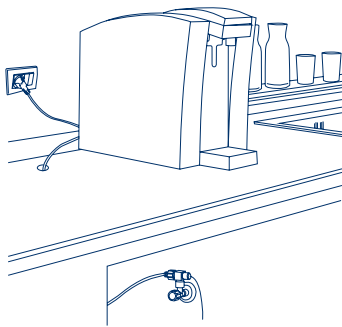
The correct operation and duration of the equipment over time depend on correct installation, proper use and methodical application of the maintenance instructions supplied.

First year	Second year	Third year	Fourth year	Fifth year
ACTIVATED CARBON FILTER (1900 L service life) Replace as needed	ACTIVATED CARBON FILTER (1900 L service life) Replace as needed	ACTIVATED CARBON FILTER (1900 L service life) Replace as needed	ACTIVATED CARBON FILTER (1900 L service life) Replace as needed	ACTIVATED CARBON FILTER (1900 L service life) Replace as needed
CO ₂ CYLINDER disposable (Approx. 100 L service life)	CO ₂ CYLINDER disposable (Approx. 100 L service life)	CO ₂ CYLINDER disposable (Approx. 100 L service life)	CO ₂ CYLINDER disposable (Approx. 100 L service life)	CO ₂ CYLINDER disposable (Approx. 100 L service life)
SANITATION To be performed when replacing cartridges and when not used for longer than 30 days	SANITATION To be performed when replacing cartridges and when not used for longer than 30 days	SANITATION To be performed when replacing cartridges and when not used for longer than 30 days	SANITATION To be performed when replacing cartridges and when not used for longer than 30 days	SANITATION To be performed when replacing cartridges and when not used for longer than 30 days

RECOMMENDED SPARE PARTS

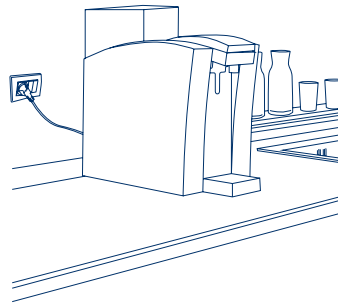
Code	Description	Max service life	Q.ty	€
32016223	KW802S activated carbon filter	12 months - 3600 lt	1	65,00
32016006	CO ₂ cylinder 600 gr	100 lt - sparkling water	1	34,00
32016051	1 Kg refillable cylinder with first charge included	Ø 11,1 - H. 26,6 cm		244,00
32016052	1.5 Kg refillable cylinder with first charge included	Ø 10,2 - H. 38,5 cm		246,00
32016053	2 Kg refillable cylinder with first charge included	Ø 12 - H. 40 cm		249,00
46400003	Food grade pipe (water supply)	Ø 6x4 mm		per metre 5,80

EXAMPLE OF INSTALLATION SCHEME



Legend

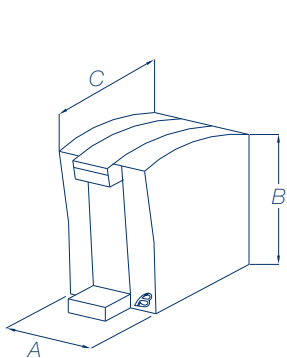
CasaMia®
with installation to
the water mains



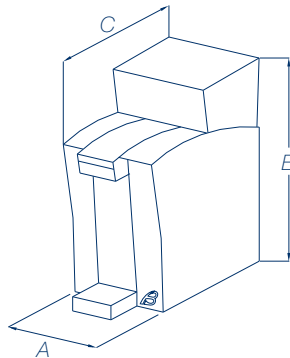
Legend

CasaMia®
version without installation
to the water mains with water
filling tank

OVERALL DIMENSIONS EXPRESSED IN MM



RF200
with installation to the water
mains



RF200
without installation to the water
mains with storage tank

Code	Width A	Height B	Depth C
RF200 with installation to the water mains	230	370	480
RF200 without installation to the water mains with storage tank	230	470	480

CASAMIA® S

Under-sink fridge-gasifier



- ✓ supplies chilled and carbonated drinking water at room temperature
- ✓ built-in microfiltration system that reduces chlorine and other trace substances
- ✓ small size

CHARACTERISTICS

Under-sink equipment designed to preserve the space available on the kitchen counter, that delivers chilled and carbonated microfiltered water at room temperature - complete with KW802S active carbon filter with head + disposable CO₂ cylinder, 600 gr + pressure reducer + water connection kit with 4x6 pipe and fitting - mains pressure: 1.8 - 4.5 Bar - mechanical water temperature adjustment: 3°C - 8°C - supply voltage: 230 V 50 Hz 190W.

You can operate CASAMIA® S with a refillable cylinder of higher CO₂ capacity, by choosing the solutions on the next page and purchasing the adapter for the pressure reducer fitted in the piece of equipment.



Smooth



Smooth and fresh



Fresh and sparkling

WHAT WE SUPPLY

Standard equipment includes: CASAMIA® fridge-gasifier, KW802S activated carbon filter with header, disposable CO₂ 600 gr cylinder, pressure reducer, water connection kit with 4x6 pipe and fitting.

Code	Model	Flow rate lt/h	€
RF202	CasaMia® S	12	1.420,00

GUIDELINES FOR CORRECT MAINTENANCE



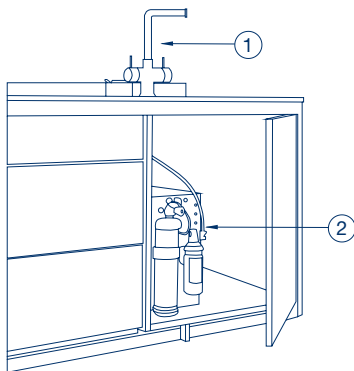
The correct operation and duration of the equipment over time depend on correct installation, proper use and methodical application of the maintenance instructions supplied.

First year	Second year	Third year	Fourth year	Fifth year
ACTIVATED CARBON FILTER (1900 L service life) Replace as needed	ACTIVATED CARBON FILTER (1900 L service life) Replace as needed	ACTIVATED CARBON FILTER (1900 L service life) Replace as needed	ACTIVATED CARBON FILTER (1900 L service life) Replace as needed	ACTIVATED CARBON FILTER (1900 L service life) Replace as needed
CO ₂ CYLINDER disposable (Approx. 100 L service life)	CO ₂ CYLINDER disposable (Approx. 100 L service life)	CO ₂ CYLINDER disposable (Approx. 100 L service life)	CO ₂ CYLINDER disposable (Approx. 100 L service life)	CO ₂ CYLINDER disposable (Approx. 100 L service life)
SANITATION To be performed when replacing cartridges and when not used for longer than 30 days	SANITATION To be performed when replacing cartridges and when not used for longer than 30 days	SANITATION To be performed when replacing cartridges and when not used for longer than 30 days	SANITATION To be performed when replacing cartridges and when not used for longer than 30 days	SANITATION To be performed when replacing cartridges and when not used for longer than 30 days

RECOMMENDED SPARE PARTS

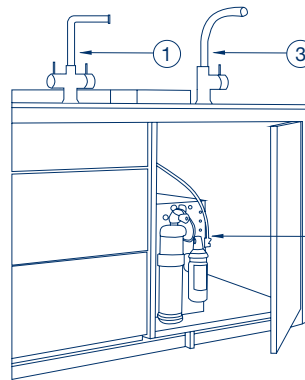
Code	Description	Max service life	Q.ty	€
32016223	KW802S activated carbon filter	12 months - 3600 lt	1	65,00
32016006	CO ₂ cylinder 600 gr	100 lt - sparkling water	1	34,00
32016051	1 Kg refillable cylinder with first charge included	Ø 11,1 - H. 26,6 cm		244,00
32016052	1.5 Kg refillable cylinder with first charge included	Ø 10,2 - H. 38,5 cm		246,00
32016053	2 Kg refillable cylinder with first charge included	Ø 12 - H. 40 cm		249,00
46400003	Food grade pipe (water supply)	Ø 6x4 mm		per metre 5,80

EXAMPLE OF INSTALLATION SCHEME



Legend

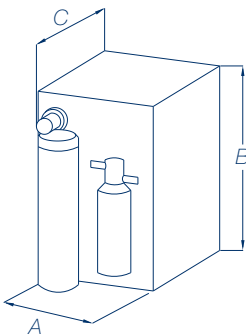
1. 5-way mixer for supplying mains water and treated water
2. CasaMia® S



Legend

1. Dedicated 3-way mixer for dispensing treated water
2. CasaMia® S
3. Mains water mixer already present

OVERALL DIMENSIONS EXPRESSED IN MM



Code	Width - A	Height - B	Depth - C
RF202	230	350	360

CHEMICAL CONDITIONING

The presence of various substances can give water undesired characteristics: high hardness values, pH values other than neutral, presence of bacterial load, presence of dissolved oxygen. In these cases, it may be necessary to adjust the water characteristics by adding special chemicals through accurate and reliable dosing systems. The regulations in force concerning water treatment envisage that systems and equipment be protected by dosing specific chemical products. Acqua Brevetti's range of products for dosing purposes can satisfy the widest variety of application needs.

There are several chemicals that can be dosed in the water, and each of them has its own specific function.

Acqua Brevetti has a complete range of chemical products capable of satisfying all the needs of water treatment for civil and technological use.





- **ACQUASIL® LINE**
ANTI-SCALING AND ANTI-CORROSIVE FOR DRINKING WATER

Lime scale and corrosion are crucial problems affecting plumbing systems. The current legislation on energy saving requires measures to be taken against these problems which significantly reduce the efficiency and useful life of boilers and systems, causing energy waste. Not only. The recent directive (EU) 2020/2184 (new water directive) recognizes that the release of lead into water by obsolete components in outdated domestic systems continues to be a problem for many buildings.

The proportional dosage of substances with an anti-corrosive and anti-scaling effect is an effective and safe alternative to prevent limescale deposits (responsible for energy waste) and corrosion (cause of metal release in drinking water), protecting the systems in sustainable and economic way.

Both the Decree of the Ministry of Economic Development of 26 June 2015 (Minimum Requirements Decree) and the UNI 8065 standard recognize the importance of chemical conditioning for achieving satisfactory energy performance in buildings and make its application mandatory.

Polyphosphates represent a safe and sustainable alternative to protect plumbing systems. Through a mechanism known as the "threshold effect", polyphosphates, if present in the water in concentrations of a few mg / l, interfere with the growth and accretion phenomena of encrustations. At the same time, the polyphosphates create a protective film on the metal surfaces that hinders the migration of metals (such as lead) into the water.

The products of the AcquaSIL® line are liquid solutions of polyphosphates specifically formulated to achieve an effective "threshold effect" even at very low concentrations (less than 3.5 mg / l as P_2O_5). Dosing with equipment Acqua Brevetti (MiniDUE, BravaDOS, add or remove names) optimizes consumption, avoiding waste and maximizing yield. The stabilizing action and film-forming capacity of AcquaSIL® are effective with water with hardness between 5 ° f and 35 ° f and with instant water temperatures up to 80 ° C and storage temperatures up to 60 ° C.

The products of the AcquaSIL® line meet the strict purity requirements established by the UNI EN 1212 standard relating to the requirements of the products used for the treatment of water intended for human consumption.

The products of the AcquaSIL® line are not classified as hazardous to health and the environment according to current regulations (Regulation (EC) No. 1272/2008 and subsequent amendments).



ACQUASIL® 2/15

For all MiniDUE models



- ✓ hinders the formation of limestone deposits
- ✓ prevents corrosive phenomena of metal components
- ✓ effective with water with hardness between 5 °f and 35 °f
- ✓ it also gradually heals already encrusted circuits
- ✓ flexible disposable bags from gr. 250 or kg. 1
- ✓ supplied with a bag of gr. 250 in each MiniDUE pump package

CHARACTERISTICS

Aqueous solution of specific polyphosphates for drinking water with double protective anticorrosive and anti-scale effect - moderate hardness up to 35 ° f - instantaneous temperatures up to 80 ° C and storage temperatures up to 60 ° C.

Code	Description	Kg. per package	Pieces per package	€
PC100	Box containing 4 refills of gr. 250 / each	1	8	16,50
PC104	Box containing 1 refill of 1 Kg	1	8	16,50

ACQUASIL® 20/40

For all BravaDOS models



- ✓ hinders the formation of limestone deposits
- ✓ prevents corrosive phenomena of metal components
- ✓ effective with water with hardness between 5 °f and 35 °f
- ✓ it also gradually heals already encrusted circuits

CHARACTERISTICS

Aqueous solution of specific polyphosphates for drinking water with double protective anticorrosive and anti-scale effect - moderate hardness up to 35 ° f - instantaneous temperatures up to 80 ° C and storage temperatures up to 60 ° C.

Code	Description	Kg. per package	Pieces per package	€
PC002	Kg. 1 bottle	1	8	15,60
PC003	Kg. 5 tank	10	2	70,00

ACQUASIL® 20/40 L

For all BravaDOS models



- ✓ hinders the formation of limestone deposits
- ✓ prevents corrosive phenomena of metal components
- ✓ effective with water with hardness between 5 °f and 35 °f
- ✓ it also gradually heals already encrusted circuits

CHARACTERISTICS

Aqueous solution of specific polyphosphates for drinking water with double protective anticorrosive and antiscalant effect - low hardnesses up to 10 ° f - instant temperatures up to 80 ° C and storage temperatures up to 60 ° C.

Code	Description	Kg. per package	Pieces per package	€
PC013	Kg. 1 tank	1	8	16,00
PC075	Kg. 5 tank	10	2	74,00

ACQUASIL® 5/10

For dosing systems



- ✓ hinders the formation of limestone deposits
- ✓ prevents corrosive phenomena of metal components
- ✓ effective with water with moderate hardness up to 35 °f
- ✓ instant temperatures up to 80 °C
- ✓ storage temperatures up to 60 °C

CHARACTERISTICS

Aqueous solution of specific polyphosphates for drinking water with double protective anticorrosive and antiscalant effect - moderate hardness up to 35 ° f - instantaneous temperatures up to 80 ° C and storage temperatures up to 60 ° C.

Code	Description	Kg. per package	Pieces per package	€
PC014	Kg. 20 tank	20	1	74,00

ACQUASIL® 5/10 L

For dosing systems



- ✓ hinders the formation of limestone deposits
- ✓ prevents corrosive phenomena of metal components
- ✓ low hardnesses up to 10 °f
- ✓ instant temperatures up to 80 °C
- ✓ storage temperatures up to 60 °C

CHARACTERISTICS

Aqueous solution of specific polyphosphates for drinking water with double protective anticorrosive and antiscalant effect - low hardnesses up to 10 ° f - instant temperatures up to 80 ° C and storage temperatures up to 60 ° C.

Code	Description	Kg. per package	Pieces per package	€
PC015	Kg. 20 tank	20	1	75,50

DIRT SEPARATORS AND LOADING PUMPS - SYSTEM WASHING

The presence of dissolved salts and suspended impurities (such as sand, mud, ferrous substances) in the water can cause serious problems for summer and winter air conditioning systems. Poor quality water circulating continuously within a closed hydraulic circuit will lead to a progressive build up of deposits in the pipes, in the radiators and inside the boiler (in particular in the heat exchanger). This will consequently compromise system performance and efficiency, will cause a dramatic increase in consumptions, as well as operating and maintenance costs.

In order to eliminate the impurities that may form inside the system, Acqua Brevetti provides a range of dirt separators for individual home and professional applications (medium and large size systems).

Water dirt separation and filtration in closed circuits for summer and winter air conditioning systems is a mandatory treatment according to UNI 8065:2019 technical standard.

Condensate produced by the latest generation of boilers has an acidic pH value (3.5 - 4.5).

Today, environmental regulations in many countries require that effluents discharged into sewer systems or waterways have pH values between 6.5 and 8.5.

Neutrocal installed in the condensate outlet pipe of the boiler neutralizes the effluent so that it is suitable for discharge.





- **DIRT SEPARATION FILTERS AND CHEMICAL CONDITIONER FILLING SYSTEMS OR REFILLING OF CHEMICAL CONDITIONERS**

REMOVAL OF SLUDGE AND FOREIGN BODIES FROM WATER IN HEATING SYSTEMS

BRAVOTHERM 100

Magnetic dirt separator filter

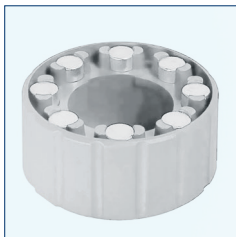


CHARACTERISTICS

BravoTHERM 100 is a magnetic dirt separation filter with cyclonic separation system that operates with the aid of powerful magnets incorporated in the equipment, retaining sludge, impurities and metal oxides. Thanks to its operating principle, i.e. decanting, BravoTHERM 100 is not affected by clogging and does not require frequent maintenance. The great ease of use of this innovative dirt separator allows you to perform cleaning operations without removing the component from the system.

BravoTHERM 100 is entirely made of technopolymer, specifically designed for high temperature hydraulic applications. A 500 µm stainless steel filter cartridge is fitted inside the dirt separator. BravoTHERM 100 is equipped with 8 powerful cylindrical neodymium magnets housed in the seats of the lower removable knob.

Max water temperature 90 °C - max pressure 3 Bar



Ring with magnets

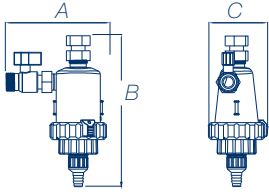
WHAT WE SUPPLY

BravoTHERM 100 is housed inside a smooth cardboard box.

Standard equipment includes: BravoTHERM 100 dirt separator, connection kit with swivel fitting and inlet shut-off valve, instruction manual.

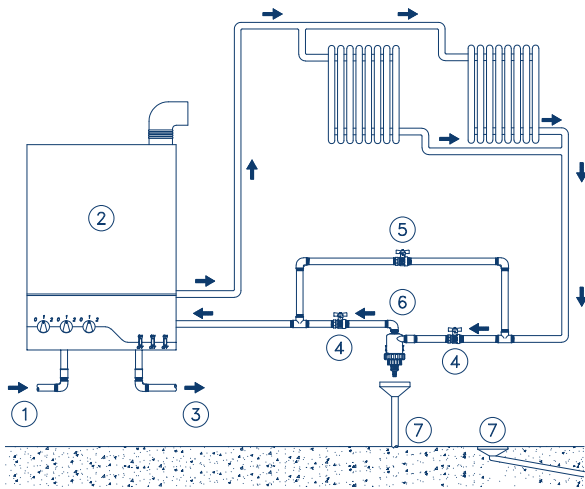
Code	Model	Flow rate lt/h	Users No. apartments	Connections	Magnetic induction	Pieces per package	€
TT006	BravoTherm 100	1000	1	¾" M	13.000 G	10	67,00

OVERALL DIMENSIONS EXPRESSED IN MM



Code	Width - A	Height - B	Depth - C
TT006	143	214	85

EXAMPLE OF INSTALLATION SCHEME



Legend

1. Cold water inlet;
2. Boiler;
3. Domestic hot water;
4. Shut-off valve;
5. By-pass valve (optional);
6. BravoTherm 100 dirt separator;
7. Discharge

GUIDELINES FOR CORRECT MAINTENANCE



The correct operation and duration of the equipment over time depend on correct installation, proper use and methodical application of the maintenance instructions supplied.

First year	Second year	Third year	Fourth year	Fifth year
BODY - RING NUT WITH CALAMITES	BODY - RING NUT WITH CALAMITES	CORPO - GHIERA CON CALAMITE	CORPO - GHIERA CON CALAMITE	CORPO - GHIERA CON CALAMITE
Clean (End of season)	Clean (End of season)	Effettuare la pulizia (Fine stagione)	Effettuare la pulizia (Fine stagione)	Effettuare la pulizia (Fine stagione)
If SYSTEM CLEANING has been performed clean the equipment	If SYSTEM CLEANING has been performed clean the equipment	If SYSTEM CLEANING has been performed clean the equipment	If SYSTEM CLEANING has been performed clean the equipment	If SYSTEM CLEANING has been performed clean the equipment

Dispose of any liquid effluent resulting from cleaning operations in accordance with applicable local regulations (Leg. Decree 152/2006). Do not dispose of washing liquids or cleaning agent residues down the drains. Refer to the relevant safety data sheet for details on disposal procedures for cleaning products.

RECOMMENDED SPARE PARTS

Pos.	Code	Description	Q.ty	€
1	11026001	Stainless steel cartridge 304 - 500µm	1	8,50
2	99026005	Complete ring with magnets	1	20,00



BRAVOTHERM 550 - 600 - 650

Mass dirt separator filter



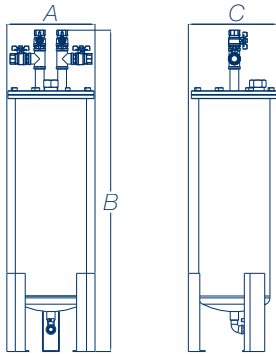
CHARACTERISTICS

BravoTHERM 550, 600 and 650 are mass-filtered dirt separators designed for medium and large sized systems (systems serving up to 50 residential units) that perform an efficient filtration process by retaining coarse impurities and eliminating them from the closed circuit water. BravoTHERM mass-based dirt separators are easy to install and their maintenance operations are quick to perform.

Manual backwash - top cap for product refilling - max water temperature 80 °C - max pressure 5 Bar - min backwash pressure 2 Bar.

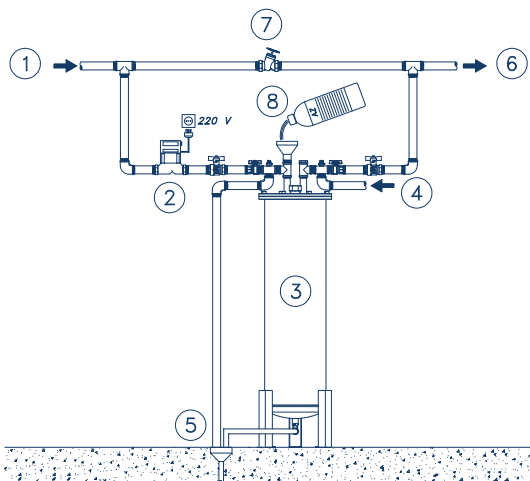
Code	Model	Flow rate lt/h	Users No. apartments	Connections	€
TT011	BravoTherm 550	220	1 - 12	1/2" F	900,00
TT014	BravoTherm 600	400	13 - 20	1" F	1100,00
TT016	BravoTherm 650	600	21 - 50	1" F	1300,00

OVERALL DIMENSIONS EXPRESSED IN MM



Code	Width - A	Height - B	Depth - C
TT011	290	800	290
TT014	340	1235	345
TT016	385	1580	400

EXAMPLE OF INSTALLATION SCHEME



Legend

1. Cold water inlet;
2. Recirculation pump;
3. BravoTherm 550-600-650;
4. Backwash water;
5. Discharge;
6. Treated water outlet;
7. By-pass valve;
8. Product loading AZ® Line.

GUIDELINES FOR CORRECT MAINTENANCE



The correct operation and duration of the equipment over time depend on correct installation, proper use and methodical application of the maintenance instructions supplied.

Primo anno	Secondo anno	Terzo anno	Quarto anno	Quinto anno
Clean with manual backwash (End of the season)	Clean with manual backwash (End of the season)	Clean with manual backwash (End of the season)	Clean with manual backwash (End of the season)	Clean with manual backwash (End of the season)
If SYSTEM CLEANING has been performed clean the equipment	If SYSTEM CLEANING has been performed clean the equipment	If SYSTEM CLEANING has been performed clean the equipment	If SYSTEM CLEANING has been performed clean the equipment	If SYSTEM CLEANING has been performed clean the equipment

Dispose of any liquid effluent resulting from cleaning operations in accordance with applicable local regulations (Leg. Decree 152/2006). Do not dispose of washing liquids or cleaning agent residues down the drains. Refer to the relevant safety data sheet for details on disposal procedures for cleaning products.

NEUTROCAL

Condensate neutralizer



CHARACTERISTICS

Neutrocal is an acid condensate neutralizer that derives from the condensation process of water vapor on the smoke evacuation system of heat generators.

Neutrocal is equipped with a cartridge to contain the neutralizing material; to replace it, simply extract the cartridge, remove the used material and reload with the new one.

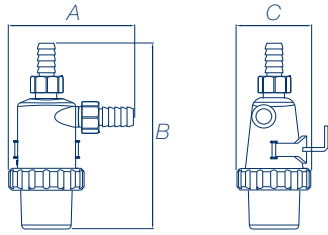
Neutrocal is also equipped with a by-pass, consisting of a series of holes in the upper part of the cartridge, which prevents the condensate from returning to the boiler, in the unlikely event that the granulate prevents regular flow.

Included in the supply n. 2 hose connectors 3/4" \varnothing 16 - 20, 1 bracket with screws and 1 PC010 material Calcined Dolomite gr. 200.



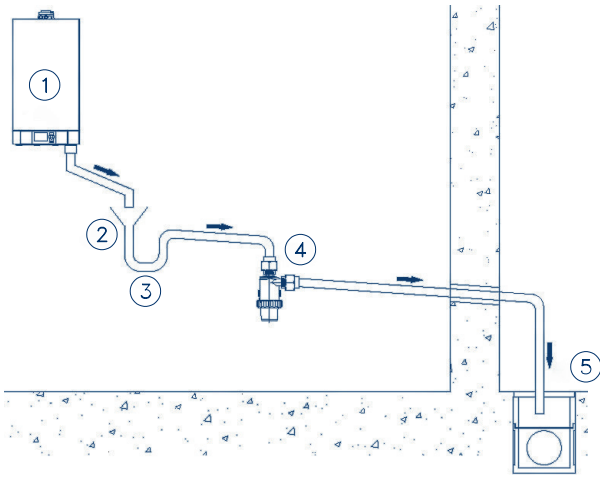
Cartridge with bottom cap
for containing calcined dolomite

OVERALL DIMENSIONS EXPRESSED IN MM



Code	Width - A	Height - B	Depth - C
NT010	96	125	80

EXAMPLE OF INSTALLATION SCHEME



Legend

1. Water heater;
2. Ventilation point (if not included in the boiler equipment);
3. Siphon (if not included in the boiler equipment);
4. Neutrocal condensate neutralizer;
5. Delivery address.

AZ[®] BASE

Loading pump

Use of a universal protective product AZ[®] 100



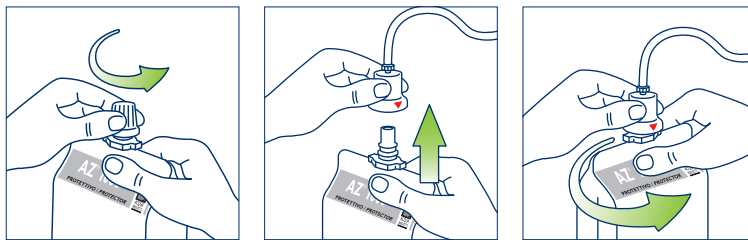
✓ filling of 1 Kg. of product in 15 minutes



CHARACTERISTICS

AZ[®] Base is a constant metering diaphragm pump with knob-controlled flow rate adjustment; equipped with accessories for filling protective products into the system from a bag or tank.

Capacity: 5 l/h - Power supply: 230 - 50 V-Hz - Power consumption: 12 W - Max. number of strokes per minute: 160



Versatility of use

Code	Description	Dimensions H x L x P cm	€
PM300	PUMP AZ [®] BASE with bracket complete with installation kit for filling AZ [®] 100 into the system Adapter kit for AZ [®] product system Bag adapter kit Kg. 1 AZ [®] products Bottom filter for filling AZ [®] products in 20 kg cod. AV034 cod. AV028 cod. AV032	22,3 x 10 x 12	220,00

RECOMMENDED SPARE PARTS

Code	Description	€
AV034	System adapter kit for AZ [®] pump	42,00
AV028	Bag adapter kit Kg. 1 per AZ [®] pump	50,00
AV032	Bottom filter for filling AZ [®] products in 20 kg tank.	28,00
EM99106307	Installation kit equipped with injection valve, foot filter, 2 m PE pipe, 4 m PVC pipe (EPDM seals)	42,00

BRAVOEVOLUTION

Pump for heating system flushing

Use of AZ® 200 universal cleaner products
and AZ® 500 antifreeze products



CHARACTERISTICS

BravoEvolution has been designed for easy cleaning of exchangers or individual radiators.

Eliminates water circulation problems due to sludge build-up, corrosion deposits and scale. Power consumption: 0.18 HP (PD10002) - 0.75 HP - Protection degree: IP54

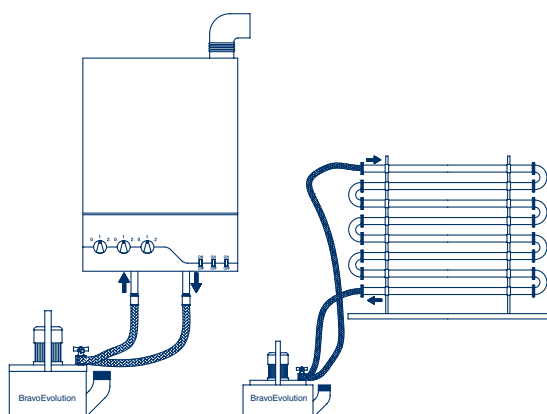


Accessory included in BravoEvolution pumps
Connecting tubes and filling funnel

Code	Description	Flow rate lt/h	Max pressure Bar	Tank volume lt	Dimensions H x L x P cm	€
PD10002	BravoEvolution	2600	1,0	40	43 x 45 x 30	580,00
PD10005	BravoEvolution Plus	5400	1,5	27	58 x 45 x 30	980,00
PD10006	BravoEvolution Plus C	5400	1,5	27	90 x 45 x 30	1140,00

Dispose of any liquid effluent resulting from cleaning operations in accordance with applicable local regulations (Leg. Decree 152/2006). Do not dispose of washing liquids or cleaning agent residues down the drains. Refer to the relevant safety data sheet for details on disposal procedures for cleaning products.

EXAMPLE OF INSTALLATION SCHEME



Legend

BravoEvolution: descaling of small and medium sized boilers and exchangers.

BRAVOSOLAR PUMP

Loading pump

Product use: AZ[®] 800 cleaner - AZ[®] 600 antifreeze protection



Image for illustrative purposes.
Request information by product and quotation.

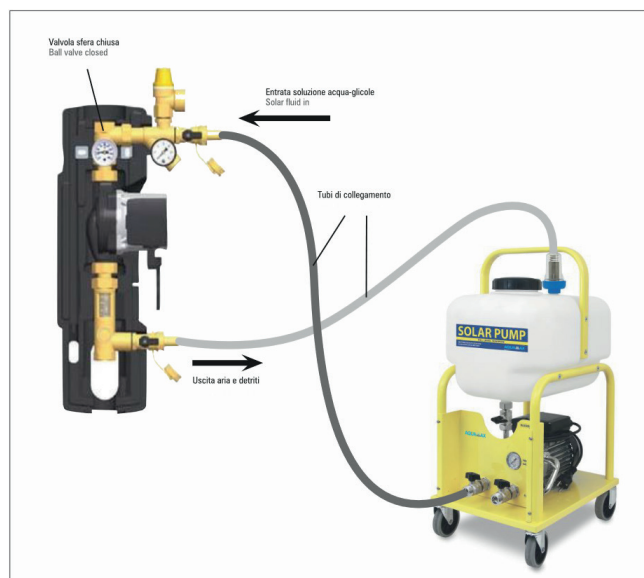
CHARACTERISTICS

Bravo SOLAR PUMP is the filling and cleaning unit for solar thermal systems, that has been specifically developed to allow easy filling and washing of solar systems with cleaning and protective solutions (anti-freeze).

Power consumption: 0.5 KW - Protection degree: IP54

Code	Description	Flow rate lt/h	Max pressure Bar	Tank volume lt	Dimensions H x L x P cm
PD10009	BravoSolar Pump	1140	5	25	60 x 39 x 32

Dispose of any liquid effluent resulting from cleaning operations in accordance with applicable local regulations (Leg. Decree 152/2006). Do not dispose of washing liquids or cleaning agent residues down the drains. Refer to the relevant safety data sheet for details on disposal procedures for cleaning products.



CONDITIONERS





- **AZ® LINE AND ACCESSORIES**

PROTECTIVE, CLEANING AND ANTIFREEZE PRODUCT
FOR ALL HEATING SYSTEMS
TRADITIONAL AND LOW TEMPERATURE TYPE

GUIDELINES FOR THE CORRECT TREATMENT OF A THERMAL SYSTEM

(UNI 8065:2019)

NEW INSTALLATIONS

The idea that a new hydro-thermo-sanitary system is "clean" is wrong. Inside the systems there are oils, welding fluxes, shavings that can cause many problems during the life of the system. Oils and greases form insulating films that prevent the formation of protective oxides on metals and prevent corrosion inhibitors from performing their task. The shavings can not only block the control organs (valve openings) and the moving parts (circulator impellers) but can represent the cause of very serious localized corrosion. Welding fluxes, being rich in salts, represent widespread sources of corrosion.

For this reason, it is essential to always carry out a thorough washing on new systems. A good flush should always be done using external recirculation pumps. Boiler circulators do not have the hydraulic characteristics necessary to provide sufficient mechanical strength to perform a good washing. Moreover, it could suffer irreversible damage caused by shavings and foreign bodies circulating during washing operations.

The washing of new systems must be carried out with AZ[®] 200 universal cleaner.

After having circulated AZ[®] 200 for a sufficient time, drain the solution and rinse the system until all traces of dirt and detergent solution are completely removed.

After having thoroughly rinsed the system, it must be protected using AZ[®] 100 universal protective. Always monitor the level of protection of the AZ[®] 100 product throughout the year, using the specific analysis kit. If the protection level is insufficient, it will be necessary to add product into the system.

OLD (EXISTING) INSTALLATIONS

When a heating system has been in service for a long time, various substances can form inside it, that can alter or even completely compromise its operation.

Depending on the type of heating system, the time and the operating conditions, several different foreign materials can form.

In thermal radiator systems, the formation of sludge and iron oxides can lead to total or partial obstruction of the radiators, causing them to be choked. In the case of low-temperature systems, on the other hand, the microorganisms lead to the formation of mucilage that obstruct pipes openings.

In all these cases it is necessary to use specific cleaning products. The chemical action of the detergent is generally insufficient to ensure adequate cleaning unless accompanied by an intense mechanical action offered by the BravoEVOLUTION PLUS external recirculation pump. It is also often necessary to concentrate the entire treatment flow on a single circulation ring of the system.

Washing of old systems, radiator systems and low temperature systems, must be performed with AZ[®] 200. The product must be kept in circulation for a sufficient time to guarantee the desired result.

After completing the cleaning, it is necessary to carry out a thorough rinsing until you obtain clean water free of foreign bodies and free of detergent solution.

It is very important not to clean old systems with the boiler circulator; during the washing operations it would be advisable to completely exclude the circulator (by-passing it or temporarily removing it).

After having thoroughly rinsed the system, it must be protected using AZ[®] 100 universal protective. Always monitor the level of protection of the AZ[®] 100 product throughout the year, using the specific analysis kit. If the protection level is insufficient, it will be necessary to add product into the system.

AZ[®] WATER TESTS

As required by the UNI 8065:2019 standard, it is mandatory to carry out annual checks on the chemical characteristics of heating circuit water.

Acqua Brevetti offers its customers the AZ[®] WATER ANALYSIS service. The form can be downloaded from our website in the *Products area – conditioning products for heating systems*.

PHASE 1

TO CLEAN THE HEATING SYSTEM

New and old systems
high and low temperature

AZ[®] 200 universal cleaner



PHASE 2

HEATING SYSTEM PROTECTION

New and old systems
high and low temperature

AZ[®] 100 universal protection



FREQUENT ISSUES IN HEATING SYSTEMS: SOLUTIONS

ISSUE	CAUSE	SOLUTION
Noisy boiler	Presence of limescale and/or air in the system	AZ [®] 200
Decreasing performances	Deposits of limestone and sludge in the system, corrosion in progress and rust deposits are building up	AZ [®] 200
Corrosion of radiators and heat exchangers	Missing anti-corrosive products, incorrect galvanic couplings	AZ [®] 100 or AZ [®] 500
The upper part of the radiators does not get hot	Presence of air or hydrogen in the system	Vent and clean the system with AZ [®] 200 then add AZ [®] 100
Lower area of the radiators is cold	Presence of sludges, bad circulation in the system	Vent and clean the system with AZ [®] 200 then add AZ [®] 100
The circulator is blocked	Sludges and dangerous bodies in the water	Vent and clean the system with AZ [®] 200 then add AZ [®] 100
Smelly water, rotten, with foreign material	Presence of bacteria and micro-organisms	Clean with AZ [®] 200 then add AZ [®] 100 to the system water

AZ[®] 200

Universal cleaner



- **HEATING SYSTEMS**
RESANANT DESCALER
OLD AND NEW PLANTS
HIGH AND LOW TEMPERATURE
- **SANITARY WATER SYSTEMS**
RESANANT, DESCALER AND
DETERGENT
OLD AND NEW PLANTS
SANITARY WATER DISTRIBUTION

CHARACTERISTICS

Specific for old and new, high and low temperature heating systems.

Applications: cleaning of radiator and radiant panel heating systems.

Dosage: 1 kg per 100 litres of system water.



AZ[®] Line products are neither acidic nor caustic, they are biodegradable, they are not toxic, and they are not harmful to people or to the environment. They do not contain heavy metals.



AZ[®] 200 cleans the system and the boiler ensuring maximum heat exchange efficiency and lower fuel consumption.

Code	Description	Kg. per package	Pieces per package	€
PC0200	Kg. 1 bag	1	8	30,00
PC0220	Kg. 20 tank	20	1	225,00

GUIDELINES FOR CORRECT MAINTENANCE

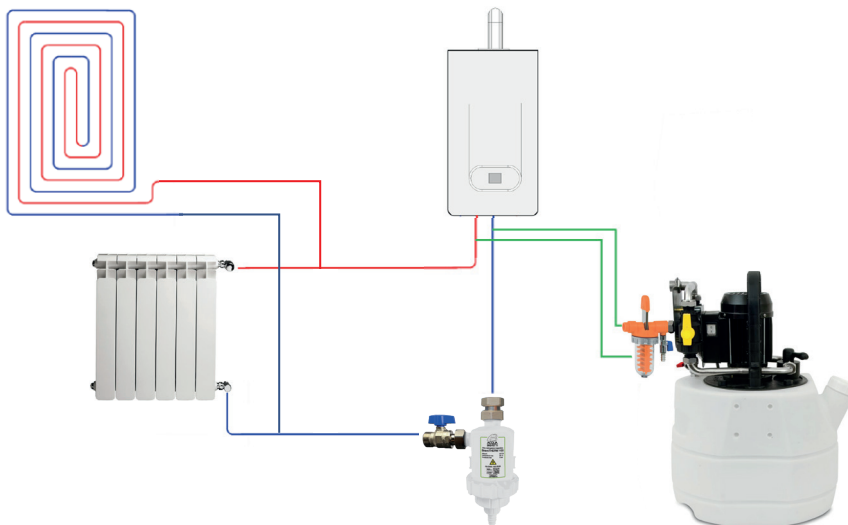


The UNI 8065: 2019 standard provides, for the correct functioning of the system and of the boiler, a series of checks on the characteristics of the circuit water in order to maintain the efficiency and ensure low consumption of the system.

First year	Second year	Third year	Fourth year	Fifth year
If necessary	If necessary	If necessary	If necessary	If necessary
Wash with AZ® 200 universal cleaner	Wash with AZ® 200 universal cleaner	Wash with AZ® 200 universal cleaner	Wash with AZ® 200 universal cleaner	Wash with AZ® 200 universal cleaner

ACCESSORIES

Code	Description	€
PD10005	BravoEVOLUTION PLUS pump for washing systems with AZ® 200 flow reverser - 27 lt. storage tank - 3-way valve and magnetic dirt separator filter	980,00



AZ[®] 100

Universal protection



• **HEATING SYSTEMS**

ANTICORROSIVE ANTI-CRUSTANT
 OLD AND NEW PLANTS
 HIGH AND LOW TEMPERATURE

CHARACTERISTICS

Specific for old and new, high and low temperature heating systems.

Applications: protection of radiator and radiant panel heating systems.

Dosage: 1 kg per 100 litres of system water. The product can be detected with dedicated analysis kit.



AZ[®] 100 does not favour the formation of microorganisms.



AZ[®] Line products are neither acidic nor caustic, they are biodegradable, they are not toxic, and they are not harmful to people or to the environment. They do not contain heavy metals.



AZ[®] 100, if overdosed or underdosed, does not create any problems for the system, it does not generate the threshold effect.



The formation of the AZ[®] 100 protective film on metal surfaces, in addition to protecting them, creates a water-based sliding effect that improves energy performance



AZ[®] 100 protects the system and the boiler ensuring maximum heat exchange efficiency and lower fuel consumption.

Code	Description	Kg. per package	Pieces per package	€
PC0100	Kg. 1 bag	1	8	31,00
PC0120	Kg. 20 tank	20	1	265,00

GUIDELINES FOR CORRECT MAINTENANCE



The UNI 8065: 2019 standard provides, for the correct functioning of the system and of the boiler, a series of checks on the characteristics of the circuit water in order to maintain the efficiency and ensure low consumption of the system.

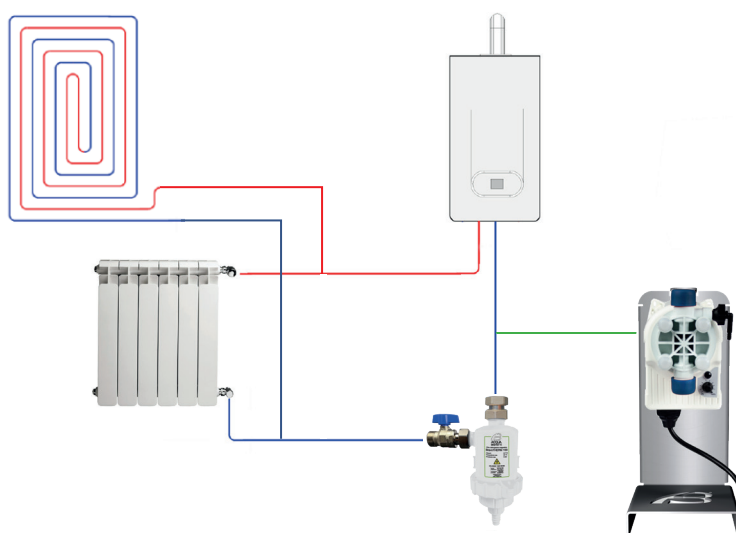
First year	Second year	Third year	Fourth year	Fifth year
Water analysis (point 8 UNI:8065 standard)	Water analysis (point 8 UNI:8065 standard)	Water analysis (point 8 UNI:8065 standard)	Water analysis (point 8 UNI:8065 standard)	Water analysis (point 8 UNI:8065 standard)
If necessary Treat with AZ [®] 100 universal protective product	If necessary Treat with AZ [®] 100 universal protective product	If necessary Treat with AZ [®] 100 universal protective product	If necessary Treat with AZ [®] 100 universal protective product	If necessary Treat with AZ [®] 100 universal protective product

TEST KIT

Code	Description	€
48105066	Test kit for AZ [®] 100	75,00

ACCESSORIES

Code	Description	€		
PM300	AZ [®] BASE PUMP with bracket complete with installation kit for loading AZ [®] 100 product into the system Adaptor system for AZ [®] products Adaptor AZ [®] in 1 Kg. bag Foot filter for product - AZ [®] in 20 Kg. tank	220,00 cod. AV034 cod. AV028 cod. AV032		
AV034	Adaptor kit for AZ [®] pump	42,00		
AV028	Adaptor kit 1 Kg. bag to AZ [®] pump	50,00		
AV032	Foot filter for product loading - AZ [®] 20 Kg. tank	28,00		
EM99106307	Installation kit complete with injection valve, foot filter, 2m PE pipe, 4m PVC pipe (EPDM seals)	42,00		
48105080	TEST CASE FOR ANNUAL CHECKS The UNI 8065: 2019 standard provides for mandatory annual checks on summer and winter on air conditioning systems, domestic hot water production and solar thermal systems.	600,00		
	pH	Conductivity	Hardness	Chemical water treatment
Tester tool + pH, EC calibration kit	✓	✓		
Hardness test kit			✓	
Protective product test kit				✓
Phosphates test kit				✓



AZ[®] 500

Antifreeze



- **HEATING SYSTEMS**

ANTIFREEZE
OLD AND NEW PLANTS
HIGH AND LOW TEMPERATURE

CHARACTERISTICS

Specific for low and high temperature heating systems.

Applications: protection of heating systems operating at low and high temperatures, also if exposed to the risk of freezing.

Dosage: dilution depending on the degree of anti-freeze protection required

- 25 kg / 100 litres of water - 10 ° C
- 30 Kg / 100 litres of water - 12 ° C
- 35 kg / 100 litres of water - 15 ° C

Product compatible with AZ[®] 100 universal protective.



I prodotti della Linea AZ[®] non sono né acidi né caustici, sono biodegradabili, non sono tossici e non sono nocivi né per le persona, né per l'ambiente. In particolare non contengono metalli pesanti.



AZ[®] 500 protegge l'impianto e la caldaia garantendo una massima efficienza di scambio termico e minori consumi di combustibile.

Code	Description	Kg. per package	Pieces per package	€
PC0520	Kg. 20 tank	20	1	298,00

GUIDELINES FOR CORRECT MAINTENANCE



The UNI 8065: 2019 standard provides, for the correct functioning of the system and of the boiler, a series of checks on the characteristics of the circuit water in order to maintain the efficiency and ensure low consumption of the system.

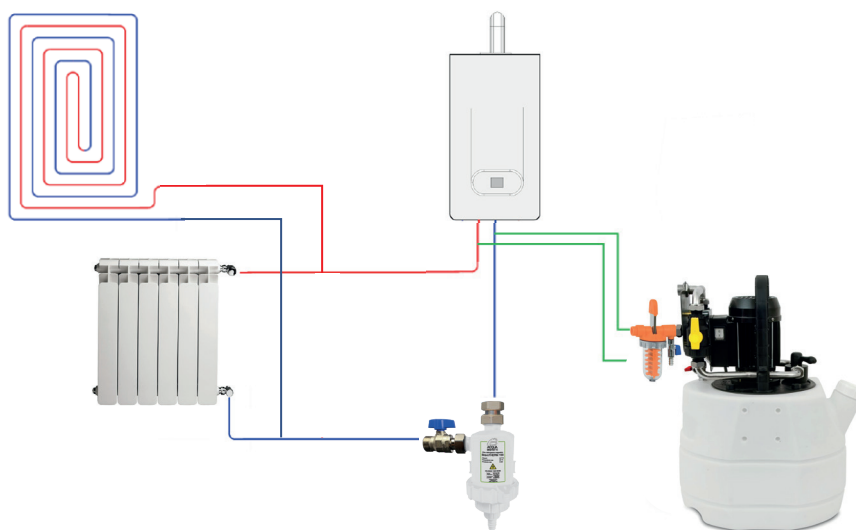
First year	Second year	Third year	Fourth year	Fifth year
Water analysis (point 8 UNI:8065 standard)	Water analysis (point 8 UNI:8065 standard)	Water analysis (point 8 UNI:8065 standard)	Water analysis (point 8 UNI:8065 standard)	Water analysis (point 8 UNI:8065 standard)
If necessary Introduce AZ® 500 antifreeze protective in the system	If necessary Introduce AZ® 500 antifreeze protective in the system	If necessary Introduce AZ® 500 antifreeze protective in the system	If necessary Introduce AZ® 500 antifreeze protective in the system	If necessary Introduce AZ® 500 antifreeze protective in the system

TEST KIT

Code	Description	€
48105029	Measuring refractometer for AZ® 500	218,00

ACCESSORI

Code	Description	€
PD10005	BravoEVOLUTION PLUS pump for washing systems with AZ® 200 flow reverser - storage tank of lt. 27 - 3-way valve and magnetic dirt separator filter	980,00



AZ[®] 800

Solar system cleaner



- **SOLAR SYSTEMS**

ANTI-NOISE DESCALER

SOLAR THERMAL SYSTEMS

CHARACTERISTICS

Specific product for the removal of degradation residues of thermal carrier fluids from solar systems.

Applications: specific cleaner for removing degraded solar antifreeze residues operating in stagnant conditions.

Dosage: dilute in a ratio of 1: 5 with water.



AZ[®] line products are neither acidic nor caustic, they are biodegradable, they are not toxic, and they are not harmful to people or to the environment. They do not contain heavy metals.



AZ[®] 800 cleans solar panel systems with high thermal load ensuring maximum heat exchange efficiency and lower fuel consumption.

Code	Description	Kg. per package	Pieces per package	€
PC0820	Kg. 20 tank	20	1	568,00

GUIDELINES FOR CORRECT MAINTENANCE

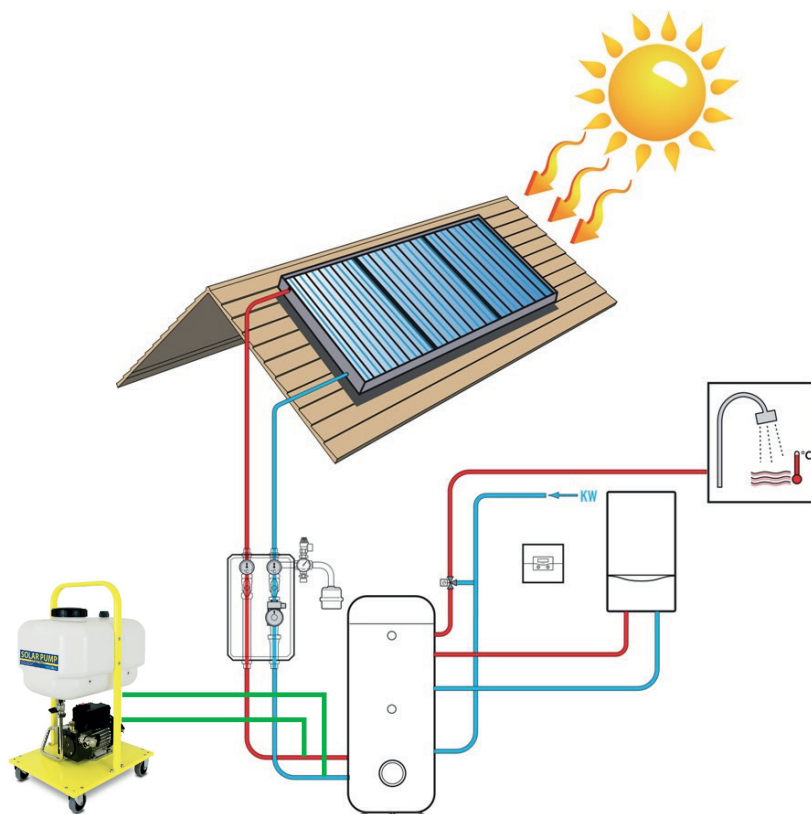


The UNI 8065: 2019 standard provides, for the correct functioning of the system and of the boiler, a series of checks on the characteristics of the circuit water in order to maintain the efficiency and ensure low consumption of the system.

First year	Second year	Third year	Fourth year	Fifth year
If necessary Clean the system with AZ® 800 cleaner	If necessary Clean the system with AZ® 800 cleaner	If necessary Clean the system with AZ® 800 cleaner	If necessary Clean the system with AZ® 800 cleaner	If necessary Clean the system with AZ® 800 cleaner

ACCESSORIES

Code	Description
PD10009	Bravo SOLAR PUMP for washing solar systems with AZ® 800 or filling AZ® 600 25 litre storage tank - maximum pressure 5 bars



AZ[®] 600

Protective & antifreeze for solar systems



- **SOLAR SYSTEMS**

ANTI-CRUST ANTICORROSIVE
ANTIFREEZE
SOLAR THERMAL SYSTEMS

CHARACTERISTICS

Specific for solar systems with anti-scaling, anti-corrosive effect.
Frost protection down to -15 ° C.

Applications: specific anti-freeze to withstand the thermal shocks typical of solar systems. Suitable for frost protection down to - 15 ° C.

Dosage: ready-to-use product for the complete filling of the closed solar circuit.



AZ[®] line products are neither acidic nor caustic, they are biodegradable, they are not toxic, and they are not harmful to people or to the environment. They do not contain heavy metals.



AZ[®] line products are neither acidic nor caustic, they are biodegradable, they are not toxic, and they are not harmful to people or to the environment. They do not contain heavy metals.

Code	Description	Kg. per package	Pieces per package	€
PC0620	Kg. 20 tank	20	1	182,00

GUIDELINES FOR CORRECT MAINTENANCE



The UNI 8065: 2019 standard provides, for the correct functioning of the system and of the boiler, a series of checks on the characteristics of the circuit water in order to maintain the efficiency and ensure low consumption of the system.

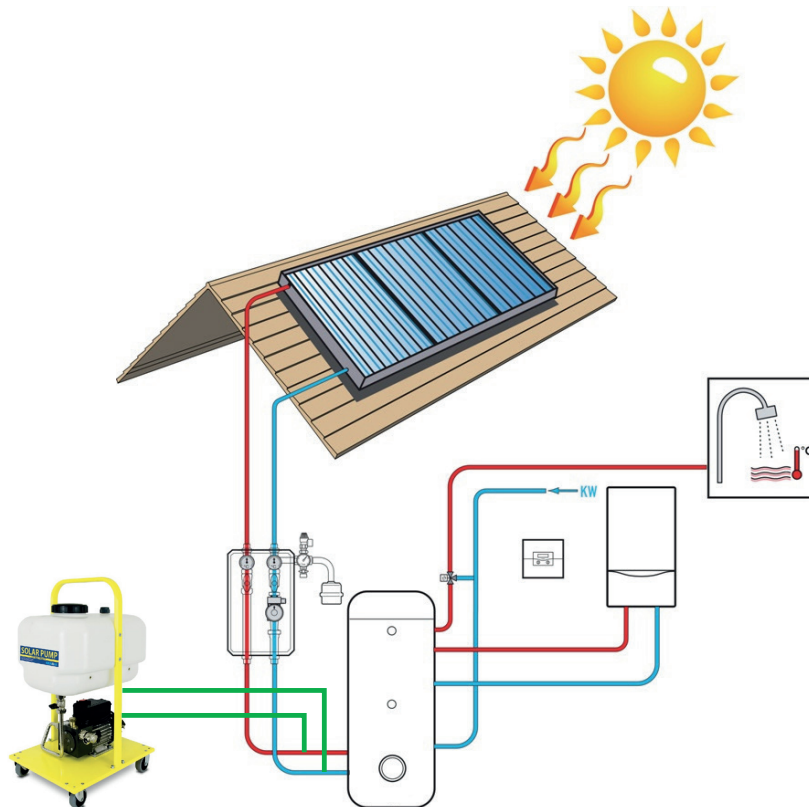
First year	Second year	Third year	Fourth year	Fifth year
Water analysis (point 8 UNI:8065 standard)	Water analysis (point 8 UNI:8065 standard)	Water analysis (point 8 UNI:8065 standard)	Water analysis (point 8 UNI:8065 standard)	Water analysis (point 8 UNI:8065 standard)
If necessary Load AZ® 600 antifreeze protective into the system	If necessary Load AZ® 600 antifreeze protective into the system	If necessary Load AZ® 600 antifreeze protective into the system	If necessary Load AZ® 600 antifreeze protective into the system	If necessary Load AZ® 600 antifreeze protective into the system

TEST KIT

Code	Description	€
48105007	Test kit for AZ® 600	35,00

ACCESSORIES

Code	Description
PD10009	Bravo SOLAR PUMP for washing solar systems with AZ® 800 or filling AZ® 600 25 litre storage tank - maximum pressure 5 bars



OUR PACK PROPOSAL

For your saving

SALVACALDAIA AZ® PACK

Code	Pack including	N.	Pieces for pack	€
56022080	TT006 BravoTHERM 100 Magnetic dirt separator filter	1	4	120,00
	PC0100 AZ® 100 Universal protective Kg. 1 pack	1		
	PC0200 AZ® 200 Universal cleaner Kg. 1 pack	1		
	AV034 System adapter kit for for AZ® pump	1		



CASA AZ® PACK

Code	Pack including	N.	Pieces for pack	€
56022082	PC0100 AZ® 100 Universal protective Kg. 1 pack	4	1	210,00
	PC0200 AZ® 200 Universal cleaner Kg. 1 pack	4		



PRACTICAL

How to calculate the suitable implant



	Descaler	Noise-reduction	Cleaner for sludges and oil	New installations	Old installations high temperature	Impianti vecchi bassa temperatura	Old installations low temperature	Anti-corrosive	Anti-scaling	Anti-mud	Anti-freeze
AZ® 200	●	●	●	●	●	●					
AZ® 100				●	●	●		●	●	●	
AZ® 500				●	●	●					●
AZ® 800	●	●	●				●				
AZ® 600							●	●	●		●

INDUSTRIAL FILTRATION

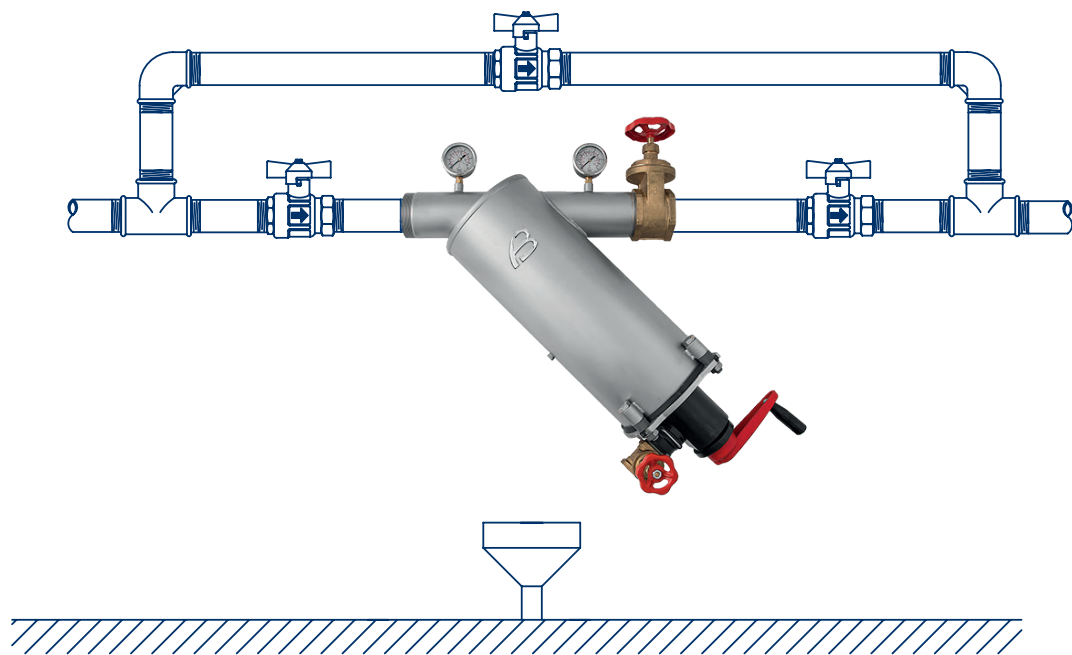
Impurities are often present in natural waters such as: sands, oxide flakes, suspended material.

These substances, if not properly removed, can create serious problems for industrial and technological equipment and systems.

Installing a filter, upstream of the equipment to be protected, represents the simplest and most effective solution to avoid serious consequences.

The professional range filters have been specially designed to suit the most varied needs. They can be effectively used to protect irrigation systems in agriculture and floriculture, evaporation towers, industrial processes and manufacturing processes.





- **MANUAL, AUTOMATIC FILTERS AND OTHER FILTRATION SYSTEMS**
THREE-PIECE FILTERS WITH STAINLESS STEEL
RANGE CARTRIDGE
COLUMN FILTERS
INDUSTRIAL APPLICATIONS

SIMPLEX Y

Manual cleaning filter

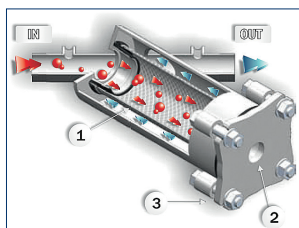


CHARACTERISTICS

There are several technological sectors where filtration of large quantities of water is required in order to remove suspended solids, coarse bodies and sand that could cause problems to hydraulic systems (valves, pumps, equipment). This need becomes particularly pressing when the sources of water supply are: rivers, lakes, canals, wells. In all these cases, using SIMPLEX Y range filters is the ideal solution. These are filters with no moving parts where the filtering element consists of a polyester mesh supported by a steel structure. Cleaning the SIMPLEX Y filter is extremely easy. By opening the foot valve, dirt accumulated in the filter body can be removed. To clean the filter cartridge, you must remove the filter body. The main fields of application for SIMPLEX Y series filters are: agriculture and irrigation, supply of evaporative towers, supply of power plants for the production of hot water and steam, industrial applications in general. In the event of high quantities of sand in water, SIMPLEX Y filters can be used downstream of VORTEX centrifugal separators for protection purposes. Min/max operating pressure: 0.5 / 10 Bar - min/max water temperature: 5 / 80 °C - 120 µm filtration degree - AISI 316 stainless steel mesh support and polyester (PES) bag filter.

Availability: Cartridge with AISI 316 stainless steel mesh and polyester bag filter: 25 - 53 - 80 - 120 - 200 - 400 - 580 - 810 µm;

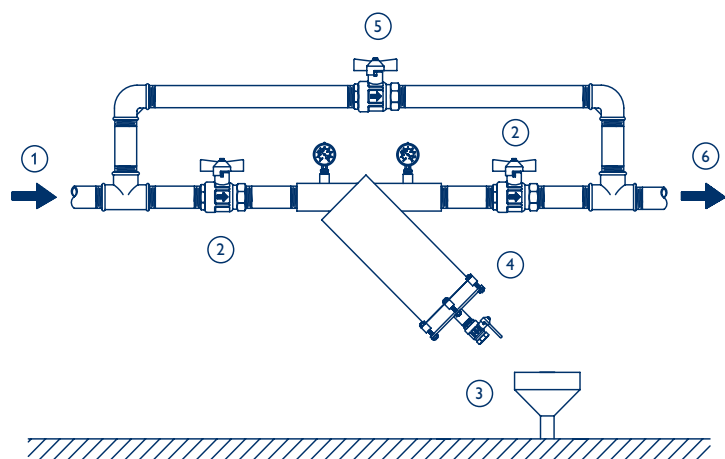
Cartridge with AISI 316 stainless steel mesh: 110 - 200 - 400 - 800 µm.



OPERATION: The water to be treated feeds the filter through the inlet connection (IN), passes through the filter element (1) from the inside to the outside and flows filtered out to the outlet (OUT). The suspended solids remain retained in the internal part of the filter element. The filter has a connection (2) for a purge valve, which is normally closed during filtration.

Code	Model	Connections	Unladen deliver m ³ /h	€
SMPLX0010	Y/5	1"	10	1.046,00
SMPLX0020	Y/5	1" 1/2	15	1.046,00
SMPLX0030	Y/10A	2"	40	1.447,00
SMPLX0040	Y/10A	3"	60	1.580,00
SMPLX0050	Y/20	3"	80	1.980,00
SMPLX0060	Y/20	DN100	130	2.116,00
SMPLX0070	Y/35	DN100	140	2.650,00
SMPLX0080	Y/35	DN150	250	3.050,00
SMPLX0090	Y/40P	DN150	300	3.450,00

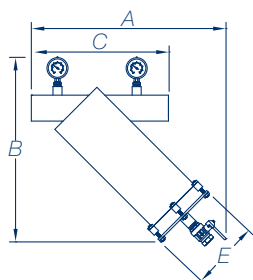
EXAMPLE OF INSTALLATION SCHEME



LEGEND

1. Raw water inlet;
2. Shut-off valve;
3. Discharge;
4. SIMPLEX Y filter;
5. By-pass valve;
6. Filtered water outlet.

OVERALL DIMENSIONS EXPRESSED IN MM



Code	Width A	Height B	Ingombro att. in/out C	Filter body width E
SMPLX0010	430	380	280	114
SMPLX0020	430	380	275	114
SMPLX0030	500	420	400	206
SMPLX0040	520	440	450	206
SMPLX0050	630	570	450	206
SMPLX0060	670	590	550	206
SMPLX0070	670	610	600	273
SMPLX0080	745	640	745	273
SMPLX0090	960	850	745	273

BRUSH Y

Manual cleaning filter



CHARACTERISTICS

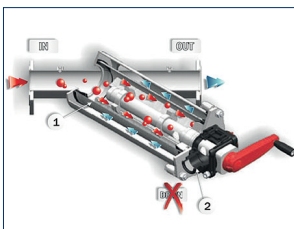
There are several technological sectors where filtration of large quantities of water is required in order to remove suspended solids, coarse bodies and sand that could cause problems to hydraulic systems (valves, pumps, equipment). This need becomes particularly pressing when the sources of water supply are: rivers, lakes, canals, wells. In all these cases, using BRUSH Y range filters is the ideal solution.

These are manual filters with internal brushes that allow cleaning of the filtering element. The main fields of application for BRUSH Y series filters are: agriculture and irrigation, supply of evaporative towers, supply of power plants for the production of hot water and steam, industrial applications in general.

In the event of high quantities of sand in water, BRUSH Y filters can be used downstream of VORTEX centrifugal separators for protection purposes.

Min/max operating pressure: 0.5 / 10 Bar - Min. operating pressure for cartridge cleaning: 1 Bar - min/max water temperature: 5 / 60 °C - 120 µ constant mechanical filtration - 316 stainless steel tubing and polyester (PES) bag filter

Availability: Cartridge with stainless steel mesh and polyester bag filter: 25 - 53 - 80 - 120 - 200 - 400 - 580 - 810 µ; Cartridge with stainless steel mesh: 110 - 200 - 400 - 800 µ.



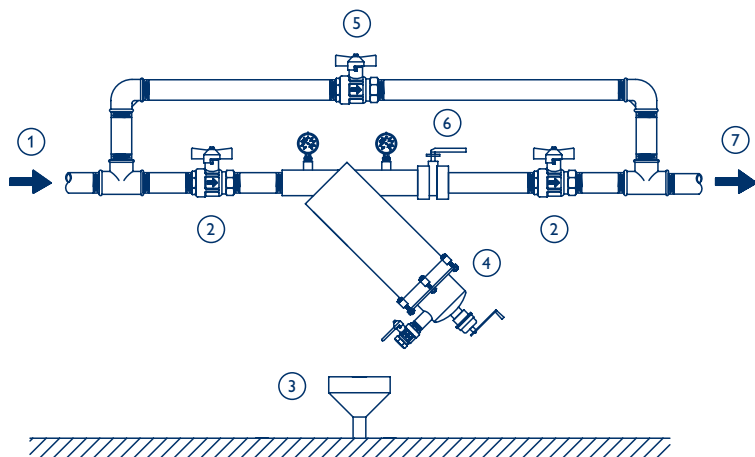
OPERATION: The water to be treated feeds the filter through the inlet connection (IN), passes through the filter element (1) from the inside to the outside and flows out to the outlet (OUT).

The suspended solids remain retained in the internal part of the filter element.

During the filtration phase the drain connection (2) remains closed.

Code	Model	Connections	Unladen deliver m ³ /h	€
BRSH0010	Y/10A	2"	40	2.650,00
BRSH0020	Y/10A	3"	60	2.785,00
BRSH0030	Y/20	DN100	130	3.185,00
BRSH0040	Y/35	DN100	140	4.657,00
BRSH0050	Y/35	DN150	250	5.460,00
BRSH0060	Y/40P	DN150	280	6.000,00

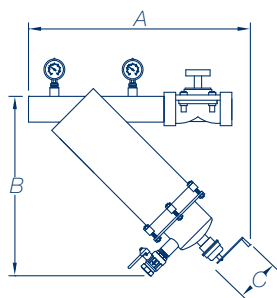
EXAMPLE OF INSTALLATION SCHEME



LEGEND

1. Raw water inlet;
2. Shut-off valve;
3. Discharge;
4. BRUSH Y filter;
5. By-pass valve;
6. Manual backwash valve;
7. Filtered water outlet.

OVERALL DIMENSIONS EXPRESSED IN MM



Code	Width A	Height B	Ingombro valvola C
BRSH0010	640	470	130
BRSH0020	670	485	130
BRSH0030	820	660	130
BRSH0040	820	660	130
BRSH0050	890	690	130
BRSH0060	1140	900	170

TURBONET Y

Automatic cleaning filter



CHARACTERISTICS

There are several technological sectors where filtration of large quantities of water is required in order to remove suspended solids, coarse bodies and sand that could cause problems to hydraulic systems (valves, pumps, equipment). This need becomes particularly pressing when the sources of water supply are: rivers, lakes, canals, wells.

In all these cases, using TURBONET range filters is the ideal solution.

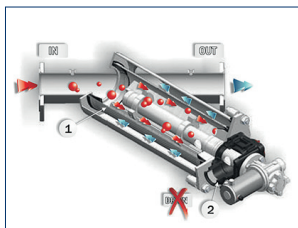
These are automatic filters equipped with inlet/outlet pressure differential control, equipped internal brushes that allow cleaning of the filtering element.

The main fields of application for TURBONET series filters are: agriculture and irrigation, supply of evaporative towers, supply of power plants for the production of hot water and steam, industrial applications in general.

In the event of high quantities of sand in the water, TURBONET filters can be used downstream of VORTEX centrifugal separators for protection purposes.

Min/max operating pressure: 0.5 / 10 Bar - Min. operating pressure for cartridge cleaning: 3 Bar - min/max water temperature: 5 / 60 °C - 120 µ constant mechanical filtration - 316 stainless steel tubing and polyester (PES) bag filter

Availability: Cartridge with stainless steel mesh and polyester bag filter: 25 - 53 - 80 - 120 - 200 - 400 - 580 - 810 µ; Cartridge with stainless steel mesh: 110 - 200 - 400 - 800 µ.



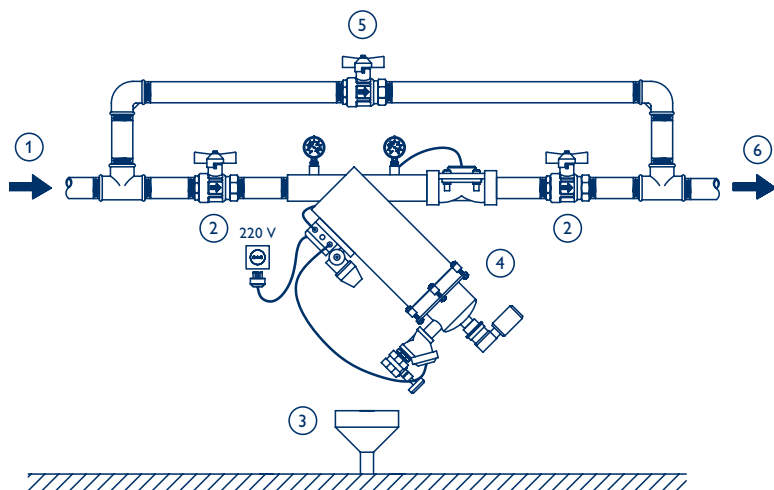
OPERATION: The water to be treated feeds the filter through the inlet connection (IN), passes through the filter element (1) from the inside to the outside and flows filtered out to the outlet (OUT).

The suspended solids remain retained in the internal part of the filter element.

During the filtration phase the drain connection (2) remains closed and the brushes (4) remain stationary.

Code	Model	Connections	Unladen deliver m ³ /h	€
TRBNTI0010	Y/10A	2"	40	6.930,00
TRBNTI0020	Y/10A	3"	60	7.450,00
TRBNTI0030	Y/20	DN100	130	9.340,00
TRBNTI0040	Y/35	DN100	140	11.350,00
TRBNTI0050	Y/35	DN150	250	12.300,00
TRBNTI0060	Y/40P	DN150	280	12.800,00

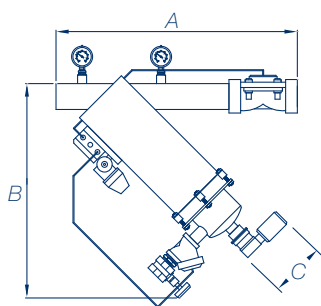
EXAMPLE OF INSTALLATION SCHEME



LEGEND

- 1. Raw water inlet;
- 2. Shut-off valve;
- 3. Drain,
- 4. TURBONET Y filter;
- 5. By-pass valve;
- 6. Filtered water outlet.

OVERALL DIMENSIONS EXPRESSED IN MM



Code	Width A	Height B	Ingombro valvola C
TRBNTI0010	550	700	165
TRBNTI0020	660	720	165
TRBNTI0030	850	840	165
TRBNTI0040	900	870	165
TRBNTI0050	1095	890	165
TRBNTI0060	1095	1100	190

BRAVOFLM

Automatic mixed bed filter



CHARACTERISTICS

Filtration is an essential treatment for properly protecting hydraulic systems, water distribution systems and technological processes.

If water contains only coarse matter (pebbles, rust flakes, small amounts of sand) you can use cleaning filters, self-cleaning filters and cartridge filters (mesh filters).

When there is a certain content of suspended and colloidal substances in water, such as silt, clay and algae, mechanical filtration (through mesh filters) is no longer effective and mixed bed filters must be used.

BravoFLM filters are mixed bed filters with automatic operation that provide the best results in applications such as filtration of well waters, surface waters and, in general, when large quantities of suspended material need to be handled.

BravoFLM consisting of: bottle in polypropylene reinforced with glass fibre, control valve, filtering material of different granulometry

Min/max operating pressure: 1.5 / 7 Bar - admissible pressure drop: 0.5 Bar

Suitable for drinking water filtration for civil use.

Code	Model	Work connections	Backwash couplings	Nominal flow m ³ /h	Flow rate m ³ /h	Backwash flow rate m ³ /h	€
FLM80	80	1" ¼	1" ¼	0,9	1,9	1,6	1.126,00
FLM100	100	1" ¼	1" ¼	1,9	3,8	3,2	1.360,00
FLM104	104	1" ½	1" ½	3,1	6,2	5,2	2.237,00
FLM106	106	1" ½	1" ½	4,3	8,6	7,2	2.233,00

Table showing the reduction in nominal operating flow rates as a function of water turbidity

Code	A Turbidity < 10 mg SiO ₂ /l (< 4 U.J.) (a)	B Turbidity 10 < 20 mg SiO ₂ /l (4 < 8 U.J.) (b)	C Turbidity > 20 mg SiO ₂ /l (> 8 U.J.) (c)
FLM80	0,90	0,68	0,45
FLM100	1,90	1,40	0,95
FLM104	3,10	2,30	1,55
FLM106	4,30	3,20	2,15

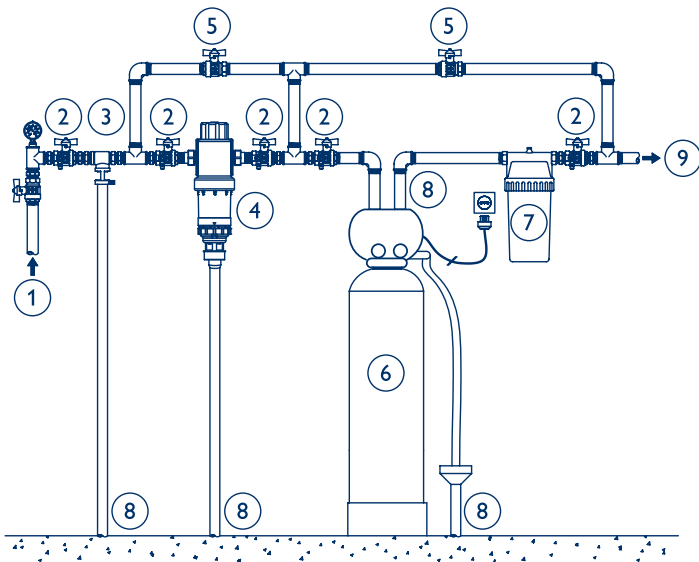
WARNING: Depending on the actual water conditions, the operating flow rates may be also dramatically reduced.

(A) Water with suspended coarse matter and low turbidity.

(B) Water with medium turbidity. Recommended dosage of a flocculant (aluminium sulphate, ferric trichloride).

(C) Water with high turbidity. Flocculant (aluminium sulphate, ferric trichloride) dosing is required.

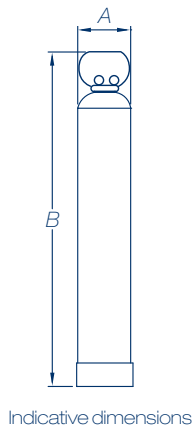
EXAMPLE OF INSTALLATION SCHEME



LEGEND

1. Raw water inlet;
2. Shut-off valve with sampling tap;
3. Disconnecter;
4. BravoFIL self-cleaning filter;
5. By-pass valve;
6. BravoFLM column filter;
7. Protection filter;
8. Discharge;
9. Treated water outlet.

OVERALL DIMENSIONS EXPRESSED IN MM



Code	Width - A	Height - B
FLM80	315	1597
FLM100	369	1906
FLM104	510	2047
FLM106	552	2020

BRAVOFCA

Automatic activated carbon filter



CHARACTERISTICS

Water that is drawn often can contain organic substances that lead to bad water smells and tastes. Some of these substances, such as herbicides, pesticides and chlorinated organic substances are also potentially dangerous to human health. In addition, massive doses of chlorine-based products are used in water purification processes. These products are capable of reacting with the organic substance naturally present in water (for example humic and fulvic acids) thus forming chlorinated organic substances, called DBP (disinfection by products), that are also potentially dangerous. In all these cases, it is possible to operate by installing active carbon filters in the range.

BravoFCA that are capable of both absorbing organic substances dissolved in water and destroy any chlorine present. The filtering mass (semi-permeable type) is subject to saturation and it is therefore necessary not only to envisage its periodical backwashing, but also its replacement at intervals that depend on the operating needs. As a general rule however, such intervals should never exceed 6-12 months. If the dechlorinating filters are installed for drinking water use, a certain degree of post-chlorination protection must be preserved downstream of the filter.

This can be achieved by installing a partial by-pass valve on the filter or by installing a proportional chlorine dosing station at the outlet of the dechlorinating filter.

BravoFCA consisting of: glass fibre reinforced polypropylene cylinder, control valve, charcoal
Min/Max operating pressure: 1,5 / 7 Bar - admissible pressure drop: 0.5 bar
Suitable for filtering drinking water for civil use.

Code	Model	Work connections	Backwash couplings	Nominal flow m ³ /h	Flow rate m ³ /h	Backwash flow rate m ³ /h	€
FCA80	80	1" ¼	1" ¼	1,0	1,3	1,0	1.260,00
FCA100	100	1" ¼	1" ¼	2,1	2,7	2,1	1.495,00
FCA104	104	1" ½	1" ½	3,5	4,3	3,5	3.470,00
FCA106	106	1" ½	1" ½	4,8	6,0	4,8	3.905,00

Table showing the reduction in nominal operating flow rates as a function of water turbidity

Code	A Dechlorination (m ³ /h) (a)	B Dechlorination and adsorption (m ³ /h) (b)	C Dechlorination and adsorption (m ³ /h) (c)
FCA80	1,00	0,50	0,25
FCA100	2,10	1,00	0,52
FCA104	3,50	1,70	0,87
FCA106	4,80	2,40	1,20

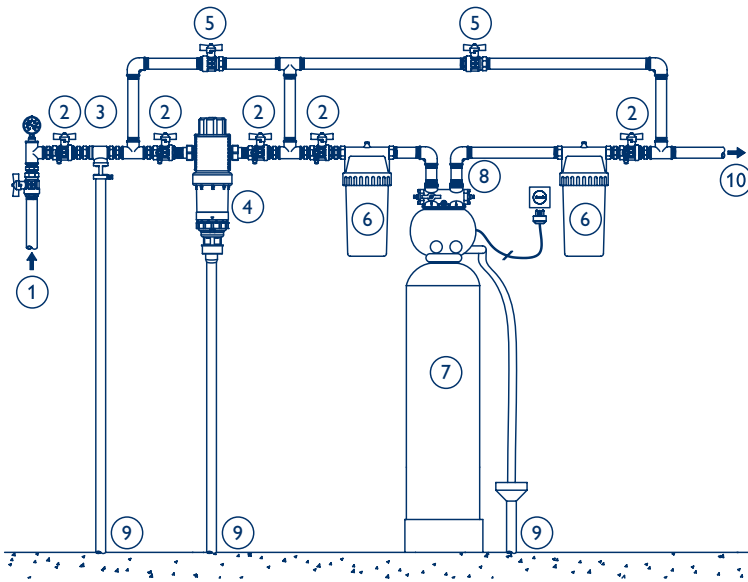
WARNINGS: Depending on the actual water conditions, the operating flow rates may be also dramatically reduced.

(A) Maximum concentration of active chlorine: 1 ppm

(B) Maximum concentration of active chlorine: 1 ppm - maximum concentration of organic matter: 1 ppm

(C) Maximum chlorine concentration: 3 ppm - maximum concentration of organic matter: 3 ppm.

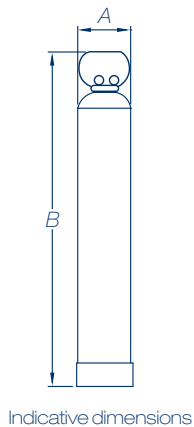
EXAMPLE OF INSTALLATION SCHEME



LEGEND

1. Raw water inlet,
2. Shut-off valve with sample tap,
3. Disconnect,
4. BravoFIL self-cleaning filter,
5. By-pass valve,
6. Filter with MB cartridge at least 50 µ,
7. BravoFCA column filter,
8. By-pass valve for post-coloring (optional),
9. Unloading,
10. Treated water outlet

OVERALL DIMENSIONS EXPRESSED IN MM



Indicative dimensions

Code	Width - A	Height - B
FCA80	315	1597
FCA100	369	1906
FCA104	510	2047
FCA106	552	2020

BRAVOFDCA

Automatic iron separation filter



CHARACTERISTICS

The presence of iron and manganese is not only capable of altering the water potability, but can also create major technological problems such as: coloured stains (red in the case of iron and black in the case of manganese), pipe clogging, initiation and acceleration of corrosive phenomena, development of iron-bacteria colonies, that may also cause huge corrosion phenomena.

As long as water is deep and lacking in oxygen, iron and manganese are present in the form of colourless soluble salts (bicarbonates). Once water is brought into contact with air during pumping, irrigation, or storage in tanks, iron and manganese ions undergo an oxidation process that turns them into insoluble coloured hydroxides.

In order to remove iron and manganese, water must be handled with a double treatment in series, consisting of oxidation and filtration.

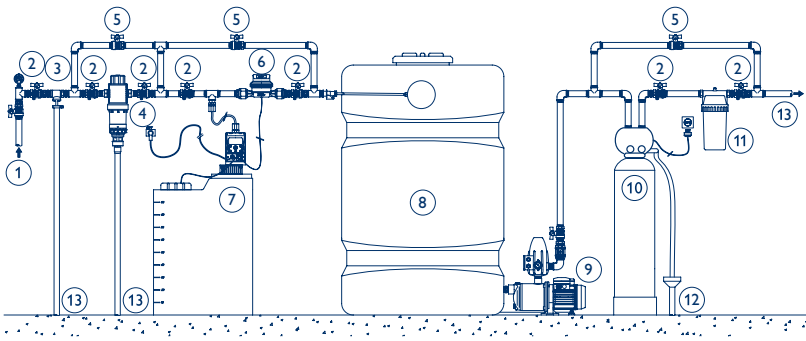
In the case of more difficult waters that contain, in addition to iron, ammonia, bacterial load, etc. it is necessary to use BravoFDCA iron removal filters. These work with the addition of sodium hypochlorite, and are therefore capable of handling heavier workloads (BravoFDCA used with dosing station with sodium hypochlorite product).

BravoFDCA consisting of: glass-fibre reinforced polypropylene cylinder, control valve, iron removal material

- min/max operating pressure: 1.5 / 7 Bar - admissible pressure drop: 0.5 Bar Suitable for drinking water filtration for civil use.

Code	Model	Work connections	Backwash couplings	Nominal flow m ³ /h	Flow rate m ³ /h	Backwash flow rate m ³ /h	€
FDCA80	80	1" ¼	1" ¼	0,5	1,0	1,0	1.395,00
FDCA100	100	1" ¼	1" ¼	1,1	2,1	2,1	2.130,00
FDCA104	104	1" ½	1" ½	1,7	3,5	3,5	3.900,00
FDCA106	106	1" ½	1" ½	2,4	4,8	4,8	4.210,00

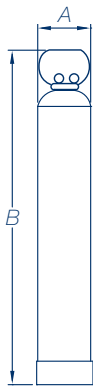
EXAMPLE OF INSTALLATION SCHEME



LEGEND

1. Raw water inlet,
2. Shut-off valve with sampling valve,
3. Disconnecter,
4. BravoFIL self-cleaning filter,
5. By-pass valve,
6. Pulse counter,
7. DOSANET P dosing station,
8. Oxidation tank,
9. Re-launch group,
10. BravoFDCA column filter,
11. Protection filter,
12. Unloading,
- 13 Treated water outlet

OVERALL DIMENSIONS EXPRESSED IN MM



Indicative dimensions

Code	Width - A	Height - B
FDCA80	315	1597
FDCA100	369	1906
FDCA104	510	2047
FDCA106	552	2020

REVERSE OSMOSIS

The presence of mineral salts dissolved in water represents a major issue for many industrial and technological applications.

Reverse osmosis is today the cheapest and most reliable technique available on the market to produce large quantities of water with low salt content.

Reverse osmosis does not require the use of corrosive chemicals (unlike resin demineralizers), it is easy to operate, and requires cheap and simple maintenance operations.

BravoOSMO demineralizers are ideal for applications such as: industrial processes, industrial washing, accumulators, cosmetics, galvanics, production of demineralised water in general.

For BravoOSMO 500/700/950/1150 and 1450 litre/h models, please request a quotation.



BRAVOOSMO

Reverse osmosis water demineralizers



CHARACTERISTICS

BravoOSMO for the production of demineralized water with low saline content - consisting of a smart satin-finish stainless steel casing, microprocessor electronic control panel with safety devices and equipped with kit.

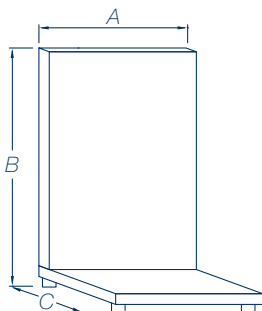
Suitable for civil-industrial applications.

Operating pressure: 10 Bar - minimum mains pressure: 2 Bar - saline reduction: 98%

Code	Model	Hourly production l/h	% water recovery	Number of membranes	Plant power KW	€
OS30LE	30 LE	30	40	1	0,30	4.380,00
OS60LE	60 LE	60	60 - 75	1	0,50	5.440,00
OS80LE	80 LE	80	60 - 75	1	0,55	7.780,00
OS160LE	160 LE	160	60 - 75	2	0,55	9.050,00
OS240LE	240 LE	240	60 - 75	3	0,55	10.300,00
OS320LE	320 LE	320	60 - 75	4	0,65	11.800,00

Notes: Performances are referred to feeding water with a salinity of 500 ppm and a temperature of 15 °C.

OVERALL DIMENSIONS EXPRESSED IN MM



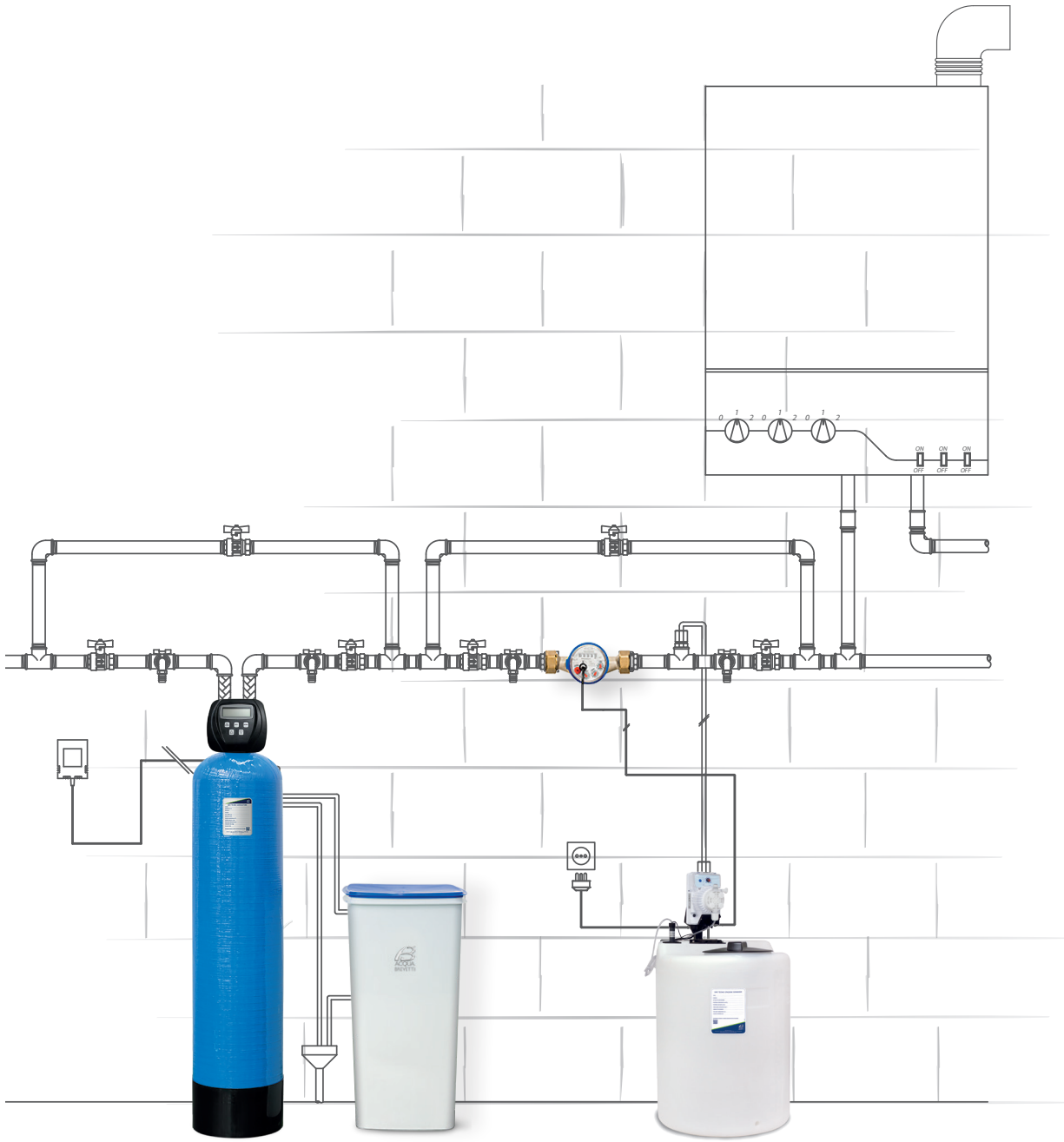
Code	Width - A	Height - B	Depth - C
OS30LE	500	770	380
OS60LE	550	1250	380
OS80LE	720	1250	380
OS160LE	720	1250	380
OS240LE	870	1250	380
OS320LE	870	1250	380

PROFESSIONAL WATER SOFTENING

One of the crucial problems in plumbing systems is the formation of limescale deposits caused by water hardness. Softening represents the technology that currently provides the best results in preventing limescale deposits. Softening consists in an ionic exchange reaction, carried out by special resins, that removes the ions responsible for the formation of incrustations (calcium and magnesium).

Using softened water provides several advantages: reduces limescale deposits in pipes, boilers and household appliances, reduces power consumption as well detergent consumption. Softened water, moreover, has a healing effect on the encrusted surfaces as it removes, over time, the calcareous concretions already present.





- **BRAVOSTANDARD TWIN BODY SOFTENERS**
 TIMED REGENERATION,
 TIMED REGENERATION WITH CHLORINE PRODUCER,
 TIME/VOLUME REGENERATION WITH CHLORINE PRODUCER

BRAVOSTANDARD T

Twin body softeners
Time-controlled regeneration
Technological use



CHARACTERISTICS

Twin-body softener, equipped with glass-fibre reinforced polypropylene cylinder, digital electronic control valve, hardness analysis kit - room temperature: min/max 5/40 °C - water temperature: min/max 5/30 °C - operating pressure: min/max 1.5/6 Bar -supply voltage: 230 vac - 50/60 Hz

For BravoSTANDARD with 1" couplings as standard equipment In/Out fittings with sample taps.

Code	Model	Att.	Resine volume lt	Flow rate				Cyclic capacity m³ x °f	Salt consumption Kg.	€
				min m³/h	max m³/h	recommended m³/h	peak m³/h			
ST40015	ST15	1"	15	0,12	1,2	0,8	6,0	90	2,70	1.280,00
ST40020	ST20	1"	20	0,16	1,6	1,0	6,0	120	3,60	1.315,00
ST40030	ST30	1"	30	0,25	2,5	1,5	6,0	180	5,40	1.400,00
ST40040	ST40	1"	40	0,25	2,5	1,5	6,0	240	7,20	1.444,00
ST40050	ST50	1"	50	0,25	2,5	1,5	6,0	300	9,00	1.660,00
ST40060	ST60	1"	60	0,36	3,6	2,2	6,0	360	10,80	1.850,00
ST40075	ST75	1"	75	0,50	4,9	3,0	6,0	450	13,50	2.210,00
ST400100	ST100	1"	100	0,65	6,0	3,9	6,0	600	18,00	2.815,00
ST400125	ST125	1"	125	0,82	6,0	4,9	6,0	750	22,50	3.510,00
ST420100	ST100	1" ¼	100	0,65	7,7	3,9	8,0	600	18,00	3.080,00
ST420125	ST125	1" ¼	125	0,82	7,7	4,9	8,0	750	22,50	3.615,00
ST420150	ST150	1" ¼	150	0,82	7,7	4,9	8,0	900	27,00	4.055,00
ST420175	ST175	1" ¼	175	0,82	7,7	4,9	8,0	1050	31,50	4.330,00
ST420200	ST200	1" ¼	200	1,12	7,7	6,7	8,0	1200	36,00	4.760,00
ST430125	ST125	1" ½	125	0,82	8,2	4,9	15,0	750	22,50	4.450,00
ST430150	ST150	1" ½	150	0,82	8,2	4,9	15,0	900	27,00	4.900,00
ST430175	ST175	1" ½	175	0,82	8,2	4,9	15,0	1050	31,50	5.230,00
ST430200	ST200	1" ½	200	1,12	11,2	6,7	15,0	1200	36,00	5.670,00
ST430250	ST250	1" ½	250	1,46	13,6	8,7	15,0	1500	45,00	6.850,00
ST430300	ST300	1" ½	300	1,46	13,6	8,7	15,0	1800	54,00	7.350,00

Notes: For softeners with different characteristics, ask for an offer.

GUIDELINES FOR CORRECT MAINTENANCE

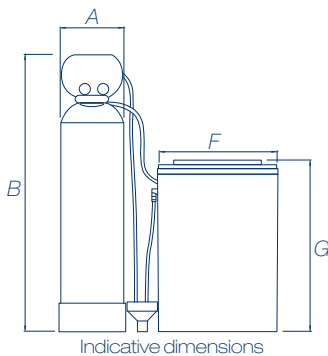


Description	1 year	2 years	3 years	4 years	5 years
Ejector set	Cleaning	Cleaning	Cleaning	Cleaning	Check operation Change if necessary
Rubber exhaust	Cleaning	Cleaning	Cleaning	Cleaning	Check operation Change if necessary
O-Ring	Check valve seal In case of loss change	Check valve seal In case of loss change	Check valve seal In case of loss change	Check valve seal In case of loss change	Check valve seal In case of loss change
Power supply 230V/12V	Check operation	Check operation	Check operation	Check operation	Check operation Change if necessary
Brine tank	Cleaning	Cleaning	Cleaning	Cleaning	Cleaning
Sanitization operation	To be performed after installation To be performed annually To be carried out for periods of inactivity longer than 30 days	To be performed after installation To be performed annually To be carried out for periods of inactivity longer than 30 days	To be performed after installation To be performed annually To be carried out for periods of inactivity longer than 30 days	To be performed after installation To be performed annually To be carried out for periods of inactivity longer than 30 days	To be performed after installation To be performed annually To be carried out for periods of inactivity longer than 30 days

ACCESSORIES

Code	Description	€
31015378	By pass Clack 1" - 1" ¼ (hardness adjuster included in the valve)	67,00
31015572	Space-saving curved fittings kit for Clack by-pass 1" - 1" ¼	36,00
31015175	Pressure relief valve and hardness adjuster - 1"¼ connections Flow rate m³/h 10 Δp 1 bar - Nominal pressure PN10 - Max temperature 90°C	410,00
31015189	Pressure relief valve and hardness adjuster - 2" connections Flow rate m³/h 18 Δp 1 bar - Nominal pressure PN10 - Max temperature 90°C	500,00
31015373	Chlorine producer Clack 1" - 1" ¼	183,00

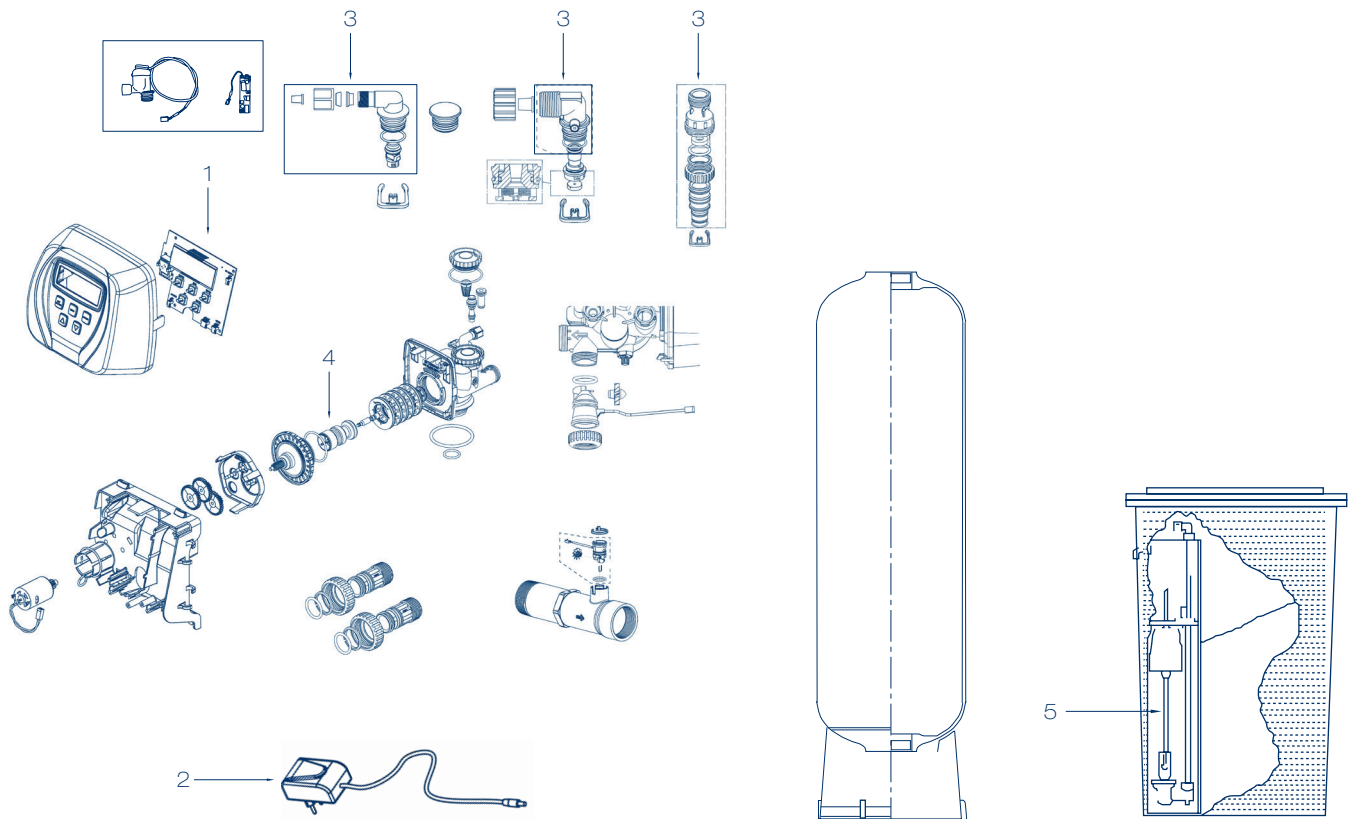
OVERALL DIMENSIONS EXPRESSED IN MM



Liters	Cylinder diameter A	Total height B	Vat diameter F	Vat height G
15	195	960	460	760
20	220	1306	460	760
30	269	1085	460	760
40	315	1567	460	760
50	315	1567	540x540	1010
60	315	1518	540x540	1010
75	369	1545	540x540	1010
100	406	1848	540x540	1010
125	510	1970	540x540	1010
150	510	1970	730	1160
175	510	1970	730	1160
200	552	1813	730	1160
175	526	1967	730	1160
200	568	1810	730	1160
250	626	2060	840	1010
300	626	2060	840	1010

RECOMMENDED SPARE PARTS

Pos.	Code	Description	Q.ty	€
1	31015414	Timer	1	146,00
2	31015084	Power adapter	1	42,00
3	31015433	Brine suction fitting 3/8" Clack 1" - 1" 1/4	1	18,00
	31015434	Brine suction fitting 1/2" Clack 1" 1/2	1	19,80
4	31015419	Equicurrent piston Clack 1"	1	24,00
	31015422	Equicurrent piston Clack 1" 1/4 - 1" 1/2	1	61,00
5	99013040	Air check with 1" Clack fitting - 15 - 40 l	1	20,00
	99013041	Air check with Clack fitting 1" - 1" 1/4 - 50 - 200 l	1	22,00
	99013042	Air check with Clack fitting 1" 1/2 - 175 - 200 l	1	24,00
	99013043	Air check with Clack fitting 1" 1/2 - 250 - 300 l	1	30,00



CONSUMABLES AND MAINTENANCE

Code	Description	Q.ty	€
48170005	SANITY KIT Sanitizing product for sanitization processes 1 Kg cans - 4 kg package	1	98,00
48105016	PEROXIDE ANALYSIS KIT for sanity kit The kit allows you to check if the sanitation has been correctly performed	1	76,00
48500007	Food grade silicone suitable for lubrication of mechanical parts and o-rings	1	74,00
48105020	HARDNESS ANALYSIS KIT - individual reagent	1	14,00
48100007	SALT PILLS - 25 KG BAG	1	18,80
48100002	C100E SOFTENING RESIN - 25 Kg bag	1	118,80

BRAVOSTANDARD TD

Twin body softeners
Timed regeneration
with disinfection of the resins
Drinking use



CHARACTERISTICS

Twin-body softener, equipped with glass-fibre reinforced polypropylene cylinder, digital electronic control valve, hardness analysis kit - room temperature: min/max 5/40 °C - water temperature: min/max 5/30 °C - operating pressure: min/max 1.5/6 Bar - supply voltage: 230 vac - 50/60 Hz

For BravoSTANDARD with 1" couplings as standard equipment In/Out fittings with sample taps.

Code	Model	Att.	Resine volume lt	Flow rate				Cyclic capacity m ³ x °f	Salt consumption Kg.	€
				min m ³ /h	max m ³ /h	recommended m ³ /h	peak m ³ /h			
ST40215	ST15	1"	15	0,12	1,2	0,8	6,0	90	2,70	1.445,00
ST40220	ST20	1"	20	0,16	1,6	1,0	6,0	120	3,60	1.480,00
ST40230	ST30	1"	30	0,25	2,5	1,5	6,0	180	5,40	1.565,00
ST40240	ST40	1"	40	0,25	2,5	1,5	6,0	240	7,20	1.650,00
ST40250	ST50	1"	50	0,25	2,5	1,5	6,0	300	9,00	1.830,00
ST40260	ST60	1"	60	0,36	3,6	2,2	6,0	360	10,80	2.020,00
ST40275	ST75	1"	75	0,50	4,9	3,0	6,0	450	13,50	2.280,00
ST402100	ST100	1"	100	0,65	6,0	3,9	6,0	600	18,00	2.968,00
ST402125	ST125	1"	100	0,82	6,0	4,9	6,0	750	22,50	3.633,00
ST422100	ST100	1" ¼	100	0,65	7,7	3,9	8,0	600	18,00	3.250,00
ST422125	ST125	1" ¼	125	0,82	7,7	4,9	8,0	750	22,50	3.780,00
ST422150	ST150	1" ¼	150	0,82	7,7	4,9	8,0	900	27,00	4.220,00
ST422175	ST175	1" ¼	175	0,82	7,7	4,9	8,0	1050	31,50	4.490,00
ST422200	ST200	1" ¼	200	1,12	7,7	6,7	8,0	1200	36,00	4.950,00
ST432125	ST125	1" ½	125	0,82	8,2	4,9	15,0	750	22,50	4.650,00
ST432150	ST150	1" ½	150	0,82	8,2	4,9	15,0	900	27,00	5.100,00
ST432175	ST175	1" ½	175	0,82	8,2	4,9	15,0	1050	31,50	5.415,00
ST432200	ST200	1" ½	200	1,12	11,2	6,7	15,0	1200	36,00	5.860,00
ST432250	ST250	1" ½	250	1,46	13,6	8,7	15,0	1500	45,00	7.000,00
ST432300	ST300	1" ½	300	1,46	13,6	8,7	15,0	1800	54,00	7.500,00

Notes: For softeners with different characteristics, ask for an offer.

GUIDELINES FOR CORRECT MAINTENANCE

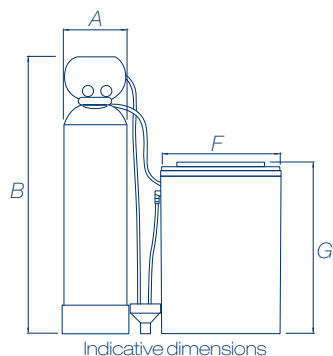


Description	1 year	2 years	3 years	4 years	5 years
Ejector set	Cleaning	Cleaning	Cleaning	Cleaning	Check operation Change if necessary
Rubber exhaust	Cleaning	Cleaning	Cleaning	Cleaning	Check operation Change if necessary
O-Ring	Check valve seal In case of loss change	Check valve seal In case of loss change	Check valve seal In case of loss change	Check valve seal In case of loss change	Check valve seal In case of loss change
Power supply 230V/12V	Check operation	Check operation	Check operation	Check operation	Check operation Change if necessary
Brine tank	Cleaning	Cleaning	Cleaning	Cleaning	Cleaning
Sanitization operation	To be performed after installation To be performed annually To be carried out for periods of inactivity longer than 30 days	To be performed after installation To be performed annually To be carried out for periods of inactivity longer than 30 days	To be performed after installation To be performed annually To be carried out for periods of inactivity longer than 30 days	To be performed after installation To be performed annually To be carried out for periods of inactivity longer than 30 days	To be performed after installation To be performed annually To be carried out for periods of inactivity longer than 30 days

ACCESSORIES

Code	Description	€
31015378	By pass Clack 1" - 1" 1/4 (hardness adjuster included in the valve)	67,00
31015572	Space-saving curved fittings kit for Clack by-pass 1" - 1" 1/4	36,00
31015175	Pressure relief valve and hardness adjuster - 1"1/4 connections Flow rate m ³ /h 10 Δp 1 bar - Nominal pressure PN10 - Max temperature 90°C	410,00
31015189	Pressure relief valve and hardness adjuster - 2" connections Flow rate m ³ /h 18 Δp 1 bar - Nominal pressure PN10 - Max temperature 90°C	500,00
31015373	Chlorine producer Clack 1" - 1" 1/4	183,00

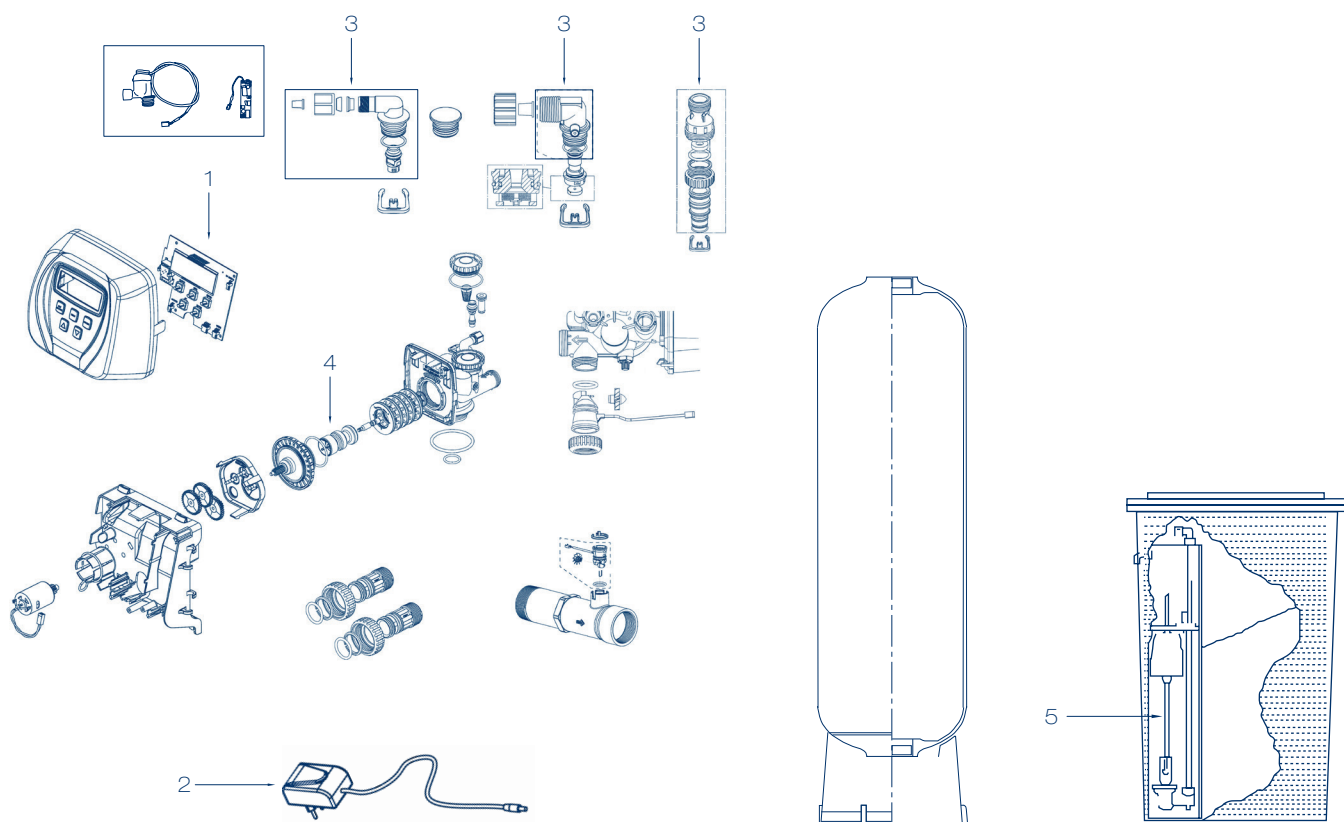
OVERALL DIMENSIONS EXPRESSED IN MM



Liters	Cylinder diameter A	Total height B	Vat diameter F	Vat height G
15	195	960	460	760
20	220	1306	460	760
30	269	1085	460	760
40	315	1567	460	760
50	315	1567	540x540	1010
60	315	1518	540x540	1010
75	369	1545	540x540	1010
100	406	1848	540x540	1010
125	510	1970	540x540	1010
150	510	1970	730	1160
175	510	1970	730	1160
200	552	1813	730	1160
175	526	1967	730	1160
200	568	1810	730	1160
250	626	2060	840	1010
300	626	2060	840	1010

RECOMMENDED SPARE PARTS

Pos.	Code	Description	Q.ty	€
1	31015414	Timer	1	146,00
2	31015084	Power adapter	1	42,00
3	31015433	Brine suction fitting 3/8" Clack 1" - 1" 1/4	1	18,00
	31015434	Brine suction fitting 1/2" Clack 1" 1/2	1	19,80
4	31015419	Equicurrent piston Clack 1"	1	24,00
	31015422	Equicurrent piston Clack 1" 1/4 - 1" 1/2	1	61,00
5	99013040	Air check with 1" Clack fitting - 15 - 40 l	1	20,00
	99013041	Air check with Clack fitting 1" - 1" 1/4 - 50 - 200 l	1	22,00
	99013042	Air check with Clack fitting 1" 1/2 - 175 - 200 l	1	24,00
	99013043	Air check with Clack fitting 1" 1/2 - 250 - 300 l	1	30,00



CONSUMABLES AND MAINTENANCE

Code	Description	Q.ty	€
48170005	SANITY KIT Sanitizing product for sanitization processes 1 Kg cans - 4 kg package	1	98,00
48105016	PEROXIDE ANALYSIS KIT for sanity kit The kit allows you to check if the sanitation has been correctly performed	1	76,00
48500007	Food grade silicone suitable for lubrication of mechanical parts and o-rings	1	74,00
48105020	HARDNESS ANALYSIS KIT - individual reagent	1	14,00
48100007	SALT PILLS - 25 KG BAG	1	18,80
48100002	C100E SOFTENING RESIN - 25 Kg bag	1	118,80

BRAVOSTANDARD VED

Twin body softeners
Regeneration in time and volume
with disinfection of the resins
Drinking use



CHARACTERISTICS

Twin-body softener, equipped with glass-fibre reinforced polypropylene cylinder, digital electronic control valve, hardness analysis kit - room temperature: min/max 5/40 °C - water temperature: min/max 5/30 °C - operating pressure: min/max 1.5/6 Bar - supply voltage: 230 vac - 50/60 Hz

For BravoSTANDARD with 1" couplings as standard equipment In/Out fittings with sample taps.

Code	Model	Att.	Resine volume lt	Flow rate				Cyclic capacity m³ x °f	Salt consumption Kg.	€
				min m³/h	max m³/h	recommended m³/h	peak m³/h			
ST40415	ST15	1"	15	0,12	1,2	0,8	6,0	90	2,70	1.480,00
ST40420	ST20	1"	20	0,16	1,6	1,0	6,0	120	3,60	1.520,00
ST40430	ST30	1"	30	0,25	2,5	1,5	6,0	180	5,40	1.600,00
ST40440	ST40	1"	40	0,25	2,5	1,5	6,0	240	7,20	1.680,00
ST40450	ST50	1"	50	0,25	2,5	1,5	6,0	300	9,00	1.860,00
ST40460	ST60	1"	60	0,36	3,6	2,2	6,0	360	10,80	2.050,00
ST40475	ST75	1"	75	0,50	4,9	3,0	6,0	450	13,50	2.320,00
ST404100	ST100	1"	100	0,65	6,0	3,9	6,0	600	18,00	3.350,00
ST404125	ST125	1"	125	0,82	6,0	4,9	6,0	750	22,50	3.800,00
ST424100	ST100	1" ¼	100	0,65	7,7	3,9	8,0	600	18,00	3.630,00
ST424125	ST125	1" ¼	125	0,82	7,7	4,9	8,0	750	22,50	3.900,00
ST424150	ST150	1" ¼	150	0,82	7,7	4,9	8,0	900	27,00	4.260,00
ST424175	ST175	1" ¼	175	0,82	7,7	4,9	8,0	1050	31,50	4.550,00
ST424200	ST200	1" ¼	200	1,12	7,7	6,7	8,0	1200	36,00	4.970,00
ST434125	ST125	1" ½	125	0,82	8,2	4,9	15,0	750	22,50	5.150,00
ST434150	ST150	1" ½	150	0,82	8,2	4,9	15,0	900	27,00	5.600,00
ST434175	ST175	1" ½	175	0,82	8,2	4,9	15,0	1050	31,50	6.690,00
ST434200	ST200	1" ½	200	1,12	11,2	6,7	15,0	1200	36,00	7.150,00
ST434250	ST250	1" ½	250	1,46	13,6	8,7	15,0	1500	45,00	7.550,00
ST434300	ST300	1" ½	300	1,46	13,6	8,7	15,0	1800	54,00	8.050,00

Notes: For softeners with different characteristics, ask for an offer.

GUIDELINES FOR CORRECT MAINTENANCE

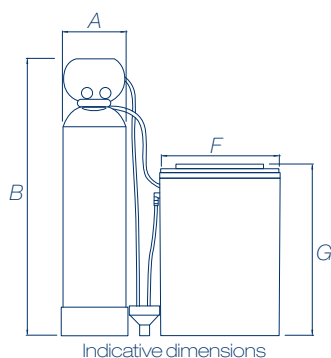


Description	1 year	2 years	3 years	4 years	5 years
Ejector set	Cleaning	Cleaning	Cleaning	Cleaning	Check operation Change if necessary
Rubber exhaust	Cleaning	Cleaning	Cleaning	Cleaning	Check operation Change if necessary
O-Ring	Check valve seal In case of loss change	Check valve seal In case of loss change	Check valve seal In case of loss change	Check valve seal In case of loss change	Check valve seal In case of loss change
Power supply 230V/12V	Check operation	Check operation	Check operation	Check operation	Check operation Change if necessary
Brine tank	Cleaning	Cleaning	Cleaning	Cleaning	Cleaning
Sanitization operation	To be performed after installation To be performed annually To be carried out for periods of inactivity longer than 30 days	To be performed after installation To be performed annually To be carried out for periods of inactivity longer than 30 days	To be performed after installation To be performed annually To be carried out for periods of inactivity longer than 30 days	To be performed after installation To be performed annually To be carried out for periods of inactivity longer than 30 days	To be performed after installation To be performed annually To be carried out for periods of inactivity longer than 30 days

ACCESSORIES

Code	Description	€
31015378	By pass Clack 1" - 1" ¼ (hardness adjuster included in the valve)	67,00
31015572	Space-saving curved fittings kit for Clack by-pass 1" - 1" ¼	36,00
31015175	Pressure relief valve and hardness adjuster - 1"¼ connections Flow rate m³/h 10 Δp 1 bar - Nominal pressure PN10 - Max temperature 90°C	410,00
31015189	Pressure relief valve and hardness adjuster - 2" connections Flow rate m³/h 18 Δp 1 bar - Nominal pressure PN10 - Max temperature 90°C	500,00
31015373	Chlorine producer Clack 1" - 1" ¼	183,00

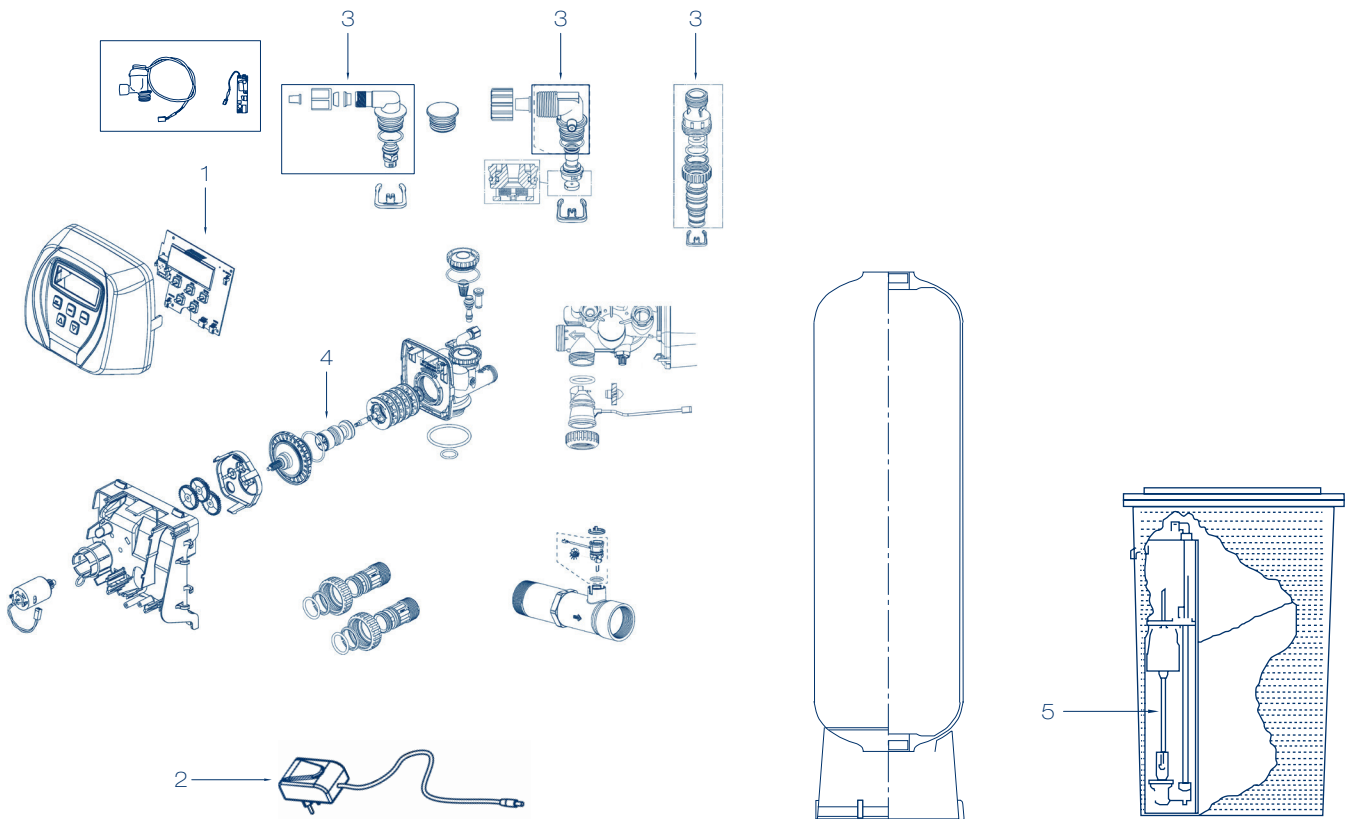
OVERALL DIMENSIONS EXPRESSED IN MM



Liters	Cylinder diameter A	Total height B	Vat diameter F	Vat height G
15	195	960	460	760
20	220	1306	460	760
30	269	1085	460	760
40	315	1567	460	760
50	315	1567	540x540	1010
60	315	1518	540x540	1010
75	369	1545	540x540	1010
100	406	1848	540x540	1010
125	510	1970	540x540	1010
150	510	1970	730	1160
175	510	1970	730	1160
200	552	1813	730	1160
175	526	1967	730	1160
200	568	1810	730	1160
250	626	2060	840	1010
300	626	2060	840	1010

RECOMMENDED SPARE PARTS

Pos.	Code	Description	Q.ty	€
1	31015414	Timer	1	146,00
2	31015084	Power adapter	1	42,00
3	31015433	Brine suction fitting 3/8" Clack 1" - 1" 1/4	1	18,00
	31015434	Brine suction fitting 1/2" Clack 1" 1/2	1	19,80
4	31015419	Equicurrent piston Clack 1"	1	24,00
	31015422	Equicurrent piston Clack 1" 1/4 - 1" 1/2	1	61,00
5	99013040	Air check with 1" Clack fitting - 15 - 40 l	1	20,00
	99013041	Air check with Clack fitting 1" - 1" 1/4 - 50 - 200 l	1	22,00
	99013042	Air check with Clack fitting 1" 1/2 - 175 - 200 l	1	24,00
	99013043	Air check with Clack fitting 1" 1/2 - 250 - 300 l	1	30,00

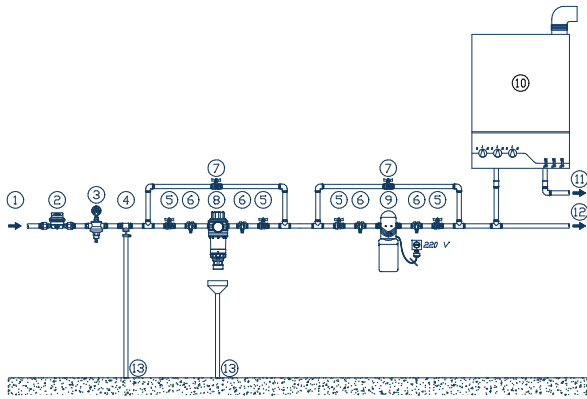


CONSUMABLES AND MAINTENANCE

Code	Description	Q.ty	€
48170005	SANITY KIT Sanitizing product for sanitization processes 1 Kg cans - 4 kg package	1	98,00
48105016	PEROXIDE ANALYSIS KIT for sanity kit The kit allows you to check if the sanitation has been correctly performed	1	76,00
48500007	Food grade silicone suitable for lubrication of mechanical parts and o-rings	1	74,00
48105020	HARDNESS ANALYSIS KIT - individual reagent	1	14,00
48100007	SALT PILLS - 25 KG BAG	1	18,80
48100002	C100E SOFTENING RESIN - 25 Kg bag	1	118,80

EXAMPLES OF INSTALLATION SCHEME

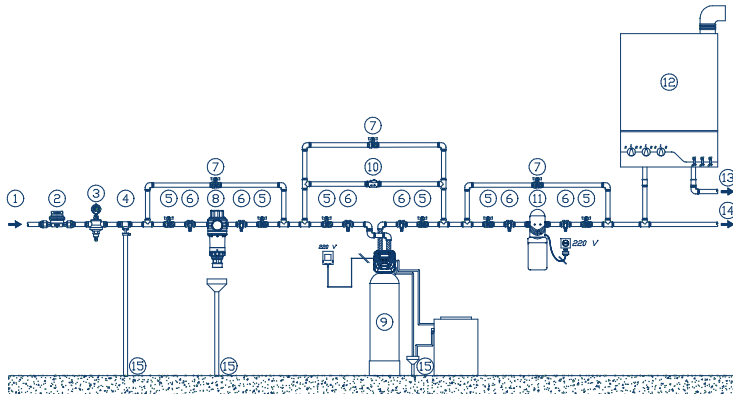
SCHEME A



LEGEND

1. Raw water inlet;
2. General counter;
3. Pressure reducer;
4. Disconnector;
5. Shut-off valve;
6. Sampling tap;
7. By-pass valve;
8. PuliFIL filter;
9. BravaDOS metering pump;
10. Boiler;
11. Hot water outlet;
12. Cold water outlet;
13. Discharge.

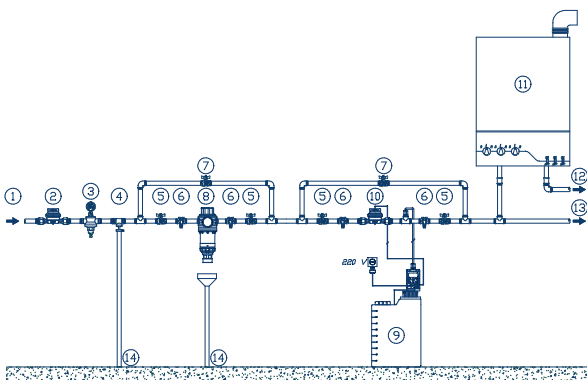
SCHEME B



LEGEND

1. Raw water inlet;
2. General counter;
3. Pressure reducer;
4. Disconnector;
5. Shut-off valve;
6. Sampling tap;
7. By-pass valve;
8. PuliFIL filter;
9. BravoSTANDARD softener;
10. Hardness calibrator;
11. BravaDOS metering pump;
12. Boiler;
13. Hot water outlet;
14. Cold water outlet;
15. Discharge.

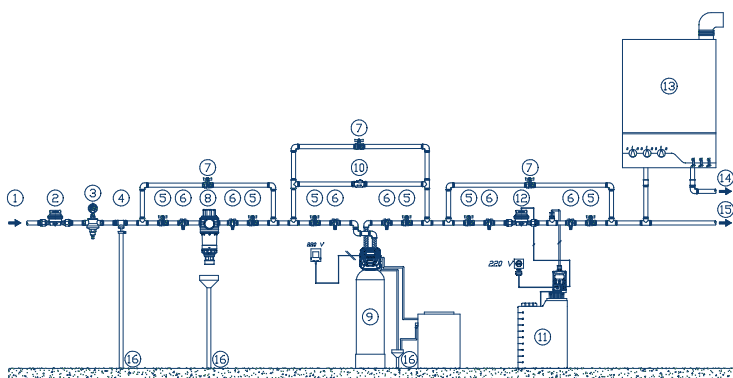
SCHEME C



LEGEND

1. Raw water inlet;
2. General counter;
3. Pressure reducer;
4. Disconnector;
5. Shut-off valve;
6. Tap takes sample;
7. By-pass valve;
8. PuliFIL filter;
9. DOSANET dosing station;
10. Counter launches impulses;
11. Boiler;
12. Hot water outlet;
13. Cold water outlet;
14. Discharge.

SCHEME D



LEGEND

1. Raw water inlet;
2. General counter;
3. Pressure reducer;
4. Disconnector;
5. Shut-off valve;
6. Sampling tap;
7. By-pass valve;
8. PuliFIL filter;
9. BravoSTANDARD softener;
10. Hardness calibrator;
11. DOSANET dosing station;
12. Counter launches impulses;
13. Boiler;
14. Hot water outlet;
15. Cold water outlet;
16. Discharge.

PRATICO

How to calculate the correct system



PRATICO's data refer to hot + cold water treatment, apartments with two bathrooms.

PRATICO is intended as an indicative aid; for complete sizing, please contact us, or use the software "DIMENSIONE H2O".

If the system is to be sized for less than 8 apartments, see PRATICO on page 48 and page 53.

No. of apts.	Water hardness to treat 0-25° f		Water hardness to treat 25-35° f		Water hardness to treat 35-45° f	
8	FT014 PM014 PC003	PulifIL 1"¼ self-cleaning filter BravaDOS 1"¼ dosing pump AcquaSIL 20/40® kg.5 SCHEME A	FT014 ST40440 PM014 PC003	PulifIL 1"¼ self-cleaning filter BravoSTANDARD 40 VED Soft. BravaDOS 1"¼ dosing pump AcquaSIL 20/40® kg.5 SCHEME B	FT014 ST40460 PM014 PC003	PulifIL 1"¼ self-cleaning filter BravoSTANDARD 60 VED Soft. BravaDOS 1"¼ dosing pump AcquaSIL 20/40® kg.5 SCHEME B
10	FT014 PM014 PC003	PulifIL 1"¼ self-cleaning filter BravaDOS 1"¼ dosing pump AcquaSIL 20/40® kg.5 SCHEME A	FT014 ST40450 PM014 PC003	PulifIL 1"¼ self-cleaning filter BravoSTANDARD 50 VED Soft. BravaDOS 1"¼ dosing pump AcquaSIL 20/40® kg.5 SCHEME B	FT014 ST40475 PM014 PC003	PulifIL 1"¼ self-cleaning filter BravoSTANDARD 75 VED Soft. BravaDOS 1"¼ dosing pump AcquaSIL 20/40® kg.5 SCHEME B
12	FT016 PM014 PC003	PulifIL 1"½ self-cleaning filter BravaDOS 1"¼ dosing pump AcquaSIL 20/40® kg.5 SCHEME A	FT016 ST40460 PM014 PC003	PulifIL 1"½ self-cleaning filter BravoSTANDARD 60 VED Soft. BravaDOS 1"¼ dosing pump AcquaSIL 20/40® kg.5 SCHEME B	FT016 ST424100 PM014 PC003	PulifIL 1"½ self-cleaning filter BravoSTANDARD 100 VED Soft. BravaDOS 1"¼ dosing pump AcquaSIL 20/40® kg.5 SCHEME B
14	FT016 SD110100 PM062 9900400005 PC001	PulifIL 1"½ self-cleaning filter Complete 120 l tank Proportional pump APG 603 Pulse counter 1"½ AcquaSIL 5/10 kg.25 SCHEME C	FT016 ST40460 SD110100 PM062 9900400005 PC001	PulifIL 1"½ self-cleaning filter BravoSTANDARD 75 VED Soft. Complete 120 l tank Proportional pump APG 603 Pulse meter 1"½ AcquaSIL 5/10 kg.25 SCHEME D	FT016 ST424100 SD110100 PM062 9900400005 PC001	PulifIL 1"½ self-cleaning filter BravoSTANDARD 100 VED Soft. Complete 120 l tank Proportional pump APG 603 Pulse meter 1"½ AcquaSIL 5/10 kg.25 SCHEME D
16	FT016 SD110100 PM062 9900400005 PC001	PulifIL 1"½ self-cleaning filter Complete 120 l tank Proportional pump APG 603 Pulse counter 1"½ AcquaSIL 5/10 kg.25 SCHEME C	FT016 ST40475 SD110100 PM062 9900400005 PC001	PulifIL 1"½ self-cleaning filter BravoSTANDARD 75 VED Soft. Complete 120 l tank Proportional pump APG 603 Pulse meter 1"½ AcquaSIL 5/10 kg.25 SCHEME D	FT016 ST424100 SD110100 PM062 9900400005 PC001	PulifIL 1"½ self-cleaning filter BravoSTANDARD 100 VED Soft. Complete 120 l tank Proportional pump APG 603 Pulse meter 1"½ AcquaSIL 5/10 kg.25 SCHEME D
18	FT016 SD110100 PM062 9900400005 PC001	PulifIL 1"½ self-cleaning filter Complete 120 l tank Proportional pump APG 603 Pulse counter 1"½ AcquaSIL 5/10 kg.25 SCHEME C	FT016 ST424100 SD110100 PM062 9900400005 PC001	PulifIL 1"½ self-cleaning filter BravoSTANDARD 100 VED Soft. Complete 120 l tank Proportional pump APG 603 Pulse meter 1"½ AcquaSIL 5/10 kg.25 SCHEME D	FT016 ST424125 SD110100 PM062 9900400005 PC001	PulifIL 1"½ self-cleaning filter BravoSTANDARD 125 VED Soft. Complete 120 l tank Proportional pump APG 603 Pulse meter 1"½ AcquaSIL 5/10 kg.25 SCHEME D
20	FT016 SD110100 PM062 9900400005 PC001	PulifIL 1"½ self-cleaning filter Complete 120 l tank Proportional pump APG 603 Pulse counter 1"½ AcquaSIL 5/10 kg.25 SCHEME C	FT016 ST424100 SD110100 PM062 9900400005 PC001	PulifIL 1"½ self-cleaning filter BravoSTANDARD 100 VED Soft. Complete 120 l tank Proportional pump APG 603 Pulse meter 1"½ AcquaSIL 5/10 kg.25 SCHEME D	FT016 ST424125 SD110100 PM062 9900400005 PC001	PulifIL 1"½ self-cleaning filter BravoSTANDARD 125 VED Soft. Complete 120 l tank Proportional pump APG 603 Pulse meter 1"½ AcquaSIL 5/10 kg.25 SCHEME D
24	FT016 SD110100 PM062 9900400005 PC001	PulifIL 1"½ self-cleaning filter Complete 120 l tank Proportional pump APG 603 Pulse counter 1"½ AcquaSIL 5/10 kg.25 SCHEME C	FT016 ST424125 SD110100 PM062 9900400005 PC001	PulifIL 1"½ self-cleaning filter BravoSTANDARD 125 VED Soft. Complete 120 l tank Proportional pump APG 603 Pulse meter 1"½ AcquaSIL 5/10 kg.25 SCHEME D	FT016 ST424150 SD110100 PM062 9900400005 PC001	PulifIL 1"½ self-cleaning filter BravoSTANDARD 150 VED Soft. Complete 120 l tank Proportional pump APG 603 Pulse meter 1"½ AcquaSIL 5/10 kg.25 SCHEME D

No. of apts.	Water hardness to treat 0-25° f		Water hardness to treat 25-35° f		Durezza acqua da trattare 35-45° f	
28	FT018 SD110100 PM062 9900400005 PC001	PulifIL 2" self cleaning filter Complete 120 l tank Proportional pump APG 603 Pulse counter 1"½ AcquaSIL 5/10 kg.25	FT018 ST424125 SD110100 PM062 9900400005 PC001	PulifIL 2" self-cleaning filter BravoSTANDARD 125 VED Soft. Complete 120 l tank Proportional pump APG 603 Pulse meter 1"½ AcquaSIL 5/10 kg.25	FT018 ST424150 SD110100 PM062 9900400005 PC001	PulifIL 2" self-cleaning filter BravoSTANDARD 150 VED Soft. Complete 120 l tank Proportional pump APG 603 Pulse meter 1"½ AcquaSIL 5/10 kg.25
		SCHEME C		SCHEME D		SCHEME D
32	FT018 SD110100 PM062 9900400015 PC001	PulifIL 2" self cleaning filter Complete 120 l tank, Proportional pump APG 603 Pulse counter 2" AcquaSIL 5/10 kg.25	FT018 ST424150 SD110100 PM062 9900400015 PC001	PulifIL 2" self-cleaning filter BravoSTANDARD 150 VED Soft. Complete 120 l tank Proportional pump APG 603 Pulse counter 2" AcquaSIL 5/10 kg 25	FT018 ST424200 SD110100 PM062 9900400015 PC001	PulifIL 2" self-cleaning filter BravoSTANDARD 200 VED Soft. Complete 120 l tank Proportional pump APG 603 Pulse counter 2" AcquaSIL 5/10 kg 25
		SCHEME C		SCHEME D		SCHEME D
36	FT018 SD110100 PM062 9900400015 PC001	PulifIL 2" self cleaning filter Complete 120 l tank, Proportional pump APG 603 Pulse counter 2" AcquaSIL 5/10 kg.25	FT018 ST424175 SD110100 PM062 9900400015 PC001	PulifIL 2" self-cleaning filter BravoSTANDARD 150 VED Soft. Complete 120 l tank Proportional pump APG 603 Pulse counter 2" AcquaSIL 5/10 kg 25	FT018 ST424200 SD110100 PM062 9900400015 PC001	PulifIL 2" self-cleaning filter BravoSTANDARD 200 VED Soft. Complete 120 l tank Proportional pump APG 603 Pulse counter 2" AcquaSIL 5/10 kg 25
		SCHEME C		SCHEME D		SCHEME D
40	FT018 SD110100 PM062 9900400015 PC001	PulifIL 2" self cleaning filter Complete 120 l tank Proportional pump APG 603 Pulse counter 2" AcquaSIL 5/10 kg.25	FT018 ST434200 SD110100 PM062 9900400015 PC001	PulifIL 2" self-cleaning filter BravoSTANDARD 200 VED Soft. Complete 120 l tank Proportional pump APG 603 Pulse counter 2" AcquaSIL 5/10 kg 25	FT018 ST434250 SD110100 PM062 9900400015 PC001	PulifIL 2" self-cleaning filter BravoSTANDARD 250 VED Soft. Complete 120 l tank Proportional pump APG 603 Pulse counter 2" AcquaSIL 5/10 kg 25
		SCHEME C		SCHEME D		SCHEME D
44	FT018 SD110100 PM062 9900400015 PC001	PulifIL 2" self cleaning filter Complete 120 l tank Proportional pump APG 603 Pulse counter 2" AcquaSIL 5/10 kg.25	FT018 ST434200 SD110100 PM062 9900400015 PC001	PulifIL 2" self-cleaning filter BravoSTANDARD 200 VED Soft. Complete 120 l tank Proportional pump APG 603 Pulse counter 2" AcquaSIL 5/10 kg 25	FT018 ST434250 SD110100 PM062 9900400015 PC001	PulifIL 2" self-cleaning filter BravoSTANDARD 250 VED Soft. Complete 120 l tank Proportional pump APG 603 Pulse counter 2" AcquaSIL 5/10 kg 25
		SCHEME C		SCHEME D		SCHEME D
48	FT018 SD110100 PM062 9900400015 PC001	PulifIL 2" self cleaning filter Complete 120 l tank Proportional pump APG 603 Pulse counter 2" AcquaSIL 5/10 kg.25	FT018 ST434200 SD110100 PM062 9900400015 PC001	PulifIL 2" self-cleaning filter BravoSTANDARD 200 VED Soft. Complete 120 l tank Proportional pump APG 603 Pulse counter 2" AcquaSIL 5/10 kg 25	FT018 ST434300 SD110100 PM062 9900400015 PC001	PulifIL 2" self-cleaning filter BravoSTANDARD 300 VED Soft. Complete 120 l tank Proportional pump APG 603 Pulse counter 2" AcquaSIL 5/10 kg 25
		SCHEME C		SCHEME D		SCHEME D
50	FT018 SD110100 PM062 9900400015 PC001	PulifIL 2" self cleaning filter Complete 120 l tank Proportional pump APG 603 Pulse counter 2" AcquaSIL 5/10 kg.25	FT018 ST434250 SD110100 PM062 9900400015 PC001	PulifIL 2" self-cleaning filter BravoSTANDARD 250 VED Soft. Complete 120 l tank Proportional pump APG 603 Pulse counter 2" AcquaSIL 5/10 kg 25	FT018 ST434300 SD110100 PM062 9900400015 PC001	PulifIL 2" self-cleaning filter BravoSTANDARD 300 VED Soft. Complete 120 l tank Proportional pump APG 603 Pulse counter 2" AcquaSIL 5/10 kg 25
		SCHEME C		SCHEME D		SCHEME D

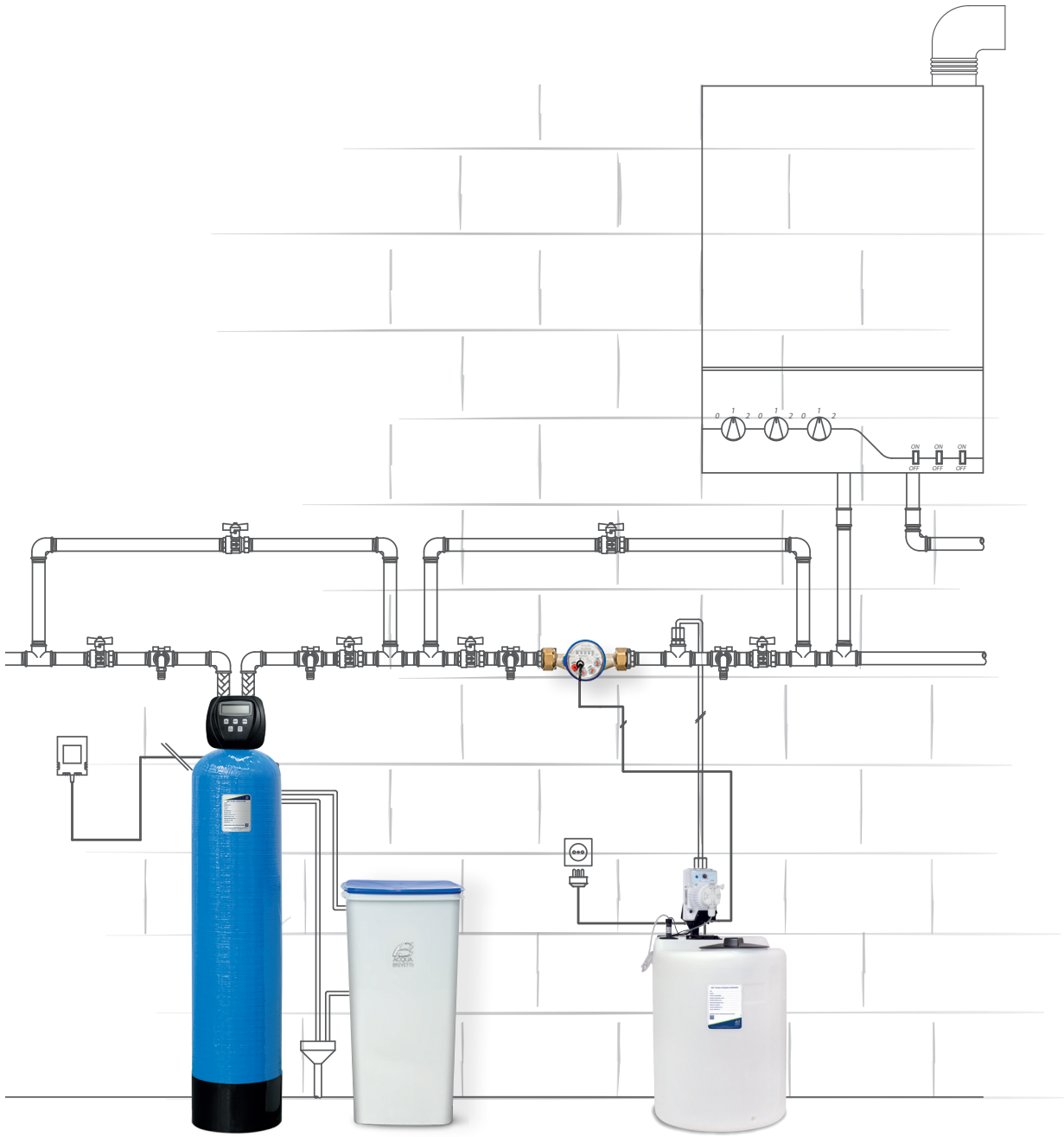
PROFESSIONAL DOSING SYSTEMS

The presence of undesirable substances can lead to negative water characteristics, such as high hardness values, pH other than neutral, bacterial load, dissolved oxygen. In these cases, it may be necessary to adjust the water characteristics by adding special chemicals through accurate and reliable dosing systems.

Acqua Brevetti has a complete range of dosing stations equipped with electromagnetic diaphragm pumps, suitable to satisfy all the needs in the field of civil and industrial water treatment.

The dosing stations are available in the constant DOSANET C version and in the proportional version managed by a DOSANET P pulse emitter counter. Alternatively, they can be managed by other control systems.





● **COMPLETE DOSING STATIONS
FOR PRODUCT USE**
AUXILIARY TREATMENT LINES

DOSANET P

Dosing station



✓ Products to use: AcquaSIL® Line

CHARACTERISTICS

Dosanet P dosing station consisting of an electromagnetic pump with digital signal (pulse emitter counter) proportional dosing system and knob-controlled adjustment - HDPE tank equipped with suction sprayer and assembled level probe, suitable for storing various types of chemical products - threaded counter for cold drinking water (up to 30°C) single jet (for 1/2" and 3/4") and multiple jet (for gauges up to 2") or WE axial swirl flanged counter.

Flanged DN UNI PN 10/16 Bar for cold water up to 30°C.

APG pump data: min/max flow rate l/h 4-8 - min/max pressure 2-12 Bar - max dosing frequency pulse/min 160 - supply voltage: 230 V 50/60 Hz



APG diaphragm dosing pump



CB pulse counter



WE pulse counter

APG - DIAPHRAGM DOSING PUMP

Code	Model	Pressure Bar	Flow rate lt/h	Connections mm	Frequencies imp/min	Gasket kit	€
PM062	APG 603 HP	12-10-8-2	4-5-6-8	4/6	160	Kit in PVC	387,00

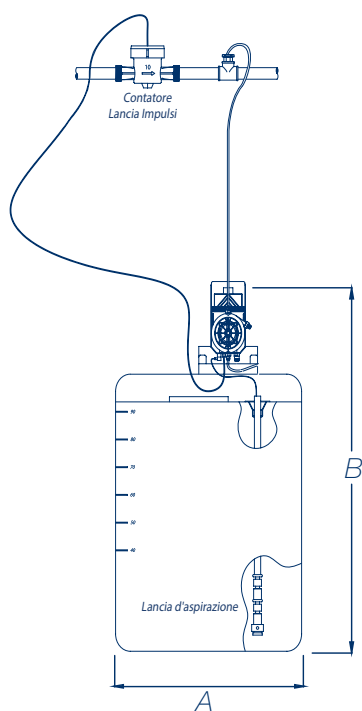
COMPLETE TANK

Code	Model	Volume lt	€
SD110050	SER 60 COMPLETE assembled	60	374,00
SD110100	SER 120 COMPLETE assembled	120	427,00
SD110200	SER 220 COMPLETE assembled	220	562,00
SD110300	SER 325 COMPLETE assembled	325	682,00

CB - WE PULSE EMITTER COUNTERS

Code	Model	Connections	Impulses per liters	Wheelbase mm	Nominal flow rate m ³ /h	€
9900400001	CB	1/2"	4	110	1,5	103,00
9900400002	CB	3/4"	4	130	2,5	114,00
9900400003	CB	1"	4	260	3,5	164,00
9900400004	CB	1"1/4	4	260	5	175,00
9900400005	CB	1"1/2	4	300	10	297,00
9900400015	CB	2"	4	300	15	403,00
9900424063	WE	DN 50	1/100lt - 1/1000lt	200	15	589,00
9900424066	WE	DN 65	1/100lt - 1/1000lt	200	25	624,00
9900424069	WE	DN 80	1/100lt - 1/1000lt	225	40	658,00
9900424072	WE	DN 100	1/100lt - 1/1000lt	250	60	716,00
9900424077	WE	DN 150	1/1000lt - 1/100000lt	300	150	1.175,00
SC100	Counter management card (up to 4 counters)					108,00

OVERALL DIMENSIONS EXPRESSED IN MM



Description	Tank size - A	Total height - B
Dosanet P 60	400	565
Dosanet P 120	500	705
Dosanet P 220	620	825
Dosanet P 325	710	915

DOSANET PV

Dosing station



- ✓ Products to use:
Dilurit-Cat - Technological use
Ferrocid® 5280-S - Drinking use

CHARACTERISTICS

Dosanet P dosing station consisting of an electromagnetic pump with digital signal (pulse emitter counter) proportional dosing system and knob-controlled adjustment - HDPE tank equipped with suction sprayer and assembled level probe, back pressure valve, priming aid and flow sensor suitable for storing various types of chemical products - threaded counter for cold drinking water (up to 30°C) single jet (for 1/2" and 3/4") and multiple jet (for gauges up to 2") or WE axial swirl flanged counter.

TPG pump data: min/max flow rate l/h 2.5-3 - min/max pressure 18-20 Bar - max dosing frequency pulse/min 120 - supply voltage: 230 V 50/60 Hz



TPG diaphragm metering pump



CB pulse counter



WE pulse counter

TPG - DIAPHRAGM DOSING PUMP

Code	Model	Pressure Bar	Flow rate lt/h	Connections mm	Frequencies imp/min	Gasket kit	€
PM055	TPG 600 NAH	20 - 18	2.5 - 3.0	4/7 - 4/6	120	Kit in PVDF	773,00

COMPLETE TANK

Code	Model	Volume lt	€
SD310025	SER/V 30 COMPLETE assembled	30	490,00
SD310050	SER/V 60 COMPLETE assembled	60	510,00
SD310100	SER/V 120 COMPLETE assembled	120	580,00

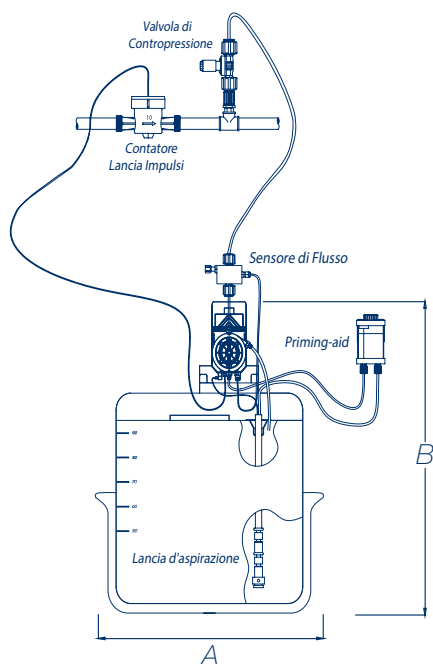
CB - WE PULSE EMITTER COUNTERS

Code	Model	Connections	Impulses per liters	Wheelbase mm	Nominal flow rate m ³ /h	€
9900400001	CB	1/2"	4	110	1,5	103,00
9900400002	CB	3/4"	4	130	2,5	114,00
9900400003	CB	1"	4	260	3,5	164,00
9900400004	CB	1"1/4	4	260	5	175,00
9900400005	CB	1"1/2	4	300	10	297,00
9900400015	CB	2"	4	300	15	403,00
9900424063	WE	DN 50	1/100lt - 1/1000lt	200	15	589,00
9900424066	WE	DN 65	1/100lt - 1/1000lt	200	25	624,00
9900424069	WE	DN 80	1/100lt - 1/1000lt	225	40	658,00
9900424072	WE	DN 100	1/100lt - 1/1000lt	250	60	716,00
9900424077	WE	DN 150	1/1000lt - 1/100000lt	300	150	1.175,00
SC100	Counter management card (up to 4 counters)					108,00

ACCESSORIES

Code	Description	Required	Optional	€
9900071123	Back pressure valve with FPM seals for injection point connection	✓		242,00
EM99106171	Priming Aid - priming device for pumps operating at low flow rates	✓		189,00
EM99106776	Flow sensor for in-line product dosing verification		✓	160,00

OVERALL DIMENSIONS EXPRESSED IN MM



Description	Tank size - A	Total height - B
Dosanet PV 30	600	450
Dosanet PV 60	600	565
Dosanet PV 120	700	705

DOSANET C

Dosing station



- ✓ Multifunctional treatment for steam boilers
- ✓ Product to use:
 - Ferrox® 8343
 - AZ® Line

CHARACTERISTICS

Dosanet C dosing station consisting of an electromagnetic pump with proportional dosing system and knob-controlled adjustment - HDPE tank equipped with suction sprayer and assembled level probe, suitable for storing various types of chemical products.

APG pump data: min/max flow rate l/h 4-8 - min/max pressure 2-12 Bar - max dosing frequency pulse/min 160 - supply voltage: 230 V 50/60 Hz



APG diaphragm metering pump

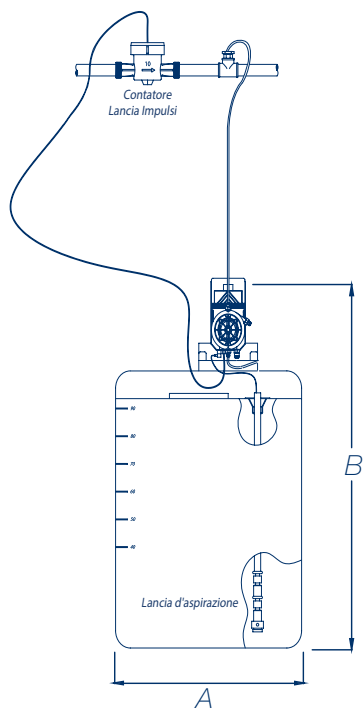
APG - DIAPHRAGM DOSING PUMP

Code	Model	Pressure Bar	Flow rate lt/h	Connections mm	Frequencies imp/min	Gasket kit	€
PM063	APG 603 NHH	12-10-8-2	4-5-6-8	4/6	160	Kit in PVDF	423,00

COMPLETE TANK

Code	Model	Volume lt	€
SD110050	SER 60 COMPLETE assembled	60	374,00
SD110100	SER 120 COMPLETE assembled	120	427,00
SD110200	SER 220 COMPLETE assembled	220	562,00
SD110300	SER 325 COMPLETE assembled	325	682,00

OVERALL DIMENSIONS EXPRESSED IN MM



Description	Tank size - A	Total height - B
Dosanet C 60	400	565
Dosanet C 120	500	705
Dosanet C 220	620	825
Dosanet C 320	710	915

COMPLETE SPRAYER

Suction lance with level probe



CHARACTERISTICS

Pre-assembled PVC/PP suction sprayer for 4x6 pipe, for SER tank model.
Equipped with: foot filter, check valve and level probe to stop the pump in the event of low tank liquid.

Code	Description	Dimensions W x Ø mm	Tank model	€
9900100075	Complete sprayer	450 x 22	SER 60	133,00
9900100087	Complete sprayer	650 x 22	SER 120	145,00
9900100086	Complete sprayer	900 x 22	SER 220	160,00
9900100160	Complete sprayer	1050 x 22	SER 325	160,00

ACCESSORIES

For dosing stations



Back pressure valve with FPM seals for injection point connection



Back pressure valve with FPM seals for injection point connection



Back pressure valve with FPM seals for injection point connection



Flow sensor for in-line product dosing verification



Flow sensor for in-line product dosing verification

Code	Description	€
9900071123	Back pressure valve with FPM seals for injection point connection	242,00
9900071122	Back pressure valve with PVDE seals for connection in the pipeline	242,00
EM99106171	Priming Aid - priming device for pumps operating at low flow rates	189,00
EM99106776	Flow sensor for in-line product dosing verification	160,00
EM99121000	Level probe with tank bracket	40,00

TOWER CONTROL X2000

Control system



CHARACTERISTICS

Tower Control X2000 for cooling tower management with biocide, inhibitor and drain, conductivity, flow rate and temperature control.

Equipped with probe holder, 1 diaphragm pump 5 l/h - 5 bar (anti-scale dosing), 1 diaphragm pump, 2 l/h - 15 bar (biocide dosage). Supply voltage: 230 V 50/60 Hz.



Wi-Fi connection included

Code	Model	Pieces per pack.	€
SC500100	TOWER CONTROL X2000	1	3.800,00

Notes: Product to use: Ferrofos 8446 / Ferrocid® 4601

GUIDELINES FOR CORRECT MAINTENANCE

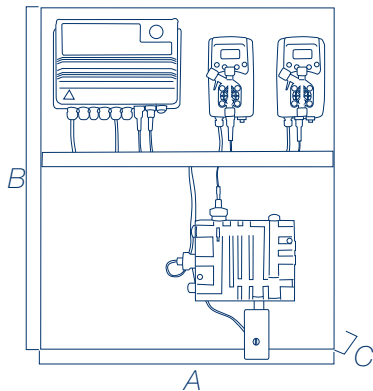


Description	3 months	6 months	9 months	1 year
Ferrosfos 8446 Ferrocid® 4601 product	Tank level check Fill-up if necessary	Tank level check Fill-up if necessary	Tank level check Fill-up if necessary	Tank level check Fill-up if necessary
X2000 panel	General operation check	General operation check	General operation check	General operation check
Conductivity probe	Cleaning Replace if necessary	Cleaning Replace if necessary	Cleaning Replace if necessary	Cleaning Replace if necessary
Probe housing	Cleaning	Cleaning	Cleaning	Cleaning

ACCESSORIES

Code	Description	Q.ty
SER/V	Tanks complete with level probe and container basin	2
CB/WE	Pulse emitter counter to check water refilling in the tower	1
CB/WE	Waste water control meter	1
48105009	DpD chlorine analysis kit	1

OVERALL DIMENSIONS EXPRESSED IN MM



Codice	Width - A	Height - B	Depth - C
SC500100	600	650	310



PROFESSIONAL CHILLERS

Water distributed through the water mains, even if strictly controlled to ensure its potability, may contain substances that make its taste unpleasant.

The BravoCasa range provides additional water treatment at the point of use, and renders water light and pure.

The microfiltration treatment combined with refrigeration and carbonation provides unique advantages: pure water, low cost, convenience of use, no bottle storage, no disposal of plastic or glass.





- **BRAVOCASA RANGE**

MICROFILTRATION TREATMENT COMBINED WITH REFRIGERATION
AND GASSING SYSTEMS

PURE WATER, LOW COST, CONVENIENCE OF USE, NO DISPOSAL OF
PLASTIC OR GLASS

BRAVOCASA PRO IN

Under counter cooler



CHARACTERISTICS

Professional water cooler ready for connection to the water mains, with active carbon microfiltration system featuring bacteriostatic effect to deliver cold still and cold sparkling water, ice bank with hermetically sealed tank and silver micro-welding with proven bactericidal action, suitable for installation under the kitchen top.

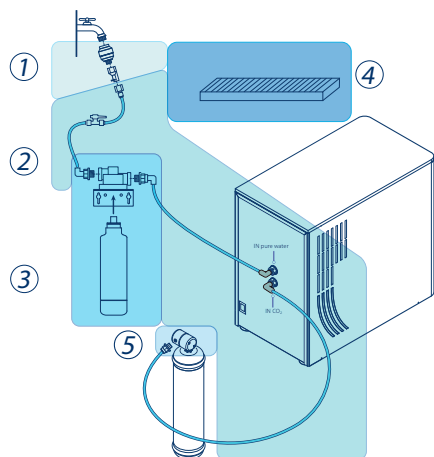
Equipped with pressure reducer for refillable CO₂ cylinders, head with DP0210 filter and drip tray - external casing: stainless steel - voltage supply: 230 Vac - 50/60 Hz - Not included: CO₂ cylinder

Code	Model	Flow rate lt/h	Microfiltration included	€
RF070	BravoCasa PRO IN	140	✓	3.100,00
RF072	BravoCasa PRO IN	210	✓	3.800,00

RECOMMENDED SPARE PARTS

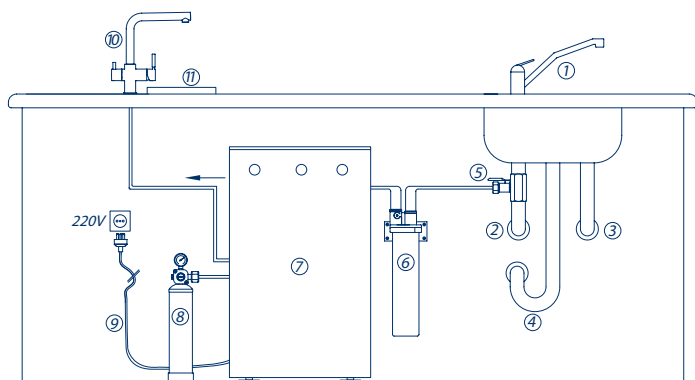
Code	Description	Q.ty per equipment	€
32016200	Bravo-Pro small Cartridge 10600 l SERVICE LIFE	1	73,00
32016202	Bravo-Pro medium Cartridge 16900 l SERVICE LIFE	1	98,00
32016051	Rechargeable cylinder - Kg.1 - with first charge included Ø 11.1 - H. 26.6 cm	1	244,00
32016052	Kg 1.5 refillable cylinder with first charge included Ø 10.2 - H. 38.5 cm	1	246,00
32016053	Kg 2 refillable cylinder with first charge included Ø 12 - H. 40 cm	1	249,00
46400005	Food grade pipe (water supply) Ø 8x6 mm	optional	per metre 7,00

EXAMPLE OF INSTALLATIONS SCHEME



Equipment legend

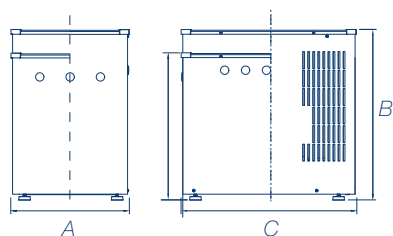
1. Complete anti-flooding block cod. 32016181;
2. Installation kit cod. 32016182;
3. Small cartridge with head and fittings cod. DP0210;
4. Drip tray;
5. Reducer .



Legend

1. Mains water tap;
2. Cold water;
3. Hot water;
4. Discharge;
5. Minisphere valve;
6. DP0210 dechlorinator filter;
7. BravoCasa PRO IN;
8. Refillable CO2 cylinder;
9. Electric socket;
10. 3-way mixer 32016162/63;
11. Drip tray.

OVERALL DIMENSIONS EXPRESSED IN MM



Code	Width - A	Height - B	Depth - C
RF070	350	440	505
RF072	350	510	505

BRAVOCASA 4

Cooling fountain

with microfiltration with bacteriostatic action



CHARACTERISTICS

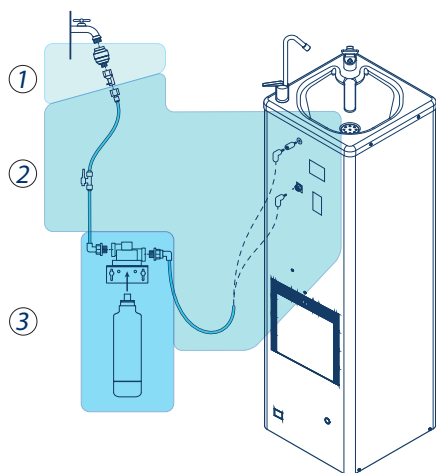
Cooling fountain ready for direct connection to the water mains, with activated carbon microfiltration system with bacteriostatic effect, part no. DP0220 for still water dispensing; ice bank with hermetically sealed tank with silver micro-welding with proven bactericidal action - rear water inlet: $\varnothing 8 - 3/8"$ F - outer casing: stainless steel - voltage supply: 230 Vac - 50/60 Hz

Code	Model	Flow rate lt/h	Microfiltration included	Tap version	€
RF046	BravoCasa 4	55	✓	cigno + zampillo + pedale	1.700,00

RECOMMENDED SPARE PARTS

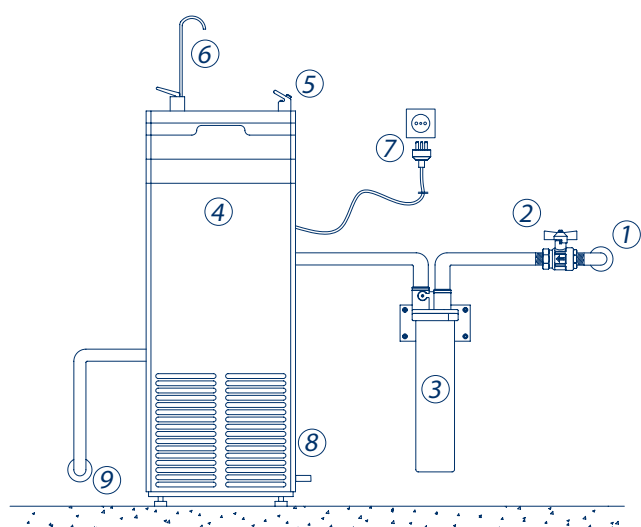
Code	Description	Q.ty per equipment	€
32016200	Bravo-Pro small Cartridge 10600 l SERVICE LIFE	1	73,00
32016202	Bravo-Pro medium Cartridge 16900 l SERVICE LIFE	1	98,00
46400005	Food grade pipe $\varnothing 8 \times 6$ for delivery connection to the meter	optional	7,00

EXAMPLE OF INSTALLATIONS SCHEME



Equipment legend

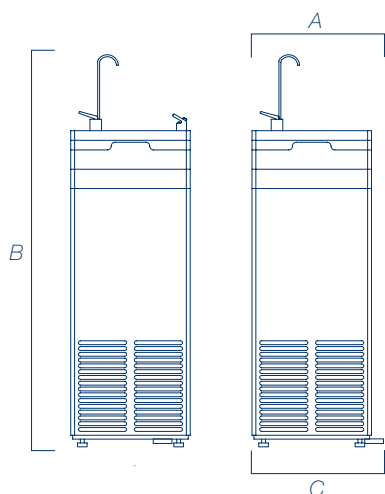
1. Complete anti-flooding block cod. 32016181;
2. Installation kit cod. 32016182;
3. Medium cartridge with head and fittings cod. DP0220.



Legend

1. Cold mains water;
2. Shut-off valve;
3. DP0220 dechlorinator filter;
4. BravoCASA 4;
5. Gush tap;
6. Swan neck tap;
7. Electric socket;
8. Water dispensing pedal;
9. Discharge .

OVERALL DIMENSIONS EXPRESSED IN MM



Code	Width - A	Height - B	Depth - C
RF046	310	980	310

UV DEBATERS

One of the most dangerous and undesirable agents in water intended for human consumption is microbial load.

There are various methods for water sterilization: thermal sterilization, chemical sterilization, physical sterilization and sterilization by ultraviolet rays (U.V.). Chemical sterilization (especially using chlorine compounds) has been the preferred solution for many years (and still is the preferred one) . Although, in some cases, chemical sterilization is actually the only possible solution, in many applications (including home ones) it is possible to avoid the many negative effects of this technique by switching to ultraviolet sterilization.

Chlorine compounds are capable of inactivating the microbial load through a series of chemical reactions that lead to alteration of the normal functionality of the bacterial structure (protein denaturation, alteration of cell permeability). This results in the death of microorganisms.

However, chlorine reacts with other substances found in water (humic acids, for example) to form secondary substances (chlorine derivatives) that are dangerous to human health. In addition, water is affected by an unpleasant smell and taste. In ultraviolet sterilizers, special lamps are capable of emitting radiations with a wavelength centred at 254 nm, that is selectively absorbed by the microorganism's DNA, causing its death. The main advantage of ultraviolet rays lies in the total absence of harmful products and chemicals.

A suitable mechanical filtration system must always be provided upstream of the ultraviolet lamp. Suspension particles not only provide an ideal means in which microorganisms can lurk, but also produce a "shadow cone" that prevents proper sterilization of the entire water volume.

It is therefore necessary to always provide a suitable filtration system upstream of the sterilizing lamp (filtration degree of at least 10 microns).

To summarise, ultraviolet treatment is a natural way to sterilize water; it also does not alter the taste or smell and does not lead to the formation of harmful derivatives.



ULTRA V

Debacterizers



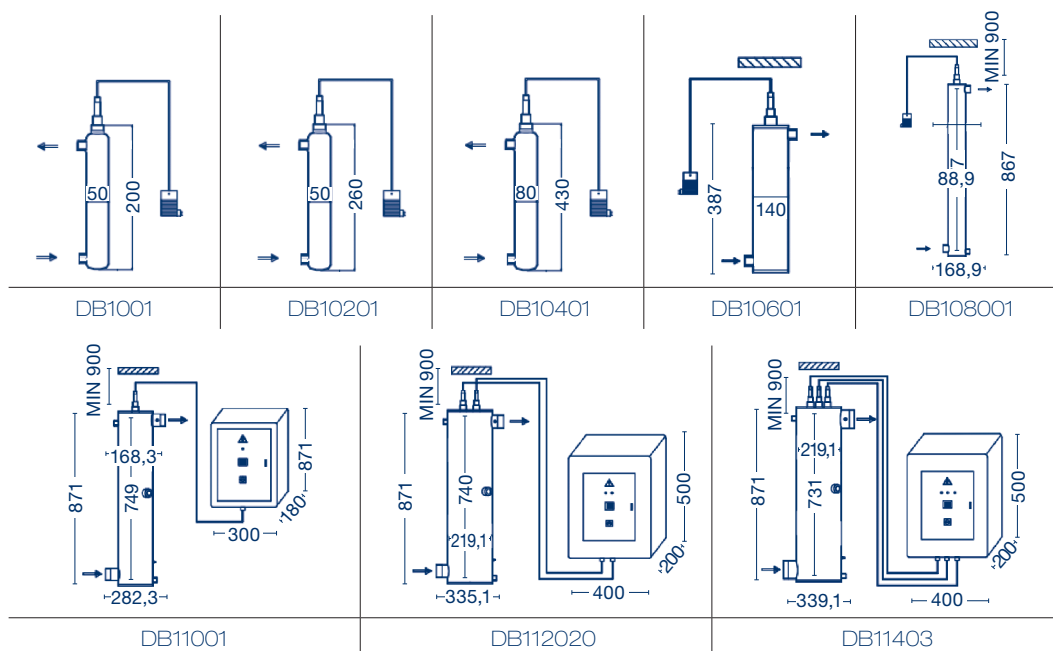
CHARACTERISTICS

Ultra-V debacterializers consist of a stainless steel debacterialization chamber where the UV emitting lamp is housed. Once the water enters the sterilizing chamber, it follows a path that allows it to obtain a sufficient quantity of U.V. rays to eliminate over 99.9% of the microbial load present.

Ideal tool to kill viruses and bacteria present in water, making them sterile without altering the water physical, chemical and organoleptic characteristics - Average lamp life: 8000 hours - Power supply: 230 V - 50 Hz

Code	Description	Connections	Flow rate lt/h	Bar	N° lamp x Watt	€
DB10001	Ultra-V 120	1/4" F	120	6	1x4	210,00
DB10201	Ultra-V 240	1/4" F	240	6	1x6	228,00
DB10401	Ultra-V 600	1/2" M	600	6	1x16	655,00
DB10601	Ultra-V 1000	1/2" F	1000	7	1x17	910,00
DB10801	Ultra-V 3000	1" F	3000	7	1x41	1.190,00
DB11001	Ultra-V 10000	2" M	10000	7	1x87	3.220,00
DB11202	Ultra-V 20000	2 1/2" M	20000	7	2x87	5.950,00
DB11403	Ultra-V 30000	3" M	30000	7	3x87	7.650,00

OVERALL DIMENSIONS EXPRESSED IN MM



Indicative dimensions

LEGIONELLA

What is Legionella ?

Legionella Pneumophila is a bacterium found in natural aquatic environments and can lurk in pipes, storage tanks and water distribution systems in general.

If duly controlled, bacteria do not represent a health risk, but their uncontrolled proliferation can generate epidemics that may even cause death, especially in vulnerable individuals (elderly, immunocompromised, and sick persons in general).

Applicable Regulations

Legislative Decree No. 81/08 provides for the assessment of biological risks in the workplace, and identifies the employer or the owner of an organization as the person civilly and criminally responsible in the case of a harmful event for the health of workers or users. The guidelines for the prevention and control of legionellosis (Approved in the State-Regions Conference in the session of 7 May, 2015), complying with the obligations imposed by Leg. Decree 81/08, provide for a LEGIONELLA RISK CONTROL PROTOCOL. The Protocol must be (MANDATORY) applied in every structure (both civil and industrial

– health, thermal, hospitality, industrial, residential facilities) where systems potentially at risk of legionellosis are installed.

What does the protocol envisage ?

Risk assessment

A legionella risk analysis is carried out for each system, in order to highlight the system criticalities. The analysis shall be performed by a skilled and professional technician, with documented experience. Based on the results obtained, a written plan will be prepared for self-control and maintenance of each system at risk (actions to be taken with particular reference to cleaning and disinfection procedures).

Risk management

Operations and procedures aimed at permanently removing or steadily containing the criticalities identified in the previous phase

Prevention (e.g. product dosing) and control measures and necessary treatments resulting from risk assessment

Equipment maintenance

The systems require regular maintenance, involving at least two annual inspections.

SOLUTION

With LEGIONELLA KIT,

we provide a complete service for the management of systems subject to the Legionella risk.

Acqua Brevetti uses qualified and skilled professionals for RISK ASSESSMENT preparation (paid service provided on request).

Authorised technical service centres for system scheduled maintenance. Complete range of water treatment equipment and products.





- **LEGIONELLA KIT**

SERVICES, EQUIPMENT AND CONSUMER PRODUCTS
FOR LEGIONELLA CONTROL AND PREVENTION

SIMPLY

Dosing station



✓ Products to use:
Ferrocid® 5280-S

CHARACTERISTICS

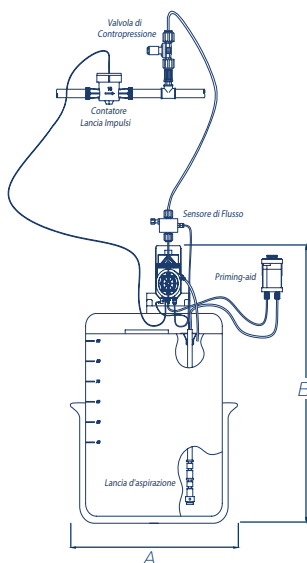
Simply dosing station for water system that provides a dosage proportional to the actual water consumption (a pulse emitter counter installed in the system is required).

Digital multifunction pump with PVDF pump body.

Pump flow rate: 6 l/h - pump head: 8 bar - power supply: 240Vac-50Hz

Code	Model	Volume lt	€
SD210025	SIMPLY 25 Complete - pulse emitter counter not included	25	1.350,00
SD210050	SIMPLY 50 Complete - pulse emitter counter not included	50	1.680,00
SD210100	SIMPLY 100 Complete - pulse emitter counter not included	100	1.700,00

OVERALL DIMENSIONS EXPRESSED IN MM



Description	Tank size - A	Total height - B
SIMPLY 25	600	450
SIMPLY 50	600	565
SIMPLY 100	700	705

CONTROL PANEL X3000

Redox control panel



✓ Wi-Fi connection include



CHARACTERISTICS

The CONTROL PANEL X3000 allows you to prevent the risks connected with legionella; The panel analyses water in the closed circuit, measures chlorine concentration using the REDOX probe and doses the product FERROCID® 5280 S (biocide). Equipped with probe holder, 1 diaphragm pump 2 l/h - 18 bar. Supply voltage: 230 V 50/60 Hz.

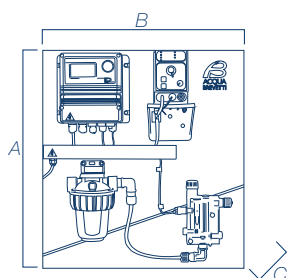
Code	Model	Pieces per pack.	€
SC100300	CONTROL PANEL X3000	1	3.800,00

GUIDELINES FOR CORRECT MAINTENANCE



Description	3 months	6 months	9 months	1 year
Ferrocid® 5280-S product	Tank level check Fill up if necessary	Tank level check Fill up if necessary	Tank level check Fill up if necessary	Tank level check Fill up if necessary
X3000 panel	General Operation check	General Operation check	General Operation check	General Operation check
Redox probe	Cleaning Replace if required	Cleaning Replace if required	Cleaning Replace if required	Cleaning Replace if required
Housing	Cleaning	Cleaning	Cleaning	Cleaning
Stainless steel cartridge filter	Cleaning	Cleaning	Cleaning	Cleaning

OVERALL DIMENSIONS EXPRESSED IN MM



Code	Height - A	Width - B	Depth - C
SC100300	600	650	310

COMPLETE TANK WITH BASIN



Code	Model	Volume lt	€
SD310025	SERV 30 EQUIPPED with assembled level probe	30	490,00
SD310050	SERV 60 EQUIPPED with assembled level probe	60	510,00
SD310100	SERV 120 EQUIPPED with assembled level probe	120	580,00

Notes: Product to dose: FERROCID® 5280 S - Checker® chlorine analysis for dosage check

CB-WE

Threaded - flanged impulse meter



Code	Model	Connections	Pulses per liter	Wheelbase mm	Working pressure Bar	Nominal flow m³/h	€
9900400001	CB	½"	4	110	16	1,5	103,00
9900400002	CB	¾"	4	130	16	2,5	114,00
9900400003	CB	1"	4	260	16	3,5	164,00
9900400004	CB	1¼"	4	260	16	5	175,00
9900400005	CB	1½"	4	300	16	10	297,00
9900400015	CB	2"	4	300	16	15	403,00
9900424063	WE	DN 50	1/100Lt - 1/1000Lt	200	16	15	589,00
9900424066	WE	DN 65	1/100Lt - 1/1000Lt	200	16	25	624,00
9900424069	WE	DN 80	1/100Lt - 1/1000Lt	225	16	40	658,00
9900424072	WE	DN 100	1/100Lt - 1/1000Lt	250	16	60	716,00
9900424077	WE	DN 150	1/1000Lt - 1/10000Lt	300	16	150	1.175,00
SC100	COUNTER MANAGEMENT CARD (Up to 4 counters)						108,00

Notes: Product to dose: FERROCID® 5280 S - Checker® chlorine analysis for dosage check

FERROCID® 5280 S

Multifunctional conditioner for sanitary water circuits



CHARACTERISTICS

Ferrocid® 5280-S is a liquid product based on a balanced mixture of chlorine derivatives, phosphates and silicates. The product performs its primary action as sanitizing agent against the accumulation of organic material (bacterial secretions and biofilm) within water transport and containment systems. Ferrocid® 5280 S has proven to be effective in preventing and removing material build-ups due to Legionella colonization. Ferrocid® 5280 S is prepared with raw materials complying with applicable regulations concerning chemical products used for treatment of water intended for human consumption.

Dosage and Use: Ferrocid® 5280-S should be used undiluted and not mixed with other chemicals. The product should be added at a high miscibility point.

Use: system cleaning and sanitizing > shock applications - 100 and 500 g/m³ are recommended

Use: prevention and maintenance systems > continuous dosing - 30-50 g/m³ (2-3.5 ppm Cl₂)

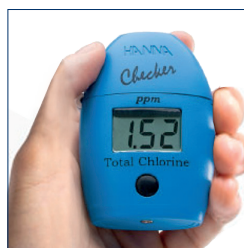
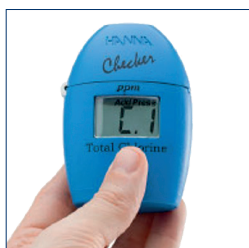
Code	Description	Kg. per pack.	Pieces per pack.	€
PC080	Kg. 20 tank	20	1	194,00

ANALYSIS KIT

Free chlorine measurement

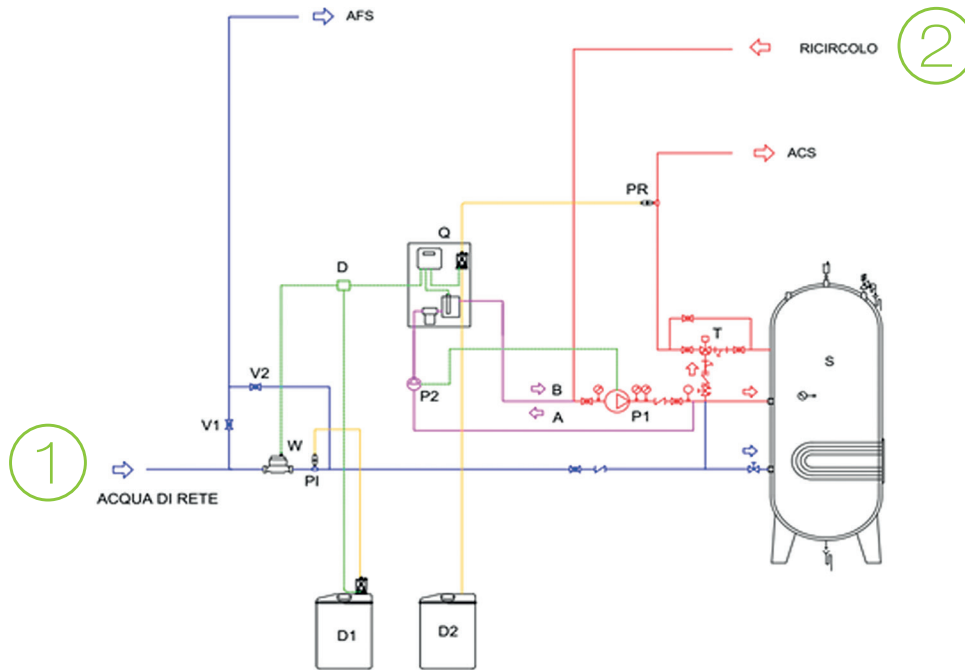


Code	Product	Unity	Pieces per pack.	€
48105049	CHECKER® TOOL Pocket colorimeter for measuring free chlorine Scale of values between 0.00 and 2.50 ppm (mg / L) Complete with 25 reagents in small bags	Box 1	1	134,00
48105059	REAGENT BAGS for CHECKER® tool free chlorine measurement	Box 1	25	31,00
48105009	DpD Chlorine Analysis Kit FERROCID® 4601 - FERROCID® 5280 S - DILURIT CAT	Box 1	1	43,00



CHECKER®,
quick and easy

INSTALLATION SCHEME



Legend

D1. Dosing station for chlorocopertion; D2. Dosing station on DHW recirculation;
 W. Pulse emitter counter;
 D. Flowmeter signal splitter; P1. DHW recirculation pump;
 P2. Recirculation pump for analysis purposes;
 S. Boiler;
 Q. Recirculation water analysis system;
 A. Water sampling for Redox system analysis;
 B. Water return from analyzer;
 PR. Injection point on recirculation;
 PI. Injection point for boiler liquid top-up;
 V1 - V2. Shut-off valves for system sanitation.

1

DOMESTIC HOT WATER CIRCUIT → DISPOSABLE WATER → PRODUCTS:

Simply Dosing Station + Pulse Counter + Checker® chlorine measuring device + Ferrocid® 5280-S

2

DOMESTIC HOT WATER → SYSTEM WITH RECIRCULATION → PRODUCTS:

Control Panel X3000 + tank complete SER/V + Dosing station Simply + pulse lance counter + instrument Checker® chlorine measurement + counter management board SC100 + Ferrocid® 5280-S

Please remember that any anti-legionella programme that is not properly managed and monitored will not be effective.

AUXILIARY TREATMENT LINES AND ACCESSORIES

BRAVOSAN

SANITIZING SOLUTIONS FOR HANDS AND SURFACES

AUXILIARY TREATMENT LINES

THE PRESENCE OF VARIOUS SUBSTANCES GIVE WATER UNDESIRE CHARACTERISTICS; IN THESE CASES, IT MAY BE NECESSARY TO ADJUST THE WATER CHARACTERISTICS BY ADDING SPECIAL CHEMICALS THROUGH ACCURATE AND RELIABLE DOSING SYSTEMS.

ANALYSIS KIT AND ACCESSORIES





BRAVOSAN GEL

Sanitizing gel



CHARACTERISTICS

Our hands are exposed every day to handshakes and contact with the external environment, promoting bacteria and dirt build-ups. For this reason, it is important to protect yourself from contamination by washing your hands often and, when this is not possible, it is advisable to use sanitizing gels that clean without using water.

BRAVOSAN GEL is a hydro-alcoholic solution with 70% alcohol content, enriched with Aloe and Provitamin B5, capable of evaporating quickly when it comes in contact with air, neutralizing bacteria and some viruses from the your hands' surface.

Code	Product	Unity	Pieces per pack.	€
PC610	BravoSan Gel	100 ml pack	8	6,20
PC614	BravoSan Gel with dispenser	500 ml pack	8	14,50

BRAVOSAN SPRAY

Sanitizing spray



CHARACTERISTICS

BRAVOSAN SPRAY is used for a rapid sanitation of all surfaces, such as: desks, tables, PC keyboards, handles, various objects, in the catering sector, hotels, schools and institutes in general; it is also suitable to sanitize the internal filters and fins of air conditioners.

BRAVOSAN SPRAY dries quickly without rinsing, it is a hydro-alcoholic solution with 75% alcohol content, enriched with Pine fragrance.

Code	Product	Unity	Pieces per pack.	€
PC618	BravoSan Spray	Spayer 750 ml	12	15,00

FERROLIX® 8343

Multifunctional treatment for steam boilers



CHARACTERISTICS

Ferrolix® 8343 is a multifunctional product based on organic deoxygenated agents, scale inhibitors and dispersants, capable of inhibiting corrosion in boiler water and steam/condensate lines.

Ferrolix® 8343 reacts with oxygen present and promotes the formation of a protective magnetite film on the metal walls. The product acts as a CO₂ neutraliser, raising the pH of steam and condensate so as to keep it within an optimal range to provide anti-corrosion protection. The product has an excellent anti-fouling capacity against the hardness salts that may inadvertently enter the boiler.

Ferrolix® 8343 is used in water conditioning systems for low and medium pressure generators, as well as in hot and superheated water circuits.

Ferrolix® 8343 is dangerous when transported and therefore falls under the ADR requirements.

Technological Use.

Code	Description	Kg. per pack.	Pieces per pack.	€
PC070	Kg. 20 tank	20	1	261,00

KIT DI ANALISI

Code	Description	€
48105031	Analysis Kit for Ferrolix® 8343	104,00

FERROFOS® 8446

Multifunctional open circuit treatment



CHARACTERISTICS FERROFOS® 8446

Ferrofos® 8446 is a liquid based on organic phosphonates, polycarboxylic dispersants and azoles which give the product a high anti-scaling, dispersing and anticorrosive power against copper alloy materials. The product is also suitable for water rich in suspended solids.

Ferrofos® 8446 prevents the formation of encrusting deposits through distortion of crystal lattice (threshold effect). Beyond the stabilization limits, an amorphous, non-fouling precipitate is formed. This can be easily dispersed through normal purging operations.

The product has an anticorrosive effect on copper, based on the formation of a protective film.

Ferrofos® 8446 is dangerous when transported and therefore falls under the ADR requirements.

Technological Use.

Code	Description	Kg. per pack.	Pieces per pack.	€
PC032	Kg. 20 tank	20	1	220,00

ANALISYS KIT

Code	Description	€
48105042	Analysis Kit for Ferrofos® 8446	228,00

CETAMINE® F 360

"Organic" all-in-one protective product for hot and cold closed systems containing aluminium and copper alloys



CHARACTERISTICS

It is an organic liquid product based on filming amines, alkalisating agents, inhibitors for copper and its alloys. The product is used for treating closed cooling circuits and hot water circuits.

Cetamine® F 360 acts through the following mechanisms:

1. Formation of a protective film through adsorption of film-forming amine on the metal surface.
2. Adjusting the water pH in the range 7 to 8.5 helps ensure proper passivation of aluminium surfaces.
3. Prevention of deposit build-ups.
4. Dispersal of deposits, so that they can be more easily evacuated. Cetamine® F 360 is a product for industrial uses.

Cetamine® F 360 is dangerous when transported and therefore falls under the ADR requirements.

Technological Use.

Code	Description	Kg. per pack.	Pieces per pack.	€
PC058	Kg. 20 tank	20	1	227,00

FERROCID® 4601

Slimicide and preservative product for evaporative towers



CHARACTERISTICS

Ferrocid® 4601 is a patented stabilized bromine solution, specifically developed for treatment of water circuits in both commercial and industrial fields.

It is a liquid mono-component product that develops bromine, which leads to excellent results in circuits where alkalinity is higher or where high concentration cycles are handled, or in circuits characterized by high organic mass and/or contamination due to industrial processes.

Vs. other biocide treatment systems, a dosing pump is sufficient to dose the product. Ferrocid® 4601 is very effective in controlling biofilm, the thin layer developed due to bacterial growth, which is also a reservoir for Legionella.

Ferrocid® 4601 is dangerous when transported and therefore falls under the ADR requirements.

Technological Use.

Code	Description	Kg. per pack.	Pieces per pack.	€
PC046	Kg. 20 tank	20	1	312,00

KIT DI ANALISI

Code	Description	€
48105009	DpD chlorine	43,00

KURITA® F-5106

Slimicide for non-oxidising cooling circuits



CHARACTERISTICS

Kurita® F-5106 is a broad-spectrum biocidal product. Thanks also to its effectiveness in removing biofouling, it is widely used in evaporative tower cooling circuits and in all systems where environmental conditions help the proliferation of this type of deposit.

It provides excellent control over the growth of bacteria, algae and fungi, even at low dosages. Excellent effectiveness in preventing biofouling growth.

Effective in controlling Legionella Pneumophila, responsible for Legionellosis.

Effective in the typical pH range of evaporative towers: 6-9. It also has no oxidizing properties, it is therefore not dangerous for metal surfaces and is also an easy liquid to handle.

Kurita® F-5106 is dangerous when transported and therefore falls under the ADR requirements.

Technological Use.

Code	Description	Kg. per pack.	Pieces per pack.	€
PC059	Kg. 20 tank	20	1	220,00

KIT DI ANALISI

Code	Description	€
48105044	Analysis Kit for Kurita® F-5106	104,00

DILURIT-CAT

Oxidising additive based on sodium hypochlorite



CHARACTERISTICS

Dilurit-Cat is an aqueous solution of sodium hypochlorite ideal for treating technological waters (waste water, cooling water, heating water). Dilurit-Cat can be added to water to facilitate the removal of iron, manganese, ammonia and organic residues from water. Dilurit-Cat helps eliminate deposits in tanks and pipes and prevents deposit formation. Dilurit-Cat is dangerous when transported and therefore falls under the ADR requirements.

Technological Use.

Code	Description	Kg. per pack.	Pieces per pack.	€
PC052	Kg. 20 tank	20	1	75,00

KIT DI ANALISI

Code	Description	€
48105009	Kit analisi cloro DpD	43,00

OSMOTECH 1135

Anti-scaling treatment for osmosis membranes



CHARACTERISTICS

Osmotech 1135 is a liquid product with a high anti-scaling and dispersing power based on phosphonic acid derivatives and polycarboxylic acids. The product is specific for systems in which water is characterized by high hardness values and is rich in suspended solids.

Optimal pH values for operations range between 7 and 10.

The product is neither volatile nor flammable, does not contain nitrogen and should only be used for industrial purposes. It is certified by the KIWA-ATA Group (n° K44434/02) as product suitable for drinking water in compliance with the "KIWA Regulations for ATA Product Certification", one of the most restrictive European regulations applicable to water intended for human consumption.

The product is NSF approved.

Osmotech 1135 is dangerous when transported and therefore falls under the ADR requirements.

Technological Use.

Code	Description	Kg. per pack.	Pieces per pack.	€
PC090	Kg. 20 tank	20	1	210,00

LABUFLOC® 01650

Coagulant treatment by filtration



CHARACTERISTICS

Labufloc® 01650 is used as a primary coagulant for conditioning of mass filters, mainly used in the pre-treatment of membrane systems.

It can also be used for treating surface and waste water.

Using Labufloc® 01650, inorganic coagulants can be partially replaced.

Labufloc® 01650 complies with UNI EN 1409 European standards: "Chemicals used for treatment of water intended for human consumption - Polyamines".

Labufloc® 01650 is not dangerous when transported and therefore does not fall under the ADR requirements.

Drinking water use.

Code	Description	Kg. per pack.	Pieces per pack.	€
PC094	Kg. 20 tank	20	1	279,00

KIT SANITY

Linea sanificante



CHARACTERISTICS

Sanitizing product for sanitization processes. SANITY KIT uses ZEP FS OXY - SAN (concentrated solution of hydrogen peroxide and stabilizing agents) as sanitizer.

SANITY KIT is used for regular cleaning and sanitizing of water treatment equipment such as: filters, metering pumps, coolers, taps and dispensers and internal components of water treatment equipment in general.

During operation of these systems, organic deposits may build up and alter the water quality.

Regular cleaning and sanitizing of the equipment allows the systems to be safely used.

Code	Description	Unity	€
48170005	Kit Sanity	4 bottiglie da 1 Kg	98,00

ANALYSIS KIT

Code	Description	€
48105016	Analysis Kit for Sanity Kit - (Peroxides) 100 strips for proper sanitization check	76,00

ANALYSIS KIT



Code	Description	No. of pieces in pack	€
48105001	Hardness analysis kit	1	28,00
48105007	Ph analysis kit - AZ® 6000 - AZ® 600	1	35,00
48105066	Analysis kit AZ® 100	1	75,00
48105019	Boiler alkalinity analysis kit	1	41,00
48105006	Iron analysis kit 0.5 - 15 ppm scale	1	60,00
48105008	Ammonia analysis kit	1	46,00
48105015	Colorimetric manganese analysis kit 0.05 - 1.5 ppm	1	85,00
48105031	Sulphite analysis kit 10 ppm tit.	1	104,00
48105020	Kit unico reagente	1	14,00

MEASURING INSTRUMENTS



Code	Description	No. of pieces in pack	€
48105023	Ph-meter with non-replaceable electrode	1	185,00
48105025	Solution kit for calibrating the Ph 7 Ph-meter	1	40,00
48105034	Solution kit for calibrating the Ph 4 Ph-meter	1	40,00
48105024	Pocket Conductivity Meter	1	146,00
48105026	Conductivity calibration solution Kit	1	74,00
48105029	Antifreeze product measuring refractometer	1	218,00
48105062	Ph meter Combo tester, conductivity, tds	1	440,00

WARNING

Due to the instability of the commodities market,
this price list may be subject to changes without prior notice.

Characteristics and specifications may be changed without prior notice. Further technical information is available on our website www.acquabrevetti.it.

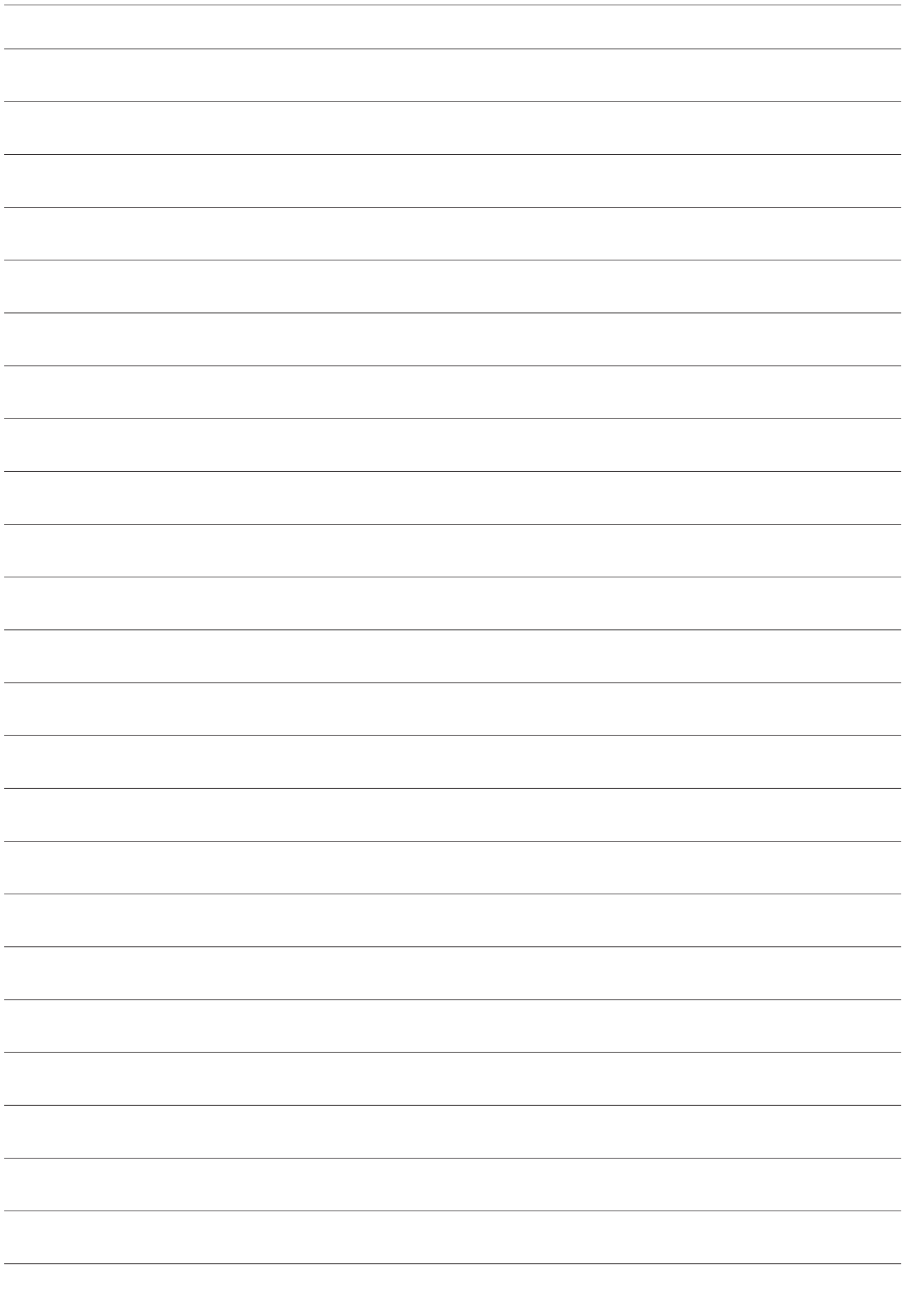
No claims due to printing errors will be accepted.

Illustrations, data and photos may vary due to our continuous product improvement programme.


Pursuant to the law, it is forbidden to reproduce, even partially, this catalogue-price list which is the sole property of Acqua Brevetti SRL.

© Copyright 2022 Acqua Brevetti SRL





*Treating water is
useful and convenient*



Authorized dealer

ACQUA BREVETTI SRL

Via Molveno, 8 - 35035 MESTRINO (PD) - ITALY

Tel. +39 049.8974006 - Fax +39 049.8978649

www.acquabrevetti.it - www.acquasil.it

info@acquabrevetti.it

