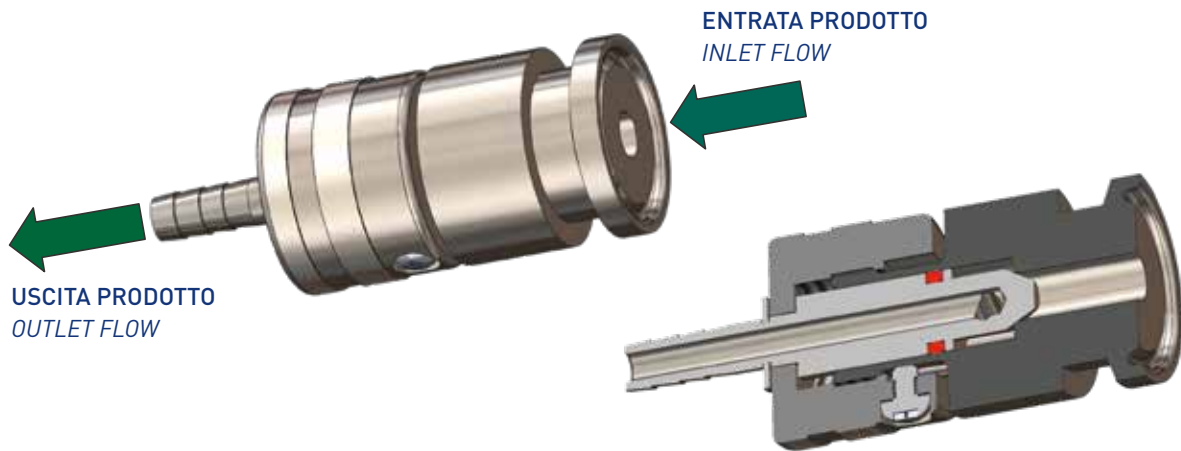


COD. RPS4-TC1/2"-PG-6

Attacco clamp 1/2" uscita prelievo PG
1/2" clamp connection PG sampling outlet



FINITURE

SURFACE FINISH

Esterno lucido specchio
Interno Ra <0,4 micron

Outside mirror polished
Inside Ra <0,4 micron

A richiesta con attacco ingresso a saldare
Upon request with inlet connectin weld

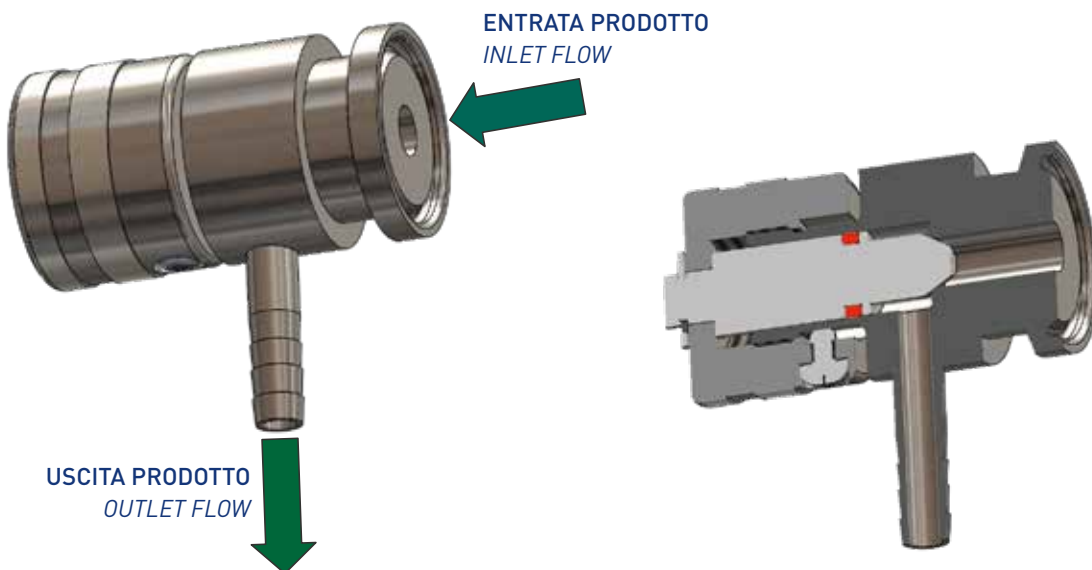
CONDIZIONI MAX DI ESERCIZIO MAX WORKING CONDITIONS

PRESSIONE
PRESSURE
10 Bar

TEMPERATURA
TEMPERATURE
-30°C / + 150°C

COD. RPS4-TC1/2"-PG90°-6

Attacco clamp 1/2" uscita prelievo PG a 90°
1/2" clamp connection PG 90° sampling outlet



*Materiale in alternativa 1.4435
*Material alternatively 1.4435