

> PR SERIES PUMPS

THE BALANCE BETWEEN HIGH PERFORMANCE AND COMPACT DIMENSIONS MAKE IT THE MOST POPULAR MODEL ON THE MARKET.

Quiet and highly reliable, they are also appreciated for their wide customisation possibilities.

Available in brass or stainless steel, with or without bypass valve, with various types of seals (NBR, EPDM or FKM) and connections to the motor. Flow rates from 60 to 500 l/h, with pressures up to 18 bar. Can be combined with standard IEC 63, 71 and 80 motors or with motors with special 48 YZ connection.

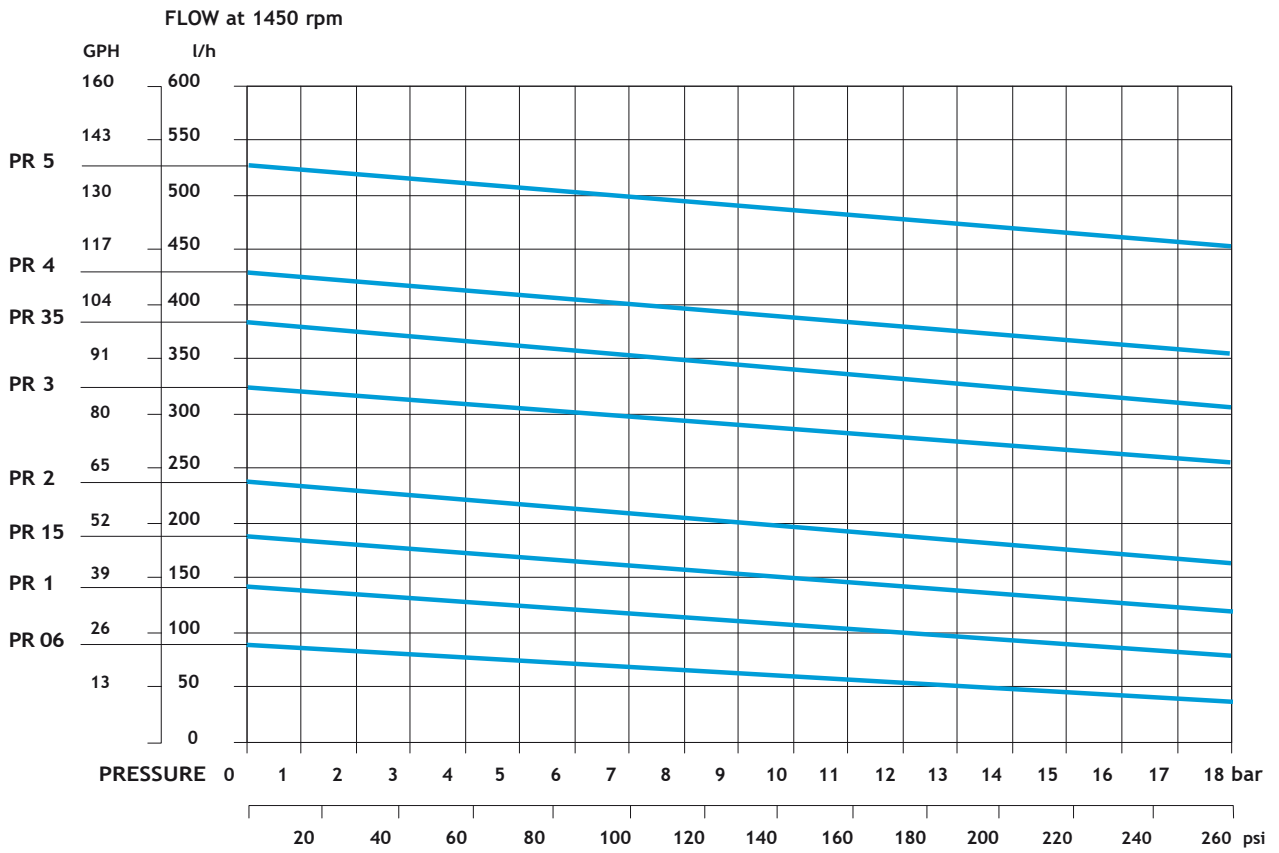


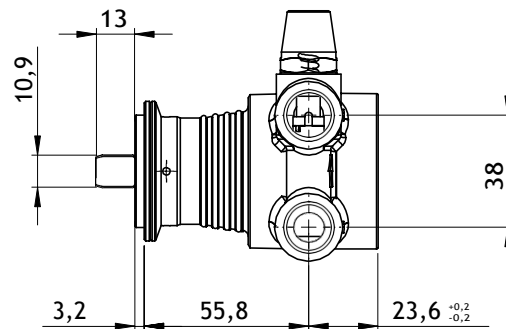
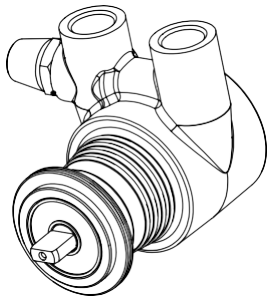
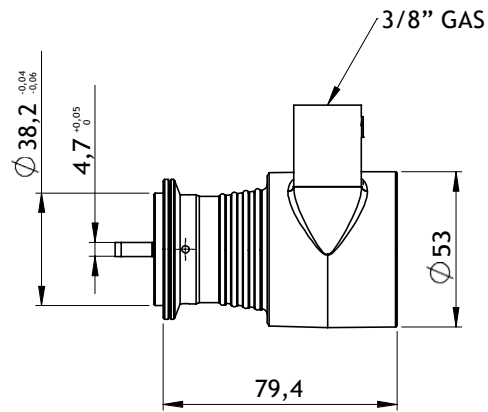
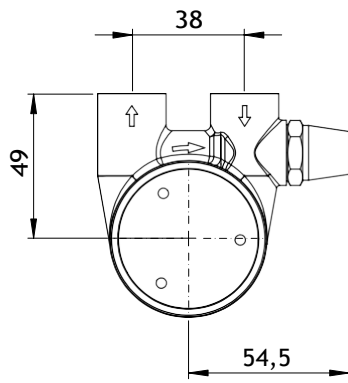


APPLICATIONS

- > Beverage dispensers
- > Coffee machines
- > Water carbonators
- > Cooling circuits
- > Chemical mixtures
- > Reverse osmosis
- > Water filtration and micro-filtration
- > Water, perfume or pesticide misting systems

>CHARACTERISTIC CURVE PR SERIES





PUMP CODE

serie PR	portata (L/h) a 1400 rpm				portata (GPH) a 1750 rpm			
	0 bar	5 bar	9 bar	14 bar	0 psi	75 psi	130 psi	200 psi
PR 06	90	78	63	55	29	25	21	18
PR 1	125	115	110	85	41	37	36	28
PR 15	175	160	150	135	57	52	49	44
PR 2	230	220	205	185	75	72	67	60
PR 3	320	310	295	280	104	101	96	91
PR 35	370	355	340	330	120	116	111	107
PR 4	420	405	390	380	137	132	127	124
PR 5	500	490	475	458	163	159	155	149

Indicative flow rates referring to :
pump without bypass, motor with constant
speed at 1400 rpm, water at 20°C (68°F)

Indicative flow rates referring to :
pump without bypass, motor with constant
speed at 1750 rpm, water at 20°C (68°F)