

BRAVOCALOR

Manual cleaning filter



Finality

Often foreign bodies such as pebbles, rust scales and other kind of oxides, metal trimmings are present in the water and can damage the water distribution line (pipes, valves, mixers, flow meters etc..).

Water filtration is essential to protect closed loop heating systems where mud, oxide scales and organic residues may form and cause the clog and damage of static and moving parts of the devices.

BravoCALOR is a manual cleaning filter suitable to be used at high temperature, small sized and equipped with a discharge valve.

Bravo CALOR is available in two version with different filtration rating: 89 micron, 500 micron (hot water, technological use).

Operation

BravoCALOR is equipped with a stainless steel filtering cartridge AISI 304 with two standard filtration rating: 89 micron (drinking water) and 500 micron (hot water).

BravoCALOR is available also in the version with pressure gauge (0-25 bar scale) that allows to monitor continuously the pressure value in the plant.

The cleaning of the filter is easy to execute as it simply requires the opening of the bottom valve. In order to realize a thorough cleaning of the filtering element it is enough to put the filter in by pass position, open the bowl, pull out the filter element and submit it to the most appropriate washing cycle. BravoCALOR can operate at temperatures up to 90°C and 16 bar pressure.

Key features

BravoCALOR is completely made in brass so that it is suitable also for the filtration of hot water (up to 90°C) and at high pressure (up to 16 bar). The cartridge is made in stainless steel.

BravoCALOR is available also in the with pressure gauge version that allows to monitor the value of the water pressure.

Intended use, use conditions

BravoCALOR has been specifically designed for the filtration of cold and hot water in civil and technological applications and it may also be used to protect cold water distribution line, cold water and hot water closed loop systems, heating systems, feeding of heating and cooling systems, process water.

Maintenance and duration

BravoCALOR requires the periodic cleaning operation. This operation implies the opening of the discharge valve for some seconds.

BravoCALOR must be included in the periodic sanitization program planned for the distribution system (who has built the distribution system is in charge of this planning). As a consequence any time the distribution system is sanitized BravoCALOR must be sanitized too. For a proper maintenance two annual inspections are recommended.

Installation

Install in agreement with local regulations. Install only in hygienically suitable places.

BravoCALOR should be installed upstream of the appliance to be protected with an adequate by pass system preventing the filter from working in case of need. Anyhow, before the installation it is advisable to refer to the *Assembly and Installation Manual* supplied with the device.

Warnings

Cleaning and self-cleaning filters are protection filters and they are not suitable for the filtration of water containing silt, large amounts of sand and/or suspended material. In these cases it is necessary to use other types of filters.

Raw water

BravoCALOR has been designed to treat only drinking water.

Compliance and Regulatory references

Acqua Brevetti 95 s.r.l. works with a Quality System certified in compliance with the requirements of the UNI-EN ISO 9001:2008 with certificate 501007368 issued by TÜV Italy s.r.l..

Endowment

BravoCALOR is packaged in a plastic bag put inside a paperboard box. The standard endowment

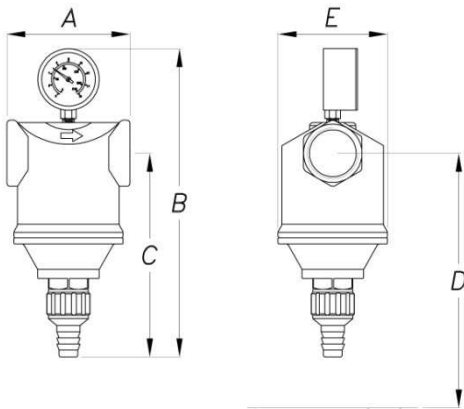
includes: filter instruction manual (including the conformity declaration), warranty certification.

Performances and tecnica datasheet

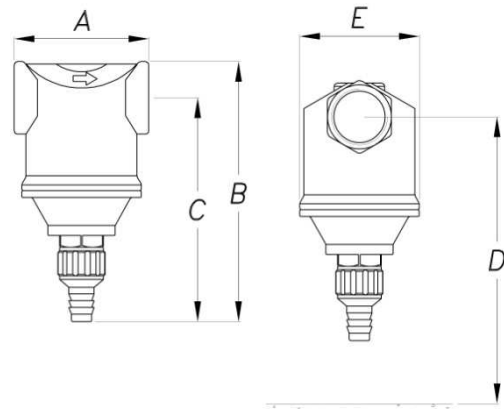
BravoCALOR - filtration rating 500 micron				
Code – filter with pressure gauge		FT200	FT202	FT204
Code – filter without pressure gauge		FT210	FT212	FT214
	Units			
Connections	DN	½" F	¾" F	1" F
Flow rate ($\Delta P=0.2$ bar)	m ³ /h	2,2	2,4	5,0
Flow rate ($\Delta P=0.5$ bar)	m ³ /h	3,4	4,1	8,1
Filtration rating	micron	500		
Min/max working pressure	bar	1.5 - 16		
Min/max water temperature	°C	5 - 90		
BravoCALOR – filtration rating 89 micron				
Code – filter with pressure gauge		FT220	FT222	FT224
Code – filter without pressure gauge		FT230	FT232	FT234
	Units			
Connections	DN	½" F	¾" F	1" F
Flow rate ($\Delta P=0.2$ bar)	m ³ /h	2,0	2,2	5,0
Flow rate ($\Delta P=0.5$ bar)	m ³ /h	3,0	4,0	8,1
Filtration rating	micron	89		
Min/max working pressure	bar	1.5 - 16		
Min/max water temperature	°C	5 - 90		
Dimensions				
Width (A)	mm	80	80	80
Total height (B)	mm	205* 160**	205* 160**	205* 160**
Height at connection (C)	mm	132	132	132
Distance from ground (D)	mm	300	300	300
Depth (E)	mm	71	71	71

*Height for BravoCALOR with pressure gauge (cod. FT200, FT220, FT202, FT222, F204, FT224).

**Height for BravoCALOR without pressure gauge (cod. FT210, FT212, FT214, FT230, FT232, FT234).

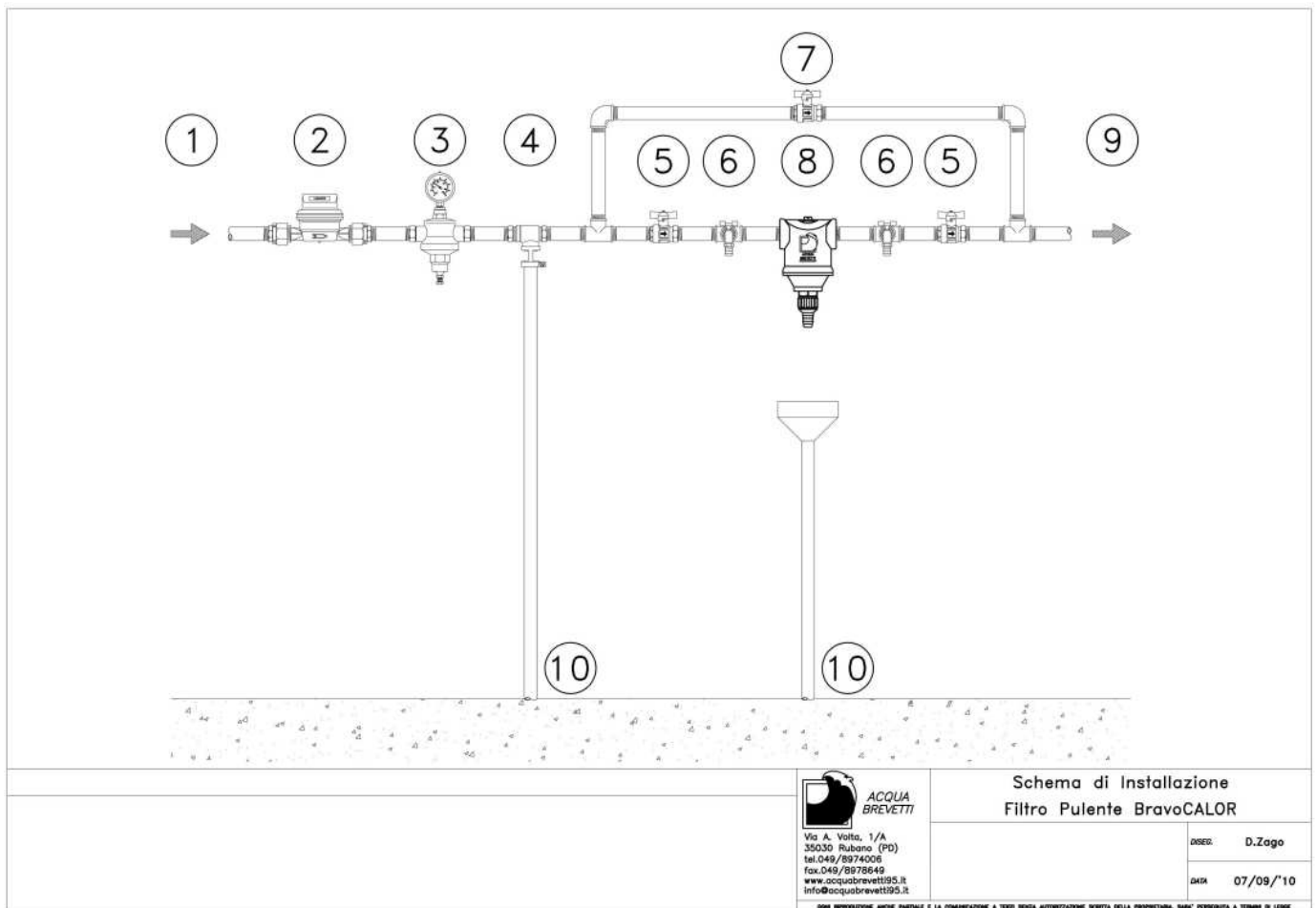


BravoCALOR with pressure gauge
cod. FT200, FT220, FT202, FT222, FT204,
FT224



BravoCALOR without pressure gauge
cod. FT210, FT230, FT212, FT232, FT214,
FT234

Installation scheme



Legend

1. Water inlet • 2. Flow meter • 3. Pressure reducer • 4. Backflow preventer • 5. Shut off valve • 6. Sampling tap • 7. By-pass valve • 8. BravoCALOR filter • 9. Cold water outlet • 10. Drain.



ACQUA BREVETTI SRL

APPARECCHIATURE TRATTAMENTO ACQUA
Via Molveno, 8 – 35035 Mestrino (PD)
Tel. 049/8974006 – Fax 049/8978649
e-mail: info@acquabrevetti.it
sito web: www.acquabrevetti.it



This Technical Datasheet is based on the experience of Acqua Brevetti s.r.l. and it is applied to the use in compliance with the instruction supplied by the manufacturer; any use different from those described must be authorized in a written form from Acqua Brevetti s.r.l. For a regular maintenance it is advised to enter into a contract with an authorized technical service. Acqua Brevetti s.r.l. reserves the right to any change to its products without any notification. The reproduction of this document or part of this document is forbidden. This document is property of Acqua Brevetti s.r.l.

Trattare l'acqua è utile e vantaggioso