

BRAVOFIL

Semi-automatic self cleaning filter with date marker



is a self-cleaning filter with an innovative combined cleaning system composed by two different actions: brushing and high speed back-wash with filtered water of the filtering cartridge. This method allows an efficient and thorough cleaning of both the filtering cartridge and the filter bowl. The cleaning is started by rotating clockwise the upper green knob: this movement activates, at each click, the brushing and the opening of the drain valve. At the same time the water entering the filter is deviated through a back-washing auxiliary filtering cartridge and forced by a turbo jet through the filtering cartridge. The turbo jet increases the backwash water velocity assuring the effective removal of impurities retained by the filter cartridge. The automatic opening of the discharge valve (located at the bottom of the bowl) creates a tangential high-speed flow which removes impurities accumulated in the bowl during working.

Key features

BravoFIL is equipped with a 360° (with 4 90° steps) adjustable connection plate made of brass resistant to mechanical stress and tensions which usually lead to failure of plastic heads.

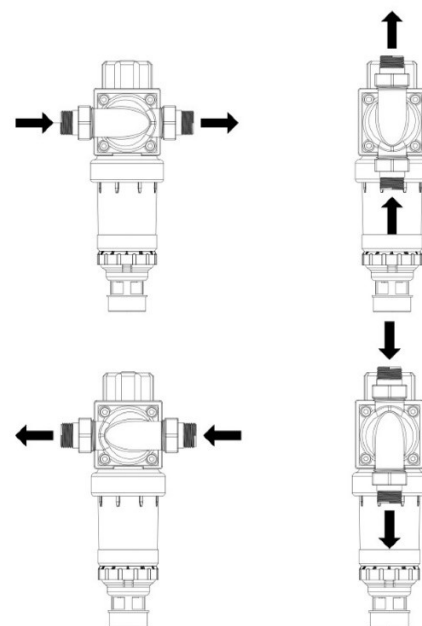
Finality

Impurities such as sand, rust flakes, lime deposits and coarse material can damage the water distribution line and household appliances (pipes, valves, mixers, faucets, washing machines, etc.). The installation of a protection filter is the most simple and efficient alternative to avoid such problems.

BravoFIL is a semi automatic self-cleaning filter with 360° (with 4 90° steps) adjustable connection plate, complete with a built-in non-return valve. The cleaning system comprises brushing and back-washing of the filtering cartridge and drain of dirt. BravoFIL is designed with a standard filtration rating of 89 micron which retains coarse impurities from water preventing them from damaging the system.

Operation

Raw water entering BravoFIL flows from the outside toward the inside of the filtering cartridge. BravoFIL



BRAVOFIL

Semi-automatic self cleaning filter with date marker

In the adjustable connection plates it is housed a non-return valve which allows the filter back-washing without the risk of pressure surge in the main water line. BravoFIL is equipped with an auxiliary cartridge for the filtration of water during back-wash. This precaution allows to perform the filter cleaning always with clean water and supplying continuously filtered water to users. The head of the filter is made in acetalic resin and the vessel, equipped with the discharge valve, is made in Trogamid® (high-strength polyamide). The filtering surface is in stainless steel soldered on a stretched wire netting. The particular structure of the filtering cartridge makes it resistant to mechanical shocks and pressure gradients eliminating deformation and crushing of the filtering cartridge.

BravoFIL is equipped with a cover for drain and a calendar date maker.

The standard filtration rating of BravoFIL is 89 microns; other filtration ratings (30, 50, 150 microns) are available upon request.

On request it is possible to supply the brushes of the filter's bowl with a silver wire, for a more targeted bactericidal action.

Intended use, use conditions

BravoFIL has been specifically designed for the filtration of cold drinking water predominantly in civil applications but it may also be used for the protection of water distribution lines in technological applications (heating and cooling systems, industrial installations, etc.).

Maintenance and duration

BravoFIL requires the periodic cleaning operation. BravoFIL must be included in the periodic sanitization program planned for the distribution system (who has built the distribution system is in charge of this planning). As a consequence any time the distribution system is sanitized BravoFIL

must be sanitized too. For a proper maintenance two annual inspections are recommended.

Installation

Install in agreement with local regulations. Install only in hygienically suitable places.

BravoFIL should be installed in the cold water line upstream of the appliance (boiler, heat exchanger, etc.) to be protected. Do not install in the hot water line or downstream of the appliance to be protected. Install by-pass valves. Read the Installation Manual supplied with BravoFIL.

Warnings

Cleaning and self-cleaning filters are protection filters and they are not suitable for the filtration of water containing silt, large amounts of sand and/or suspended material. In these cases it is necessary to use other types of filters.

Raw water

BravoFIL has been designed to treat only drinking water.

Conformity and Regulatory references

Acqua Brevetti applies a Quality Management System certified according to UNI EN ISO 9001 regulation, as per certificate issued by TÜV Italia SRL.

The equipment complies with the Italian D.M. 174/04 and D.M. 25/12.

Endowment

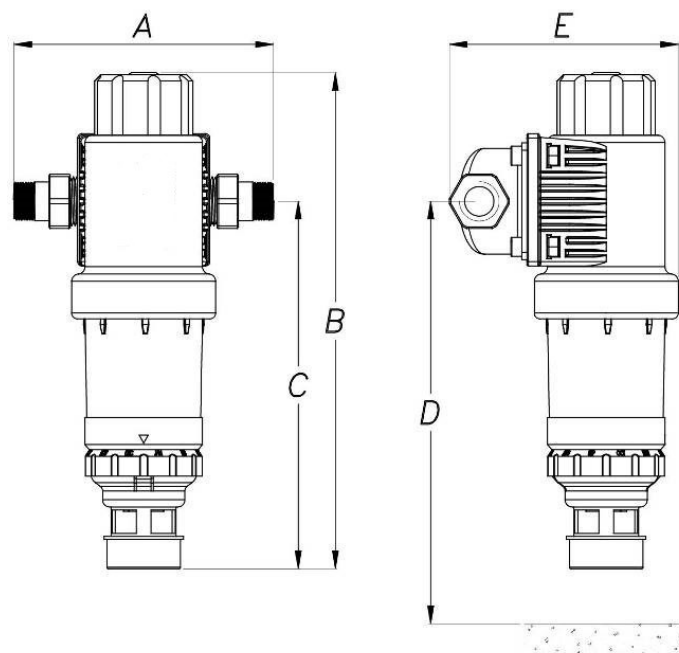
BravoFIL is packaged in a plastic bag put inside a paperboard box. The standard endowment includes: BravoFIL filter, plastic bag with N°2 nuts and N°2 tailpieces, instruction manual (including the conformity declaration), warranty certification.

BRAVOFIL

Semi-automatic self cleaning filter with date marker

Performances and tecnica datasheet

	Units	FT020	FT022	FT024
Connections	DN	¾" M	1" M	1"¼ M
Flow rate ($\Delta P=0.2$ bar)	m ³ /h	2.0	2.7	3.0
Flow rate ($\Delta P=0.5$ bar)	m ³ /h	3.2	4.5	5.0
Filtration rating	micron	89		
Min-max working pressure	bar	1.5 - 10		
Min-max water temperature	°C	5 - 30		
Min-max room temperature	°C	5 - 40		
Dimensions				
Width (A)	mm	177	179	190
Total height (B)	mm	350	350	350
Height at connection (C)	mm	264	264	264
Distance from ground (D)	mm	500	500	500
Depth (E)	mm	145	145	145

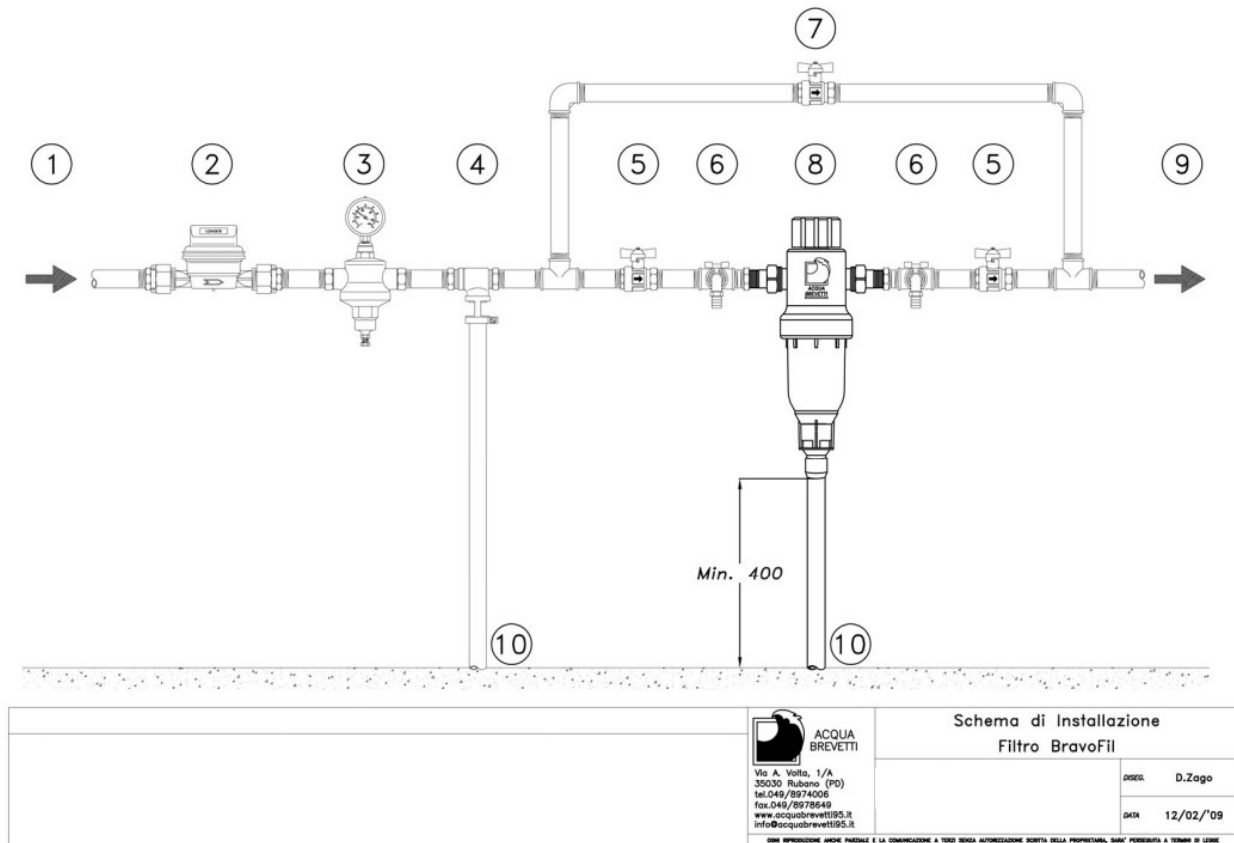


BravoFIL
cod. FT020, FT022, FT024

BRAVOFIL

Semi-automatic self cleaning filter with date marker

Installation scheme



Legend

1. Water inlet • 2. Flow meter • 3. Pressure reducer • 4. Backflow preventer • 5. Shut off valve • 6. Sampling tap • 7. By-pass valve • 8. BravoFIL filter • 9. Cold water outlet • 10. Drain.